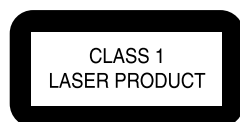


Service
Service
Service



CL 26532105_000.eps
280802

Service Manual



Contents

	Page
1 Technical Specs and Connection Facilities	2
2 Safety Instructions, Warnings, and Notes	3
3 Directions for Use	4
4 Mechanical-, Dismantling Instructions, and Service Hints	18
5 Diagnostic Software, Trouble Shooting and Test Instructions	21
6 <i>Block-, Wiring Diagram and Testpoint Overview</i>	
Block Diagram	41
Wiring Diagram	42
Testpoint Overviews	43
7 <i>Electrical Diagrams and Print-Layouts</i>	<i>Diagram PWB</i>
Power Supply Unit	46
AV Board: SYS Clk & Control (Diagram A1)	47 53-56
AV Board: Upsampling DAC (Diagram A2)	48 53-56
AV Board: Audio DAC (Diagram A3)	49 53-56
AV Board: Curr to Volt. Converter (Diagram A4)	50 53-56
AV Board: Audio (Diagram A5)	51 53-56
AV Board: Video & SCART (Diagram A6)	52 53-56
Front Board: Display (Diagram D)	57 58-61
P-Scan Board: Line Doubler (Diagram P1)	62 65-70
P-Scan Board: Encoder (Diagram P2)	63 65-70
P-Scan Board: Video Output (Diagram P3)	64 65-70
Standby Board (Diagram S)	71 71

Contents

	Page
8 Alignments(Not Applicable)	73
9 Circuit Descriptions	73
List of Abbreviations	82
IC Data	83
10 Spare Parts List	87

©Copyright 2002 Philips Consumer Electronics B.V. Eindhoven, The Netherlands.
All rights reserved. No part of this publication may be reproduced, stored in a retrieval system or transmitted, in any form or by any means, electronic, mechanical, photocopying, or otherwise without the prior permission of Philips.



PHILIPS

1. Technical Specifications and Connection Facilities

Specifications

PLAYBACK SYSTEM

DVD/Video
 SACD multi channel and SACD stereo
 Video CD & SVCD
 CD (CD-Recordable and CD-Rewritable)
 MP3 CD

TV STANDARD (PAL/50Hz) (NTSC/60Hz)

Number of lines	625	525
Playback	Multistandard	(PAL/NTSC)

VIDEO PERFORMANCE

RGB output	0.7Vpp into 75 ohm
YUV output	Y: 1Vpp into 75 ohm Pr/Cr Pb/Cb: 0.7Vpp into 75 ohm
S-Video output	Y: 1Vpp into 75 ohm C: 0.3Vpp into 75 ohm
Video output	1 Vpp into 75 ohm
Black Level Shift	On/Off
Video Shift	Left/Right

AUDIO FORMAT

DSD	Multichannel and Stereo
MPEG/	Compressed Digital
Dolby Digital	16, 20, 24 bits
DTS/PCM	fs, 44.1, 48, 96 kHz
MP3	96, 112, 128, 256 kbps and
(ISO 9660)	variable bit rate fs 32, 44.1, 48kHz
Full decoding of Dolby Digital and DTS multi channel sound	
Analogue Stereo Sound	
Dolby Surround-compatible downmix from Dolby Digital multi-channel sound	
3D Sound for virtual 5.1 channel sound on 2 speakers	

SACD AUDIO PERFORMANCE

D/A Converter	DSD
SACD	fs 2.8224MHz DC - 100kHz
Max. output voltage (0dB)	2V rms
Channel unbalance	<0.5 dB
Cut-off frequency	50kHz (Front) 40kHz (Surround, Centre, Subwoofer)
Signal-Noise (1kHz)	-125 dB
Dynamic Range (1kHz)	-105 dB
Crosstalk (1kHz)	-120 dB
Total Harmonic Distortion (1kHz)	-100 dB

AUDIO PERFORMANCE (Without upsampling)

DA Converter	24 bits
DVD	fs 96 kHz 4 Hz - 44 kHz
CD/Video CD	fs 44.1 kHz 4 Hz - 20 kHz
S-Video CD	fs 48 kHz 4 Hz - 22 kHz
	fs 44.1 kHz 4 Hz - 20 kHz
Signal-Noise (1kHz)	< -120 dB
Dynamic Range (1kHz)	< -95 dB
Crosstalk (1kHz)	< -110 dB
Total Harmonic Distortion (1kHz)	< -95 dB
MPEG MP3	MPEG Audio L3

CONNECTIONS

SCART	2x Euroconnector
Y Pb/Cb Pr/Cr (480i/p)	Cinch 3x (green, blue, red)
S-Video Output	Mini DIN, 4 pins
Video Output	Cinch (yellow) 2x
Audio L+R output	Cinch (white/red)
Digital Output	1 coaxial, 1 optical IEC958 for CDDA / LPCM IEC1937 for MPEG1/2, Dolby Digital, DTS

6 channel analogue output

Audio Front L/R	Cinch (white/red)
Audio Surround L/R	Cinch (white/red)
Audio Centre	Cinch (blue)
Audio Subwoofer	Cinch (black)

CABINET

Dimensions (w x h x d)	435 x 101 x 315 mm
Weight	Approximately 4.6 Kg

POWER SUPPLY

Power inlet	110-240V, 50/60Hz
Power usage	Approx. 30W
Power usage standby	< 1W

* typical playing time for movie with 2 spoken languages and 3 subtitle languages

Specifications subject to change without prior notice

CL 26532105_050.pdf
280802

2. Safety Instructions, Warnings and Notes

2.1 Safety Instructions

2.1.1 General Safety

Safety regulations require that during a repair:

- Connect the unit to the mains via an isolation transformer.
- Replace safety components, indicated by the symbol ▲, only by components identical to the original ones. Any other component substitution (other than original type) may increase risk of fire or electrical shock hazard.

Safety regulations require that after a repair, you must return the unit in its original condition. Pay, in particular, attention to the following points:

- Route the wires/cables correctly, and fix them with the mounted cable clamps.
- Check the insulation of the mains lead for external damage.
- Check the electrical DC resistance between the mains plug and the secondary side:
 1. Unplug the mains cord, and connect a wire between the two pins of the mains plug.
 2. Set the mains switch to the 'on' position (keep the mains cord unplugged!).
 3. Measure the resistance value between the mains plug and the front panel, controls, and chassis bottom.
 4. Repair or correct unit when the resistance measurement is less than 1 MΩ.
 5. Verify this, before you return the unit to the customer/user (ref. UL-standard no. 1492).
 6. Switch the unit 'off', and remove the wire between the two pins of the mains plug.

2.1.2 Laser Safety

This unit employs a laser. Only qualified service personnel may remove the cover, or attempt to service this device (due to possible eye injury).

Laser Device Unit

Type	: Semiconductor laser GaAlAs
Wavelength	: 650 nm (DVD) : 780 nm (VCD/CD)
Output Power	: 20 mW (DVD+RW writing) : 0.8 mW (DVD reading) : 0.3 mW (VCD/CD reading)
Beam divergence	: 60 degree

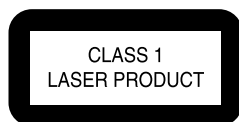


Figure 2-1 Class 1 Laser Product

Note: Use of controls or adjustments or performance of procedure other than those specified herein, may result in hazardous radiation exposure. Avoid direct exposure to beam.

2.2 Warnings

2.2.1 General

- All ICs and many other semiconductors are susceptible to electrostatic discharges (ESD, symbol ⚡). Careless handling during repair can reduce life drastically. Make sure that, during repair, you are at the same potential as the mass of the set by a wristband with resistance. Keep components and tools at this same potential. Available ESD protection equipment:
 - Complete kit ESD3 (small tablemat, wristband, connection box, extension cable and earth cable) 4822 310 10671.
 - Wristband tester 4822 344 13999.
- Be careful during measurements in the live voltage section. The primary side of the power supply (pos. 1005), including the heatsink, carries live mains voltage when you connect the player to the mains (even when the player is 'off!'). It is possible to touch copper tracks and/or components in this unshielded primary area, when you service the player. Service personnel must take precautions to prevent touching this area or components in this area. A 'lightning stroke' and a stripe-marked printing on the printed wiring board, indicate the primary side of the power supply.
- Never replace modules, or components, while the unit is 'on'.

2.2.2 Laser

- The use of optical instruments with this product, will increase eye hazard.
- Only qualified service personnel may remove the cover or attempt to service this device, due to possible eye injury.
- Repair handling should take place as much as possible with a disc loaded inside the player.
- Text below is placed inside the unit, on the laser cover shield:

CAUTION VISIBLE AND INVISIBLE LASER RADIATION WHEN OPEN AVOID EXPOSURE TO BEAM
 ADVARSEL SYNLIG OG USYNLIG LASERSTRÅLING VED ÅBNING UNDGÅ UDSÆTTELSE FOR STRÅLING
 ADVARSEL SYNLIG OG USYNLIG LASERSTRÅLING NÅR DEKSEL ÅPNES UNNGÅ EKSPONERING FOR STRÅLEN
 VARNING SYNLIG OCH OSYNLIG LASERSTRÅLING NÅR DENNA DEL ÄR ÖPPNAD BETRÄKTA EJ STRÅLEN
 VARO! AVATT AESSA OLET ALTTIINA NÄKYVÄLLE JA NÄKYMÄTT ÖMÄLLE LASER SÄTELYLLE. ÄLÄ KAT SO SÄTEESEEN
 VORSICHT SICHTBARE UND UNSICHTBARE LASERSTRAHLUNG WENN ABDECKUNG GEÖFFNET NICHT DEM STRAHL AUSSETZEN
 DANGER VISIBLE AND INVISIBLE LASER RADIATION WHEN OPEN AVOID DIRECT EXPOSURE TO BEAM
 ATTENTION RAYONNEMENT LASER VISIBLE ET INVISIBLE EN CAS D'OUVERTURE EXPOSITION DANGEREUSE AU FAISCEAU

Figure 2-2 Warning text

2.2.3 Notes

Dolby

Manufactured under licence from Dolby Laboratories. "Dolby", "Pro Logic" and the double-D symbol are trademarks of Dolby Laboratories. Confidential Unpublished Works. ©1992-1997 Dolby Laboratories, Inc. All rights reserved.

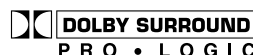


Figure 2-3

Trusurround

TRUSURROUND, SRS and symbol (fig 2-4) are trademarks of SRS Labs, Inc. TRUSURROUND technology is manufactured under licence from SRS labs, Inc.



Figure 2-4

3. Directions for Use

Introduction

Thank you for purchasing this Philips DVD/SACD player. This Owner's Manual explains the basic operation of this DVD/SACD player.

Environmental Information

All unnecessary packaging has been omitted. The packaging has been made easy to separate into three materials: cardboard (box), polystyrene foam (buffer) and polyethylene (bags, protective foam sheet).

Your DVD/SACD player consists of materials which can be recycled and reused if disassembled by a specialised company. Please observe the local regulations regarding the disposal of packaging materials, exhausted batteries and old equipment.

Supplied accessories

- Remote control
- Batteries (two AA size) for remote control
- Audio cable
- CVBS cable
- SCART cable
- Owner's Manual
- AC Power Cord





Safety Information

- Before operating the DVD player, check that the operating voltage indicated on the typeplate (or the voltage indication beside the voltage selector) is identical with the voltage of your local power supply. If not, please consult your dealer.
- Place the DVD player on a flat, hard and stable surface.
- There must be sufficient room in front of the player for the disc tray to be opened.

- In cabinet, allow about 2.5cm (1 inch) of free space all around the player for adequate ventilation.
- Do not expose your player to extreme of temperature or humidity.
- If the DVD player is brought directly from a cold to a warm location, or is placed in a very damp room, moisture may condense on the lens of the disc unit inside the DVD player. Should this occur, the DVD player would not operate normally. Leave the power on for about one hour with no disc in the DVD player until normal playback is possible.
- The mechanical parts of the set contain self-lubricating bearings, and must not be oiled or lubricated.
- **When the DVD player is switched to Standby mode, it is still consuming some power. To disconnect the system from the power supply completely, remove the AC power plug from the wall socket.**

Symbols Used in this Manual

The below symbols appear in some headings and notes with the following meanings:

	– Description refers to playback of DVD-video discs
	– Description refers to playback of Video CDs
	– Description refers to playback of Audio CDs
	– Description refers to playback of Super Audio CDs

Helpful Hints!

- **Some DVD video discs require specific functions or allow only limited functions during playback.**
- **“X” may appear on the TV screen which means that the function is not available on that specific DVD video disc.**

Introduction

SACD: reality in sound...and vision

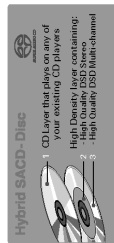
This SACD player will not only surprise you with its superior reproduction of almost all existing audio formats. Connected to your TV, your SACD player presents VCD and DVD-video information as perfect digital studio-quality images with truly 3-dimensional digital multi-channel audio.

Super Audio CD

You will recognize Super Audio CDs by the logo. There are three types of Super Audio CDs: single-layer, dual-layer and hybrid discs. Each type may contain two areas of recorded information: a High Quality Stereo area and a High Quality Multi-channel area.

- The single layer disc may contain both information areas.
- The dual layer disc may contain both information areas but a double amount of information can be stored on the disc thanks to the second layer.
- The hybrid disc may contain not only both information areas but also a second, standard CD layer, making it playable on standard CD players.

Recorded information may vary per area. This is indicated in the disc inlay. Areas can be selected separately before or during playback, while playing Super Audio CDs via the remote control or via the On-Screen Display on your TV.



Reality reproduced: Super Audio CD

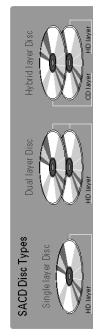
The future in digital sound reproduction is no longer limited to a close simulation of reality. The new audio standard IS reality! The human ear is no longer capable of distinguishing audible reality from digital reproduction. At Philips the future starts today with the Super Audio Compact Disc player. This Super Audio CD player combines superior sound quality with the possibility of playing almost all existing audio and video formats with a single player:

The Super Audio standard is based on Direct Stream Digital (DSD) technology. This new direct-stream digital format comprises a 1-bit system that has a digital sampling frequency that is 64 times higher than that of conventional audio CD. The results are spectacular: a frequency response of over 50k Hz and a 120dB dynamic range over the entire audible spectrum. Mixed with as many of the original frequencies as possible, the audio information audible for human ears sounds much more natural.

The next standard: hybrid disc

The Super Audio CD is the evolution of the CD that provides ultra-high-quality sound. Additional features, including multi-channel, can be offered. On the high density (HD) Super Audio CD you may have access to separate areas, containing two-channel stereo and multi-channel.

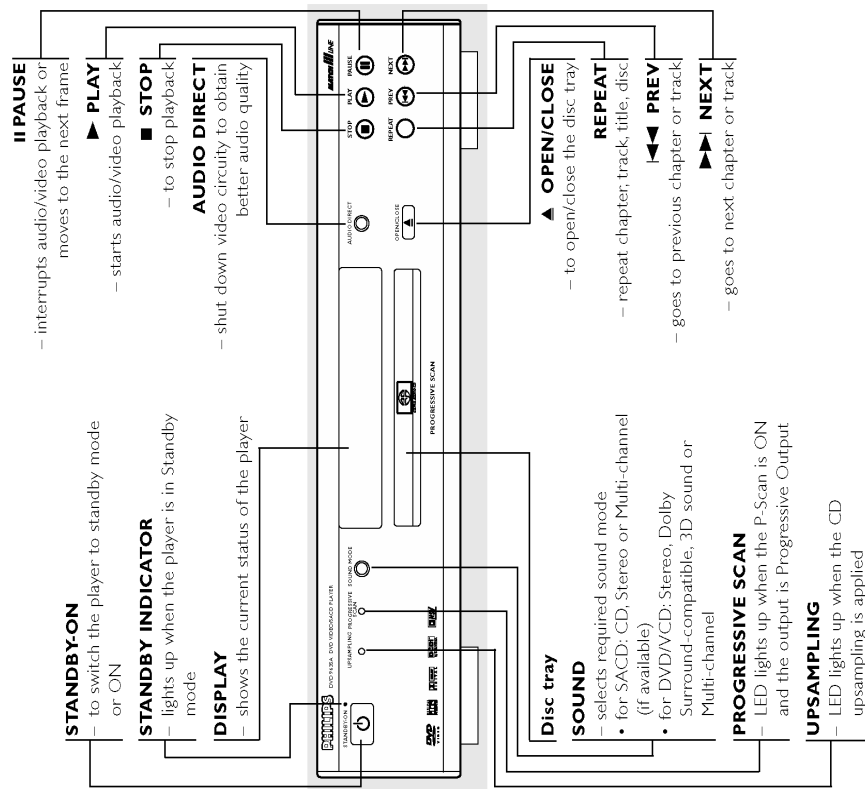
But that is not all! The hybrid version of the SACD guarantees backward compatibility with the installed base of CD and DVD players. In addition to the HD layer, the hybrid disc contains a standard density CD layer with conventional two-channel stereo CD audio information. The two layers are read from the same side of the disc. The HD layer is read by and DVD laser. The bottom reflective layer with conventional CD sound is read by the CD laser through the second, semi-transmissive HD layer.



Functional Overview

Front Panel

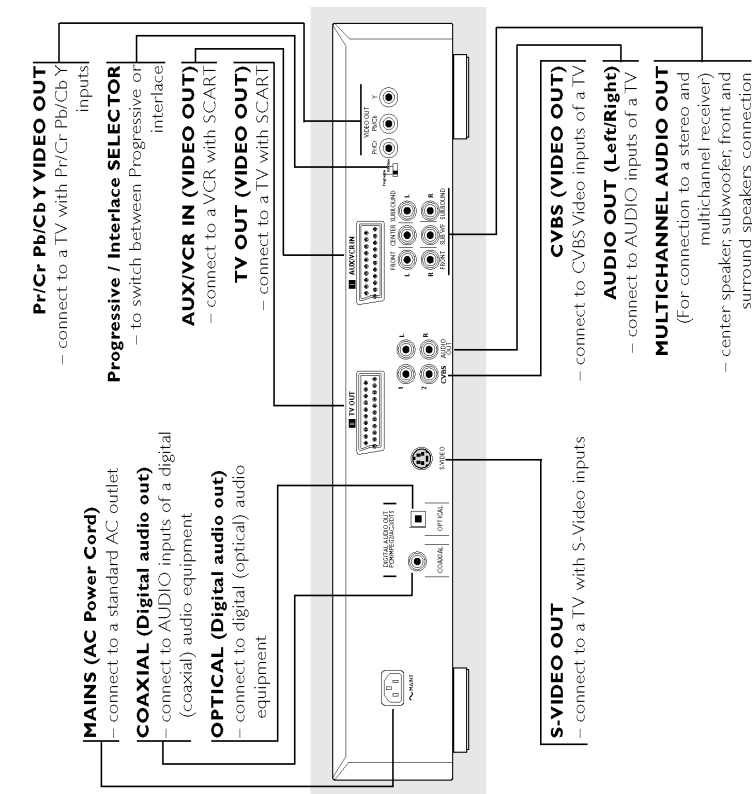
English



Functional Overview

Rear Panel

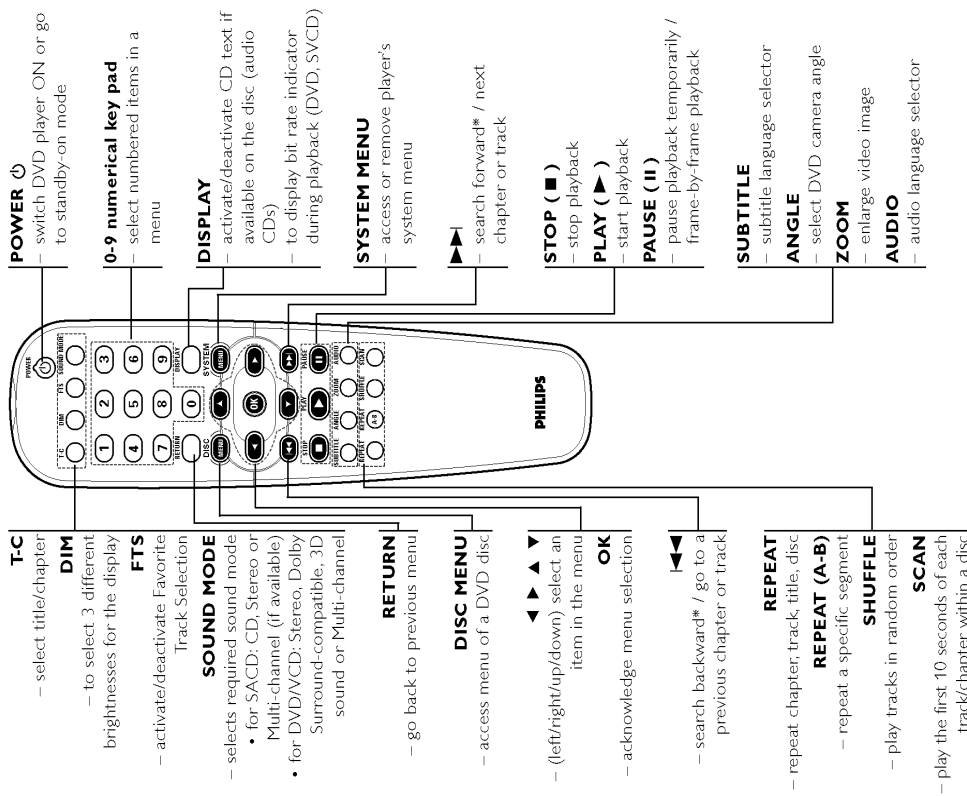
English



Caution: Do not touch the inner pins of the jacks on the rear panel. Electrostatic discharge may cause permanent damage to the unit.

Functional Overview

Remote Control



10

* Press and hold key for about two seconds

Preparation

Basic Connections

- Please refer to the instruction books of your TV, VCR, Stereo System or other devices as necessary to make the best connections. Make one of the following connections, depending on the capabilities of your existing equipment.
- The following guidelines are options for the best picture and sound quality available on your DVD/SACD player:

Warning!

- Never make or change connections with the power switched on.
- Connect the DVD/SACD player directly to your TV, instead of eg. a VCR, to avoid distortion because DVD video discs are copy protected.
- Do not connect the DVD/SACD player AUDIO OUT to the PHONO IN of your amplifier or receiver.

Connecting to a TV

- 1 Connect the SCART (TV OUT) on the DVD player to the corresponding connector on the TV.

Note:

- Ensure that the "TV" indication on SCART cable is connected to the TV set and "DVD" indication on SCART cable is connected to the DVD player.

If your TV is not equipped with SCART input, you can select the following connection:

If your TV has a CVBS Video input connector,

- 1 Connect the CVBS VIDEO OUT on the DVD player to the CVBS VIDEO IN on the TV.
- 2 Connect the Left and Right AUDIO OUT on the DVD player to the Left and Right AUDIO IN on the TV.

If your TV has a S-Video input connector,

- 1 Connect the S-VIDEO OUT on the DVD player to the S-VIDEO IN on the TV.
- 2 Connect the Left and Right AUDIO OUT on the DVD player to the Left and Right AUDIO IN on the TV.

Picture

- 1 Use the CVBS Video Output for good picture quality.
- 2 Use S-Video Output for the better picture quality.
- 3 Use SCART or Pr/Cr/Pb/Cb/Y Output for best picture quality.

Note:

- RGB (on SCART) and YUV (Pr/Cr/Pb/Cb/Y) output signals are not available at the same time.
- To choose your preferred output connection, refer section "Personal Preferences - YUV/RGB switching".

Sound

- 1 Digital audio connections provide the clearest sound. Connect the DVD player's DIGITAL AUDIO OUT (either COAXIAL or OPTICAL) to your amplifier or receiver.

Note:

- Digital output is not available for SACD and MP3 discs.

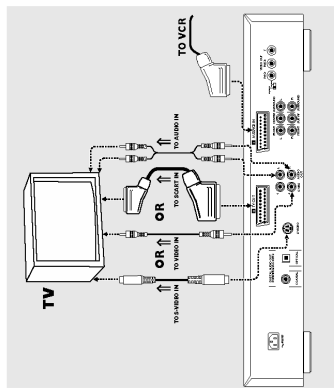
- 2 If digital connections are not possible, connect the DVD player's LEFT/RIGHT FRONT, CENTRE, SUBWOOFER, LEFT/RIGHT SURROUND connectors to the corresponding inputs on your multi-channel audio/video receiver.
- 3 If both the above connections are not possible, connect the DVD player's Left and Right (white and red) AUDIO OUT to your amplifier, receiver, stereo or TV.

Preparation

Cinematic link (on SCART)

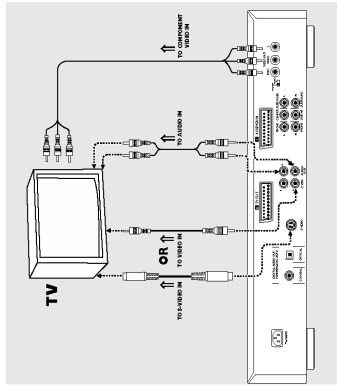
This DVD player is equipped with cinematic link feature (from Philips) which allows a more complete control of your home audio/video (AV) equipment.

Cinematic link interconnection plug & playback will enable the AV system to recognise the users intention and automatically switch the necessary controls or input source accordingly. This will reduce the necessity of having multiple control inputs for all AV equipments (eg. TV and Amplifier).



If your TV has a component video (Pr/Cr/Pb/Cb Y) input connector,

- 1 Connect the Pr/Cr/Pb/Cb Y VIDEO OUT jacks on the DVD player to the corresponding INPUT on the TV using an optional Pr/Cr/Pb/Cb Y cable.
- 2 Connect the Left and Right AUDIO OUT jacks of the DVD player to the AUDIO Left/Right INPUT on the TV.

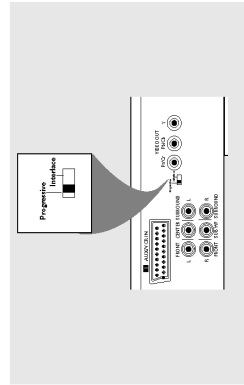


Progressive / Interface SELECTOR

This switch will change the type of signal output from the Component Video Out on the player.

Interface: Select this setting when connected to a standard (interface format) TV.

Progressive: Select progressive when you have a TV that can accept progressive signals (480/525p) to enjoy accurate colour reproduction and high quality images.



Preparation

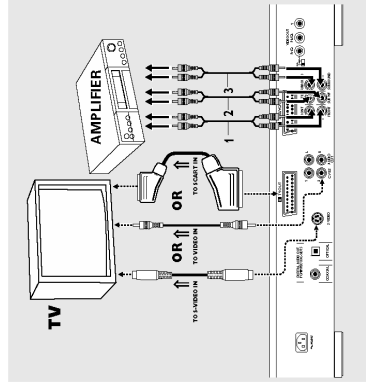
Connecting to a Multi-channel Audio/Video receiver with 6 connectors

This DVD/SCD player contains a multi-channel decoder. This enables playback of SACDs & DVDs recorded in Multi-channel. You only need to select Multi-channel using the Sound Mode key.

- 1 Connect the audio Left and Right outputs for Front speaker connection (1) to the corresponding input sockets on your receiver using the audio cable supplied.
- 2 Connect the audio outputs for Center speaker and Subwoofer connection (2) to the corresponding inputs on your receiver using an optional audio cable.
- 3 Connect the audio Left and Right outputs for Surround speaker connection (3) to the corresponding inputs on your receiver using an optional audio cable.

Note:

– If the subwoofer is equipped with its own amplifier, the Subwoofer connection should be connected directly to the subwoofer.

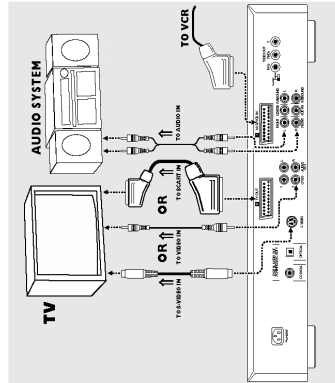


Connecting to an Audio System

- 1 You can also listen to the sound of audio CDs, stereo SACDs, and DVD Video discs by connecting to an optional stereo system.
- 2 Connect the FRONT LEFT/RIGHT AUDIO OUT on the DVD player multichannel audio output to the Left and Right AUDIO IN on the stereo system.

Important:

– For the best sound quality with playback of audio CDs and stereo SACDs, always use the left and right connectors of the high-quality stereo/Multi-channel audio output. The separate stereo output is intended only for connection to video equipment such as a TV set.



Preparation

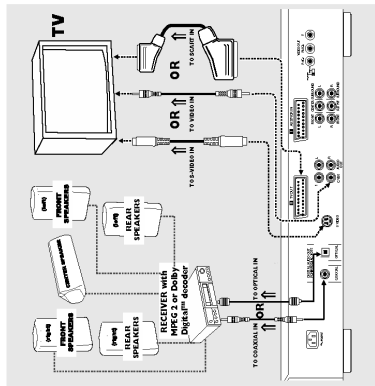
Connecting to a Digital Audio Equipment

If your receiver has an Dolby Digital, DTS or MPEG2 decoder,

- 1 Connect the COAXIAL or OPTICAL DIGITAL AUDIO OUT of the DVD player to the COAXIAL or OPTICAL DIGITAL AUDIO IN on your receiver.
- 2 Set the DVD player's digital output to ALL (see "Personal Preferences")

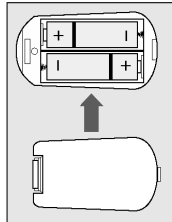
Notes:

- SACD audio is NOT available on the Digital audio output (coaxial or optical) as per the SACD standard.
- If the audio format of the digital output does not match the capabilities of your receiver, the receiver will produce a strong, distorted sound or no sound at all.
- MP3 Audio is not available on the Digital Output.



Inserting batteries into the Remote Control

- 1 Open the battery cover.
- 2 Insert batteries (AA size) with the correct polarity as indicated by the + and - symbols inside the battery compartment.
- 3 Close the cover.



CAUTION!

- Remove batteries if they are exhausted or not to be used for a long time.
- Do not use old and new or different types of batteries in combination.
- Batteries contain chemical substances, so they should be disposed off properly and kept away from children.

Using the Remote Control

- Direct the remote control at the remote sensor of the DVD/SACD player.
- Do not drop the remote control.
- Do not leave the remote control near extremely hot or humid places.
- Do not spill water or put anything wet on the remote control.

Preparation

Menu Bars on TV Screen

- Operations can be carried out directly via the multiple menu bars on the TV screen.
- The following functions are available via the menu bars: Pressing SYSTEM MENU keys repeatedly will toggle through menu bar 1, menu bar 2, menu bar 3 and menu bar OFF:

Menu bar 1



From the left,
Personal Preferences → Subtitle Language →
Audio Language → Colour → Sound

The following functions are available with activated disc, via the menu bars:

Menu bar 2



From the left,
Step by step playback → Slow motion →
Fast motion → Angle → Zoom

Menu bar 3



From the left,
Title → Chapter → Time Search →
Favourite Track Selection (FIS) → Wakeup Timer

Temporary Feedback Field Icons

These icons will appear on the top left hand corner of your TV screen.

Scan	It	Repeat A to end
Repeat	A:B	Repeat A-B
Title	Repeat Title	Angle
Track	Repeat Track	Inhibit
Chapter	Repeat Chapter	Child Lock On
Shuffle	Shuffle	Child Safe
Shuffle	Shuffle Repeat	Resume
		Action Prohibited

Preparation

Personal Preferences

In the Personal Preferences settings menu, you can customize your player to suit your own particular requirements.

General operation:

- 1 Press SYSTEM MENU on the remote control.
- 2 The **TV** will be highlighted in the menu bar.
- 3 Press **▼** to activate the Personal Preferences menu.
- 3 To select a preferred menu language, Press **▼** until **Language** is highlighted.
- 2 Press **▶** to enter the submenu and **▼** to choose Menu language.
- 3 Use the **▲ ▼** to select your preferred menu language.

For navigation and selection in Personal preferences,

- 1 Use the **◀ ▶ ▲ ▼** keys to toggle through the functions and select your preferred option.
- 2 Press OK to confirm a highlighted selection. The following items are available:

Picture

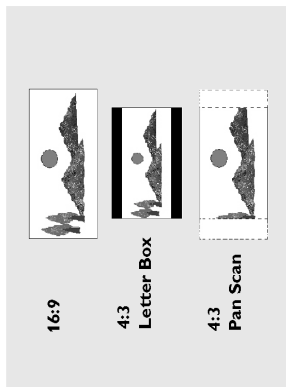
- TV Shape

Select the aspect ratio of the TV to be connected.

16:9 → when you connect a wide-screen TV to the DVD/SACD player.

4:3 LETTER BOX → when you connect a normal TV to the DVD/SACD player. Displays a wide picture with black bands displayed on the upper and lower portions of the TV screen.

4:3 PAN SCAN → when you connect a normal TV to the DVD/SACD player. Displays the wide picture on the whole TV screen with a portion automatically cut off.

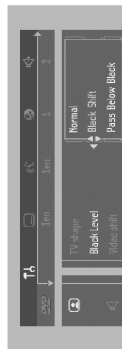


Note:

- **Pan Scan** is subject to availability on the disc.

- Black level shift (NTSC output only)

Select Normal, Black Shift or Pass Below Shift for adapting the different colour dynamics to obtain richer contrasts.



- Video shift

Use this setting to personalize the position of the picture on your TV by scrolling it to the left or right.



- Smart Picture

- **Colour settings** (not applicable on Component Video Output)

You can select one of five predefined sets of colour settings and one set (Personal) which you can define yourself.

You can also press SMART PICTURE key (on the front panel) to access the colour settings in the menubar.



- When **Personal** is selected it allows you to fine-tune saturation, brightness and contrast.
- Use **▲** or **▼** keys to adjust the values of these parameters. Press OK or **◀** to exit.

- TV System (NTSC/PAL Conversion)

Allows you to select between PAL, NTSC and AUTO mode- depending on your TV. Player's default setting is set to AUTO.

The conversions supported are as follows:

Type	Disc Format	Output format	Selected mode
DVD	NTSC	NTSC	AUTO
	PAL	NTSC	NTSC
	PAL (non-Dolby)	PAL	PAL
VCD	NTSC	NTSC	PAL
	PAL	NTSC	PAL

- 1 In the Personal Preferences Menu, select **TV System**.
- 2 Press **▲** or **▼** to select PAL, NTSC or AUTO.

Notes:

- If you have a PAL only TV, ensure that your TV System setting is PAL
- AUTO can only be selected when using a TV that supports both the NTSC and PAL systems (multisystems).
- This setting is applicable for CVBS output on cinch and SCART only.
- Slight picture distortions may occur due to this conversion. This is normal. Thus, the AUTO format is most suitable for the best picture quality.

Preparation

- **Digital Crystal Clear (on Pr/Cr/Pb/Cb Y Progressive Scan Video Out only)**

Digital Crystal Clear (DCC) allows you to fine-tune the following parameters on the progressive scan output.

- **Chroma Delay** - is where the Chroma (colour) and luma (brightness) signals are not synchronised. This allows you to adjust the advance delay of the chroma signal to yield a perfectly clear picture.
- **Gamma** - allows you to adjust the intensity of the picture non-linearly. A positive value allows you to bring out low level detail in dark scenes, while a negative value will emphasize contrast.
- **Sharpness** - allows you to adjust sharpness of the picture.
- **DCDi** (New Directional Correlation De-

interlacing) - computes and tracks the angle of edge to fill in the missing pixel on the TV screen. Switching DCDi ON will optimise the image quality significantly, especially during the slow motion playback.

Aspect Ratio - to adjust the ratio of the pictures on the TV screen.
NO LINEAR STRETCH: for display of 4:3 image on 16:9 TV with non-linear stretching (centre portion of screen is stretch less than the side).
PILLER BOX: for display of 4:3 image on 16:9 TV without stretching.

- **True Life** - produces a more dynamic picture by increasing the picture contrast and the colour intensity.

Note:

- **DCDi, Aspect Ratio and True Life adjustment** are only applicable on Progressive Scan output.

Preparation

Sound

- **Digital output**
Digital output selection enables you to specify the type of digital output suitable for your receiver.
- Select OFF to deactivate the DIGITAL AUDIO OUT.
- Select PCM only if your receiver is not capable of decoding multichannel audio.
- Select ALL (default setting), if you had connected your DIGITAL AUDIO OUT to a multichannel decoder receiver.

Note:

- Digital output is not available for SACD and MP3 discs.



– Analogue output

Select Stereo, Dolby Surround-compatible, 3D Sound or Multi-channel.
Multi-channel. Select this setting when using a multi-channel audio/video receiver with six inputs. In this mode, the player will perform DTS decoding or Dolby Digital 5.1-channel decoding when applicable, and Dolby Pro Logic decoding on DVD-Video and Video-CD discs with 2-channel sound tracks. No Dolby Pro Logic decoding is done with (Super) Audio CD discs.
Stereo. In this setting, the 5.1 audio channels are down-mixed to a stereo signal. Select this setting when connecting to a TV, stereo amplifier/receiver, etc.

Notes:

- **Multi-channel output and downmixed stereo output are not available simultaneously.**
- **When multichannel is selected as analogue output, the AUDIO OUT (Left/Right) will deliver the Centre channel data and not the downmixed Left/Right.**

Dolby Surround-compatible. Select this setting when using an equipment with a Dolby Surround Pro Logic decoder. In this setting, the 5.1 audio channels (Dolby Digital, MPEG-2, DTS) are downmixed to a Dolby Surround-compatible 2-channel output.

3D-Sound. In a setup without rear speakers (analogue stereo output), 3D Sound remixes the six channels of digital surround into a two-speaker output while retaining all of the original audio information. The result is the listening sensation of being surrounded by multiple speakers.

During DVD or Video-CD playback, these values can be selected directly with the SOUND MODE key.



– Night Mode

When set to ON, the dynamics of your sound output are optimised. High volume outputs are softened, enabling you to watch your favourite action movie without disturbing others.

– Karaoke vocal

Put this setting to ON only when a multi-channel karaoke DVD is being played. The karaoke channels on the disc will then be mixed into a normal stereo sound.

– SACD Bass Management Bypass

Allows you (with suitable speaker system) to bypass the bass management system for multichannel SACD playback. This helps to preserve maximum sound quality of your SACD.

Warning!

- **When SACD Bass Management Bypass is ON, speaker setting will not be applied during multi-channel SACD playback.**

– PCM Output

Allows to select PCM digital output between 48kHz and 96kHz. When 48kHz has been selected, 96kHz PCM data, (if available on disc) will be converted to 48kHz.

Some 96kHz DVD are copy protected. If your PCM output selection is 96kHz, the digital output will be muted to comply with the standards. In such cases, select 48kHz to enable digital output.

– CD Upsampling

Allows you to upsample your CD from 44.1 kHz / 16 bit to various higher sampling rates for superior CD reproductions. The selections are: OFF, 96kHz/24bits, 172kHz/24bits.

The upsampling of CD can be toggle "ON/OFF" via the AUDIO key on the remote control.



Preparation

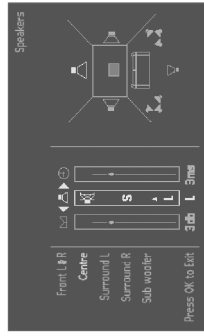
Speaker settings (Advance Bass Management)

Allows you to select speaker settings, volume balance and delay time, and to test the speaker settings.

Speaker settings are only active on the Multi-Channel Audio outputs for both DVD and SACD.

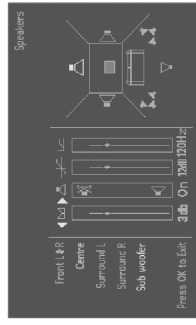
Movie mode

When movie mode is set, speaker settings will not be applied during playback in the SACD Stereo mode.



Music mode - SACD

When music mode is set, speaker settings will be applied during playback in the SACD Stereo mode only.



Additional adjustments available in SACD bass managements are:

- **Cross over frequency adjustment:** 80Hz, 100Hz and 120Hz.
- **Filter slope adjustment:** 12dB/oct, 18dB/oct and 24dB/oct.

Note:

- **These additional adjustments are available in the subwoofer adjustments.**

Preparation

English

6 Channel settings

Front speaker

- L (Large): When the front speakers can reproduce low frequency signals below 120Hz
- S (Small): When the front speakers cannot produce low frequency signals below 120Hz

Center Speaker

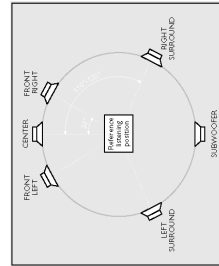
- L (Large): When the center speaker can reproduce low frequency signals below 120Hz
- S (Small): When the center speaker cannot produce low frequency signals below 120Hz
- Off: When the center speaker is not connected

Surround speakers

- L (Large): When the surround speakers can reproduce low frequency signals below 120Hz
- S (Small): When the surround speakers cannot produce low frequency signals below 120Hz
- Off: When the surround speakers are not connected

Subwoofer

- On: When you connect a subwoofer
- Off: When a subwoofer is not connected



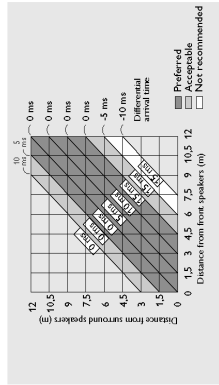
Delay times

The DVD player is set to reproduce correctly synchronized Digital Surround Sound in a listening area where the surround speakers are about 150cm nearer to the listening position than the front speakers, and the center speaker is in line with the front speakers. To adjust for other listening area arrangements, adapt delay times according to the following:

Digital Surround

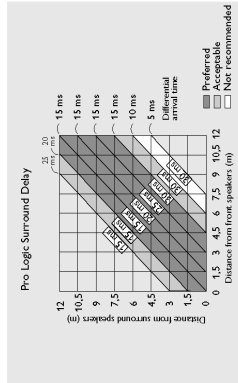
Measure the distances in centimeters from the front speaker plane and from the surround speaker plane to the listening positioning plane. Subtract the surround distance from the front distance and divide by 30. The result is the required Surround Channel delay time in milliseconds.

If the center speaker is on the front speaker plane, no center speaker delay is needed. If, however, it is nearer to the listening position, measure the distance in centimeters between the front and center speaker planes, and divide by 30. The result is the required Center Channel delay time in milliseconds.



Dolby Pro Logic

If the delay times for Surround Channel and Center Channel are set for Digital Surround mode, the delay times for Dolby Pro Logic mode will automatically be calculated and set.



Language

Selecting disc languages:

Menu/Audio/Subtitle language

This is to select the audio language, subtitle language and the language used in TV screen menus or DVD menus which will always be used for every disc to be played back.

If the language selected is not available on the disc, the default language designated by each disc will be selected.

Features

- Access Control

Access Control contains the following features: Child Lock - When Child Lock is set to ON, a 4-digit code needs to be entered in order to playback discs.

Parental control - Allows the conditional presentation of DVDs containing Parental Control information (see 'Access Control' section).

Preparation

English

- Status Window

Displays the current status of the player and appears with the menu bar. When disc playback is stopped, it is displayed with the "Temporary Feedback Field" in the default screen. See "On-Screen Display" information; Factory setting is ON. Select OFF to suppress display of the Status Window.



- Low Power Standby

If this is set to ON, the player will go in low-power standby when the standby button is pressed (front panel or remote control).

- PBC (Playback Control - for VCD)

The Playback Control can be set to ON or OFF (see section "Special VCD & SVCD Features" for details).

- Help text

When set to ON, help text describes the icons selected. Select OFF if you no longer require the help text.

- Smart Power OFF

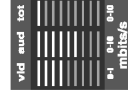
Puts the set to standby after a predefined time. This can be set to ENABLE or DISABLE.

Other Feature

- Bit Rate Indicator

Press the **DISPLAY** key to activate the bit rate indicator. When activated, the bit rate for video and audio, as well as the total bit rate is displayed.

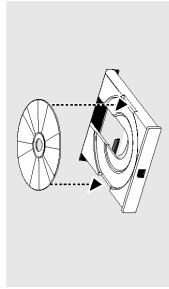
This is only applicable during playback of DVD and SVCD discs.



Operation

Basic Playback

- 1 Press **STANDBY ON** on the front panel.
- 2 Press **OPEN/CLOSE** \blacktriangle on the front panel to open disc loading tray.
- 3 Place the chosen disc in the tray, with the label facing up.
- 4 Press **OPEN/CLOSE** \blacktriangle again to close the tray. \rightarrow **REPEAT** appears in the status window and on the player display and playback starts automatically.

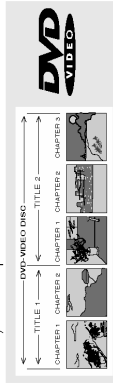


Notes:

- DVDs may have a region code. Your player will not play discs that have a region code different from the region code of your player.
- If "Child Lock" is set to ON and the disc inserted is not authorised, the 4-digit code must be entered and/or the disc must be authorised (see "Access Control").

Playing a DVD-Video

- DVD video discs may have one or more TITLES, and each TITLE may have one or more CHAPTERS.
- Playback stops at the end of each TITLE.



Playing a title

- 1 Insert a disc and close the tray, playback starts automatically.
 - \rightarrow The TV screen and DVD player's display show the type of disc loaded, disc's information and playing time.
- 2 When the Disc Menu appears on the TV screen, use \blacktriangle , \blacktriangleright , \blacktriangleleft , \blacktriangledown keys or numerical keys on the remote control to select an option and continue playback.
- 3 If the titles are numbered, press the numerical keys or use the \blacktriangleright \blacktriangleleft keys to select desired title in the menu bar.
- 4 To stop playback, press **STOP**.

Smart Resume

The playback of a disc can be interrupted at any point and then resumed from the point where the playback was last stopped.

The **RESUME** feature applies not only to the disc in the player, but also the last 20 discs you have played.

To interrupt playback,

- Press **STOP** to interrupt playback.
- \rightarrow The help line text appears "Press Stop again to start from beginning" for 5 seconds.

Playback when a disc has not been ejected,

- Pressing **PLAY** will automatically resume playback from the point where playback was interrupted.

OR

- Press **STOP** again and then press **PLAY**.
- \rightarrow Playback will start from the beginning of the discs.

- If you press **PLAY** when resume icon appears on the screen, resume playback starts from the point where playback was interrupted.

Playback when a disc has been ejected,

- Reload the disc.
- \rightarrow Playback starts from the beginning of the disc.
- If you press **PLAY** when resume icon appears on the screen, resume playback starts from the point where playback was interrupted.

Note:

- Resume feature is also applicable to VCDs and SVCDs.

Operation

Playing a Super Audio CD

- Super Audio CDs contain only TRACKS
- Select tracks using the menu bar on the TV screen or by pressing the numerical keys directly. If SACD-text or CD-text is available on the disc, it will be displayed on both the TV screen and player's front panel.
- Favourite Track Selection (FTS) programming is NOT possible on SACD discs.



Playing a disc

- 1 Insert a disc and close the tray, playback starts automatically.
 - \rightarrow The TV screen will display the number of tracks for selection, current playing status and current playing layer.
- 2 Playback will stop at the end of the disc.
- 3 To stop playback, press **STOP**.

Sound Mode - SACD playback

- If the default Sound mode is set to multi channel and the inserted disc does not contain this mode, the player will automatically select the stereo mode.
- On hybrid discs (with SACD and CD layers), the player will always start playing the SACD layer.
- While the SACD disc is being played, the currently played layer is shown on the player front display as follows:
 - SA 6 (for SACD Multi channel)
 - SA 2 (for SACD stereo)
 - CD (for CD layer of SACD)
- You can switch between SACD multi channel and SACD stereo layers (depending on availability of the mode on the disc) while the disc is playing by pressing the Sound Mode button on the remote control or the player front. The mode change will be indicated on the player front display.
- Switching between the SACD and CD layer is not possible during playback.

Video CD and Super Video CD

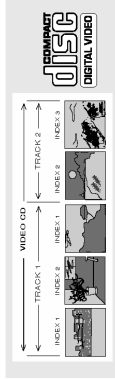
The current VCD 2.0 and Super-Video CD 1.0 standard features are:

Support following VCD and SVCD formats:

Features	Video CD 2.0	Super Video CD 1.0
Video	MPEG-1	MPEG-2
Bit rate	constant 1,150 Kbps	variable up to 2.2 Mbps
Resolution	NTSC 352x288, 294Hz	NTSC 480i/576i interlaced, 294Hz
Still picture (static)	MPEG-1 (1 frame)	MPEG-2 (1 frame)
Resolution NTSC	352x240, 70i/4:80	480x480, 70i/4:80
Resolution PAL	352x288, 70i/4:24	480x576, 70i/4:24
Audio	1 layer II	2 layer II
Bit rate	44.1Kbps	44.1Kbps
Audio channels	22KHz/5ps	32, 38/40/48ps
surround sound	1 stereo / 2 mono	e-2 stereo / 4 mono
surround sound	Stereo with Dolby Pro Logic	MPEG-1 (5+1) multichannel
Sub-picture	1 layer	2 layer
Sub-picture	4 colour CLUT (24bit/pixel)	4 colour CLUT (24bit/pixel)

Following formats can't be supported in

- **VCD:**
 - HQ-VCD is encoded at 2.4Mbps or 2.6Mbps
 - XVID (eXtended VCD) with higher resolution and data rate.
 - The file ending with "DIVX" format
- Video CDs may have one or more TRACKS, and TRACKS may have one or more INDEXES.
- To make easy and convenient access, you can move between TRACKS and INDEXES.
- Some Video CDs have Play Back Control (PBC), which is a predefined playback sequence stored on the disc (see "Playback Control" section).



Playing a disc

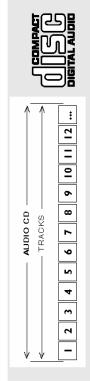
- 1 Insert the disc and close the tray, playback starts automatically.
 - \rightarrow The number of tracks and the total playing time of the disc will appear on the TV screen and DVD player's display.
- 2 Press **PLAY**.
 - \rightarrow The current track number and its elapsed playing time will be displayed.
- 3 Playback will stop at the end of the disc.
- 4 To stop playback, press **STOP**.
- 5 Disc Resume feature is also applicable for VCDs and SVCDs (see "Smart Resume" section).

Operation

- 1 Press **STOP** to stop the playback.
- 2 Press Sound Mode button on the remote control or the player front to toggle between SACD multi channel, SACD stereo and CD layers (depending on availability of the mode on the disc).
→ The mode change will be indicated on the player front display.

Playing an Audio CD

- Audio CDs contain only TRACKS.
- They can be played on your DVD player with the audio output connected to a stereo system or to your TV.
- If CD-text is available on the disc, it will be displayed on both the TV screen and player's front display.
- Select tracks using the menubar on the TV screen or by pressing the numerical keys directly.
- Your DVD player also allows you to compile Favourite Track Selection (FIS) programmes for your discs by selecting or excluding tracks of your choice (see FIS Programme - Audio CDs).



Playing a disc

- 1 Insert a disc and close the tray, playback starts automatically.
→ The TV screen will display the number of tracks for selection and current playing status. Playback will stop at the end of the disc.
- 2 To stop playback, press **STOP**.

Special DVD Features

DVDs may contain menus to navigate the disc and access special features. Press the appropriate numerical key or use the **▼▲▶◀** keys to highlight your selection in the DVD menu and press **OK** to confirm.

Title/Disc menu

- 1 Press **DISC MENU**.
→ If the current title has a menu, the menu will appear on the screen. Otherwise, the disc menu will be displayed.
If disc menu is available on the disc, audio language, subtitle options, chapters for the title and other options will appear for selection.
- 2 To remove the title/disc menu, press **DISC MENU** again.

Camera Angle

Some discs contain scenes which have been shot simultaneously from various angles.
This DVD player allows you to select the desired camera angle.

- When the DVD player encounters a scene shot in multiple angles, it will give an indication on the "Temporary Feedback Field".
→ The angle icon remains displayed until multiple angles are no longer available.
- Use the **▲▼** to select the required angle.
- → Playback changes to the selected angle.
→ You can also select **↵ (ANGLE)** in the menu bar or press the **ANGLE** button on the remote control directly.

Changing the audio language

- 1 Select **↵ (AUDIO)** in the menu bar or press the **AUDIO** button on the remote control directly.
- 2 Press **AUDIO ▲▼** repeatedly to select the different languages.

Subtitle Language

- 1 Select **↵ (SUBTITLE)** in the menu bar or press the **SUBTITLE** button on the remote control directly.
- 2 Press **SUBTITLE** or **▲▼** repeatedly to select the different subtitles.

Operation

General Features

Note:
– Unless stated, all operations described are based on remote control use. Some operations can be carried out using the menu bar on the TV screen.

Moving to another title/chapter

DVD VCD

When a disc has more than one title/track or chapter, you can move to another title/chapter as follows:

- 1 Press **SYSTEM MENU**, then select **T** or **C** in the menu bar.
- 2 Press **▲▼** or numerical keys to select a title/chapter.

CD SACD

- 1 Press **▶▶** or **◀◀** briefly during playback to go to the next track or to return to the beginning of the current track respectively.
- 2 Press **◀◀** twice briefly to step back to the previous track.
- 3 To go directly to any track, enter the track number using the numerical keys (0-9).

Search

DVD VCD SACD

- 1 Select **↵ (FAST MOTION)** in the menu bar and press **▼**.
- 2 Use the **◀▶** keys to select the required speed: -32, -8 or -4 (backward), or +4, +8, +32 (forward).
- 3 Select 1 to play the disc at normal speed again.
- 4 To exit FAST MOTION mode, press **PLAY** or **▶**.

CD

- To search forward or backward through different speeds, you can also hold down **▶▶▶** or **◀◀◀** for more than two seconds.

Special VCD & SVCD Features

Playback Control (PBC)

Playback control is a feature on some Video CDs / Super-Video CDs that enables interactive use.

Video CD discs with Playback Control features enables user to access a selected track directly from the disc menu.

- 1 Load a Video CD with PBC and press **PLAY**.
- 2 Go through the menu with the keys indicated on the TV screen until your chosen passage starts to playback. If a **PBC** menu consists of a list of tracks, you can select a track directly.
- 3 Enter your choice with the numerical keys (0-9). Press **RETURN** to go back to the previous menu, if applicable on the menu.
- 5 You may also select **PBC OFF** under Personal Preferences.
→ When set to OFF, PBC menus are not activated for further playback.

Special CD, SACD & MP3 Features

CD text, SACD text and MP3 text

- 1 Some CD, SACD or MP3-CD discs may contain text information (eg track name, album name, artist name etc.) which will appear on the DVD/SACD player and TV screen during playback.
By default, CD text display is set to ON.
To switch off the CD text display, press **DISPLAY** on the remote control during playback.
- 2 Press **DISPLAY** on the remote control again to switch on the text display mode.



Operation

English

- 1 Select **SLOW MOTION** (SLOW MOTION) in the menu bar and press **V**.
- 2 Playback will pause.
Use the cursor keys **←** and **→** to select the required speed: -1, -1/2, -1/4 or -1/8 (backward), or +1/8, +1/4, +1/2 or +1 (forward).
- 3 Select 1 to play the disc at normal speed again.
- 4 If **II** is pressed, the speed will be set to zero (PAUSE).
- 5 To exit slow motion mode, press **PLAY**.

Still Picture and Frame-by-frame playback **DVD** **VCD** **SACD**

- 1 Select **STEP** in the menu bar and press **V**.
→ Playback will pause.
- 2 Use the cursor keys **←** and **→** to select the previous or next picture frame.
- 3 To exit step by step playback, press **PLAY** or **▲**.

Note:

- You can also activate **frame-by-frame** playback by pressing the **PAUSE** key repeatedly on the remote control.

Scan **DVD** **VCD** **CD** **SACD**

Scanning plays the first 10 seconds of each chapter/track on the disc.

- 1 Press **SCAN**.
- 2 To continue playback at your chosen chapter/track, press **SCAN** again or press **PLAY**.

Repeat

DVD

Repeat chapter/title/disc

- To repeat the current chapter, press **REPEAT**.
→ **REPEAT CHP** appears on the front display.
- To repeat the current title, press **REPEAT** a second time.
→ **REPEAT TTL** appears on the front display.
- To repeat the entire disc, press **REPEAT** a third time.
→ **REPEAT DISC** appears on the front display.
- To exit Repeat mode, press **REPEAT** a fourth time.

VCD **CD** **SACD** Repeat track/disc

- To repeat the current track, press **REPEAT**.
→ **REPEAT TRK** appears on the front display.
- To repeat the entire disc, press **REPEAT** a second time.
→ **REPEAT DISC** appears on the front display.
- To exit Repeat mode, press **REPEAT** a third time.

Repeat A-B **DVD** **VCD** **VCD** **CD** **SACD**

– **DVD-Video Discs: repeat a sequence in a title**

– **Video and Audio CDs: repeat a sequence in a track**

- 1 Press **REPEAT A-B** at your chosen starting point.
- 2 Press **REPEAT A-B** again at your chosen end point.
→ **REPEAT A-B** appears briefly on the front display, and the repeat sequence begins.
- 3 To exit the sequence, press **REPEAT A-B**.

Shuffle

DVD

This shuffles the playing order of chapters within a title, if the title has more than one chapter.
Press **SHUFFLE** during playback.

- 1 → **SHUFFLE** appears on the screen for about two seconds.
- 2 To return to normal playback, press **SHUFFLE** again.

VCD **CD** **SACD**

This shuffles the playing order of tracks within a disc, if the disc has more than one track.
Press **SHUFFLE** during playback.

- 1 → **SHUFFLE** appears on the screen for about two seconds.
- 2 To return to normal playback, press **SHUFFLE** again.

Operation

English

- 6 To exit **ZOOM** mode, select zoom factor to "Off" (zoom factor 1) in the menu bar.



Time search **DVD **VCD****
The Time Search function allows you to start playing at any chosen time on the disc.
Select **TIME-SEARCH** in the menu bar and press **V**.
→ Playback will pause.
→ The elapsed playing time is displayed in a time edit box.

- 2 Enter hours, minutes and seconds from left to right in the time edit box using remote control numerical key pad.
→ Each time an item has been entered, the next item will be highlighted.
Press **OK** to confirm the selected time.
→ The time edit box will disappear and playback starts from the selected time position on the disc.



- 4 Press **SYSTEM MENU** to remove the menu bar.

FTS Video/Audio Programme

- The FTS-Video function allows you to store your favourite titles and chapters (DVD) and favourite tracks and indexes (VCD, CD) for a particular disc in the player memory.
- Favourite Track Selection (FTS) list contains up to 20 items (titles, chapters).
- The most recent programme list will be placed on top of the existing list.

DVD **VCD**

Storing a Programme

- 1 Load a disc and stop playback.
- 2 Select **VIDEO FTS** in the menu bar.
- 3 Press **V** to open the menu bar.
→ The **VIDEO FTS** menu appears.

Storing titles/tracks

- 1 Press **V** to select **TITLES/TRACKS**.
- 2 Use **▶** and **◀** to select the require title/tracks.
- 3 Press **OK** to store the entire selected title/tracks.
→ The title number will be added to the list of selections.

DVD **VCD**

Zoom **DVD** **VCD**

The Zoom function allows you to enlarge the video image and to pan through the enlarged image.

- 1 Select **ZOOM**.
- 2 Press **▲** to activate the **ZOOM** function and select the required zoom factor: 1.33 or 2 or 4.
→ Playback will continue.
→ The selected zoom factor and 'Press **OK** to pan' appears below the menu bar.
→ The zoomed picture will appear on the TV screen.
- 3 Press **OK** to confirm the selection.
- 4 The panning icon appears on the screen.
Use the **◀** and **▶** keys to pan across the screen.
- 5 When **OK** is pressed only the panned picture will be shown on the screen.

Operation

English

- Press **▼** on the selected chapter/indexes number:
→ The chapter/indexes number will be highlighted.
- Use **▶** and **◀** to select the required chapter number.
- Press **OK** to confirm the selection.
→ The selected chapter/indexes confirmation will be added to the list of selections.
- Press **SYSTEM MENU** to exit the **VIDEO FTS** menu.

Switching a Programme ON/OFF

- Use **▶** to move and select desired tracks.
- Press **▶** or **◀** to select either **ON** or **OFF**.

Erasing a selection in a Programme

- While playback is stopped, select **VIDEO FTS** in the menu bar.
- Use **▶** to select **PROGRAM**.
- Use **▶** and **◀** to select the required number.
- Press **OK** to erase the selection.
- Press **SYSTEM MENU** to exit.

Erasing all selections

- While playback is stopped, select **VIDEO FTS** in the menu bar.
- Use **▶** to select **CLEAR ALL** and press **OK**.
→ All selections will be erased.
- Press **SYSTEM MENU** to exit.



CD

Storing a Programme

- Load a disc and stop playback.
- Press **▶** to go to the list of available tracks.
- Use **▶** and **◀** to select the required tracks or directly using remote control numeric key.
- Press **OK** to store the selected tracks.
→ The track number will be added to the list of selections.

Switching a Programme ON/OFF

- Use **▶** to move and select desired tracks.
- Press **▶** or **◀** to select either **ON** or **OFF**.

Erasing a track in a Programme

- Use **▶** to go to the programmed tracks.
- Use **▶** and **◀** to select the required number.
- Press **OK** to erase the selection.
- Press **SYSTEM MENU** to exit.

Erasing all selections

- Use **▶** to select **CLEAR ALL** and press **OK**.
→ All selections will be erased.



Note:

- Audio track programming function is not available for **MP3-CD** and **SACD** discs.

Auto Wake-up Timer

The wake-up timer allows your player to turn on after a preset time.

- Select **⏰** in the menu bar.
- Press **▶**.
- Time edit box will appear.
Use the **▲** or **▼** to select the sleep time. The maximum time you can select is 600 minutes. Selection is made by 30 minutes steps each time.
- Press **OK** to confirm the selection.
- The Wake-up Timer will activate when the set is switched to standby-mode.



Operation

English

Album/Title

This feature allows you to view and select the next or previous MP3 disc, Album/Title.

- Press **▶** to scroll through the previous or next Album.
- Press **◀** to scroll through the previous or next Track.
- You can also select the desired album/track number directly using the numeric keys on the remote control.

Note:

- In **STOP mode**: numbers are used for **ALBUM** selection.
- In **PLAY mode**: numbers are used for **TRACK** selection.



- Only the following functions are possible for MP3 discs:

- STOP / PLAY / PAUSE
- SKIP NEXT / PREVIOUS
- REPEAT (TRACK / ALBUM / DISC)

MP3 Discs - Album/Track/Disc

- To repeat a track, press **REPEAT**.
- **REPEAT TRK** appears on the player display.
- To repeat an album, press **REPEAT** a second time.
- **REPEAT ALBM** appears on the player display.
- To repeat the entire disc, press **REPEAT** a third time.
- **REPEAT DISC** appears on the player display.
- To exit **REPEAT** mode, press **REPEAT** a fourth time.
- **REPEAT OFF** appears on the player display.

MP3 Disc Features

Support following MP3-CD formats (ISO9660 format):

- Max. 30 characters
- Max. nested directory is 8 levels
- The max. ALB number is 32
- Supported VBR bit-rate
- Supported sampling frequencies for MP3 disc are: 32 kHz, 44.1 kHz, 48 kHz
- Supported Bit-rates of MP3 disc are: 32, 64, 96, 128, 192, 256 (kbps)

Following formats can't be supported

- The files like *.VMA, *.AAC, *.DLF, *.M3U, *.PLS
- Chinese filenames
- The non-session closed discs
- The discs recorded under UDF format

Downloading MP3 files from the Internet or copying songs from your own legal discs is a delicate process.

Sound Quality	Bit Rate	Approximate Reduction Ratio	Approximate total MP3-CD time	Comment
Hi-Fi class	128 kbps	20:1	10 hrs	Sound quality (good) (not allowed)
Hi-Fi class	160 kbps	20:1	10 hrs	not recommended
Near-CD	96 kbps	15:1	15 hrs	Balanced sound quality
CD-like	128 kbps	10:1	10 hrs	compression rate
CD*	256 kbps	5:1	5 hrs	compression rate low
CD*	220 kbps	3:1	3 hrs	suggest to play CD instead

You may experience an occasional "skip" while listening to your MP3 files. This is normal.

- Additional note for MP3 disc Playback:**
- In compliance with the SDMI, digital-out is muted while playing MP3 discs.
- Due to the recording nature of Digital Audio MP3 (DAM), only Digital Audio music will play.
- The disc reading time may exceed 10 seconds due to the large number of songs compiled onto one disc.
- For multi-session discs, only the first session will be available.

Access Control

English

Child Lock (DVD, VCD)

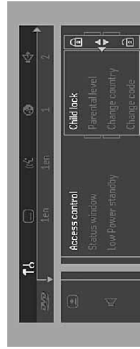
Activating/deactivating the Child Lock

- When disc playback is stopped, select **ACCESS CONTROL** in the Personal Preferences menu using the **▲▼** keys.
- Enter a 4-digit code of your own choice twice.
- Move to **"CHILD LOCK"** using the **▲▼** keys.
- Move to **ON/OFF** using the **▶** key.
- Select **ON** using the **▲▼** keys.
- Press **OK** or **◀** to confirm, then press **◀** again to exit the Personal Preferences menu.
- Now unauthorised discs will not be played unless the 4-digit code is entered.

CHILD LOCK

Notes:

- Confirmation of the 4-digit code is necessary when:
- The code is entered for the very first time (see above).
- The code is changed or cancelled (see 'Changing the 4-digit code').



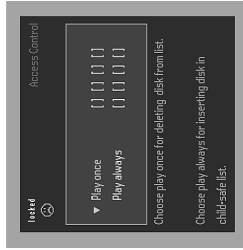
Authorising discs

- Insert the disc.
- You will be asked to enter your secret code for 'Play Once' or 'Play Always'.
- If 'Play Once', disc can be played when in the player and the player is ON.
- If 'Play Always', disc will become authorised and can always be played, even if the Child Lock is set to ON.

Notes:

- The player memory can maintain 120 authorised ('Child safe') disc titles. A disc will be placed in the list when 'Play Always' is selected.

- Each time a 'child safe' disc is played, it will be placed on top of the list. When the list is full, the last disc in the list will be replaced when a new disc is added.
- Double-sided DVDs and multi-volume VCDs may have a different ID for each side. In order to make the disc 'child safe', each side has to be authorised.



Deauthorising discs

- Insert the disc.
- Playback starts automatically.
- Press **■** while **Ⓢ** is visible.
- The **Ⓢ** will appear and the disc is now deauthorised.

Parental Control (DVD)

Movies on DVDs may contain scenes not suitable for children. Therefore, discs may contain 'Parental Control' information which applies to the complete disc or to certain scenes on the disc. These scenes are rated from 1 to 8, and alternative, more suitable scenes are available on the disc. Ratings are country dependent. The 'Parental Control' feature allows you to prevent discs from being played by your children or to have certain discs played with alternative scenes.



Access Control

English

Changing the 4-digit code

- When disc playback is stopped, select **ACCESS CONTROL** in the Personal Preferences menu using the **▲▼** keys.
- Enter the current 4-digit code.
- Move to **CHANGE CODE** using the **▶** and press the **▶** key.
- Enter the new 4-digit code.
- Press **OK**.
- Press **◀** to exit the menu.
- The new 4-digit code will be take effect.

If you forget your 4 digit code

- Press **■** to exit the 'Child Safe' screen.
- Select **ACCESS CONTROL** in the Personal Preferences menu using the **▲▼** keys.
- The 4-digit code can be cancelled by pressing **■** four times in the 'Access Control' dialog.
- You can then enter a new code (twice) as described above in 'Changing the 4 digit code'.

Parental Control Disclaimer

This DVD/SACD player features the **PARENTAL CONTROL** system which is to activate when playing DVD discs furnished with certain software coding only. Also note that at the time of release of this DVD/SACD player, certain aspects of the technical standards had not been settled between set makers and the disc industries. On this basis, Philips cannot guarantee the functioning of the **PARENTAL CONTROL** system and denies any liability associated with unintended watching of disc content.

If in doubt, please make sure the disc plays according to your **PARENTAL CONTROL** settings before you allow children access to the player.

Activating/Deactivating Parental Control

- When disc playback is stopped, select **ACCESS CONTROL** in the Personal Preferences menu using the **▲▼** keys.
- Enter your 4-digit code. If necessary, enter the code a second time.
- Move to **Parental Control** using the **▲▼** keys.
- Move to value adjustment (1-8) using the **▶** key. Then use the **▲▼** keys or the numerical keys on the remote control to select a rating from 1 to 8 for the disc inserted.

Rating 0 (displayed as '- - -'):

Parental Control is not activated. The Disc will be played in full.

Ratings 1 to 8:

The disc contains scenes not suitable for children. If you set a rating for the player, all scenes with the same rating or lower will be played. Higher rated scenes will not be played unless an alternative which has the same rating or lower is available on the disc. If no suitable alternative is found, playback will stop and the 4-digit code has to be entered.

- Press **OK** or **◀** to confirm, then press **◀** again to exit the Personal Preferences menu.



Country

- When disc playback is stopped, select **ACCESS CONTROL** in the Personal Preferences menu using the **▲▼** keys.
- Enter the 4-digit code.
- Move to **CHANGE COUNTRY** using the **▶** key.
- Press the **▶** key.
- Select a country using **▲▼**.
- Press **OK** or **◀** to confirm, then press **◀** again to exit the menu.

Troubleshooting

Problem	Solution
No audio at digital output	<ul style="list-style-type: none"> Check the digital connections. Check the settings menu to make sure the digital output is set to ALL or PCM. Check if the audio format of the selected audio language matches your receiver capabilities.
No sound and picture	<ul style="list-style-type: none"> Check that the SCART cable is connected to the correct device. (See Connecting to a TV)
Disc can't be played	<ul style="list-style-type: none"> Ensure the disc label is facing up. Check if the disc is defective by trying another disc.
Picture freezes momentarily during playback	<ul style="list-style-type: none"> Check the disc for fingerprints/scratches and clean with a soft cloth wiping from centre to edge.
No return to start-up screen when disc is removed	<ul style="list-style-type: none"> Reset the unit by switching the player off, then on again.
The player does not respond to the remote control	<ul style="list-style-type: none"> Aim the remote control directly at the sensor on the front of the player. Reduce the distance to the player. Replace the batteries in the remote control. Re-insert the batteries with their polarities (+/- signs) as indicated.
Buttons do not work or player stops responding	<ul style="list-style-type: none"> To completely reset the player, unplug the AC cord from the AC outlet for 5-10 seconds.
Player does not respond to some operating commands during playback.	<ul style="list-style-type: none"> Operations may not be permitted by the disc. Refer to the instructions of the disc.
DVD/SACD Video player cannot read CDs/DVDs	<ul style="list-style-type: none"> Use a commonly available cleaning CD/DVD to clean the lens before sending the DVD/SACD player for repair.

If you are unable to remedy a problem by following these hints, consult your dealer or service centre (HOTLINE).

Maintenance

- Cleaning the Cabinet**
 - Use a soft cloth slightly moistened with a mild detergent solution. Do not use a solution containing alcohol, spirits, ammonia or abrasives.
- Cleaning Discs**
 - When a disc becomes dirty, clean it with a cleaning cloth. Wipe the disc from the centre out. Do not wipe in a circular motion.
 - Do not use solvents such as benzine, thinner; commercially available cleaners, or antistatic spray intended for analogue records.
- Cleaning the disc lens**
 - After prolonged use, dirt or dust may accumulate at the disc lens. To ensure good playback quality, clean the disc lens with Philips CD Lens Cleaner or any commercially available cleaner. Follow the instructions supplied with the cleaner.

Troubleshooting

WARNING
Under no circumstances should you try to repair the system yourself, as this will invalidate the warranty. Do not open the system as there is a risk of electric shock.
If a fault occurs, first check the points listed below before taking the system for repair.

Problem	Solution
No power	<ul style="list-style-type: none"> Check if the AC power cord is properly connected.
No picture	<ul style="list-style-type: none"> Check if the TV is switched on. Check the video connection.
Distorted picture	<ul style="list-style-type: none"> Sometimes a small amount of picture distortion may appear. This is not a malfunction.
Completely distorted picture or black/white picture with DVD/SACD or Video CD	<ul style="list-style-type: none"> Make sure the NTSC/PAL setting at the DVD player matches the video signal of your television. (See NTSC/PAL Conversion/Settings)
No sound or distorted sound	<ul style="list-style-type: none"> Adjust the volume. Check that the speakers are connected correctly.

English

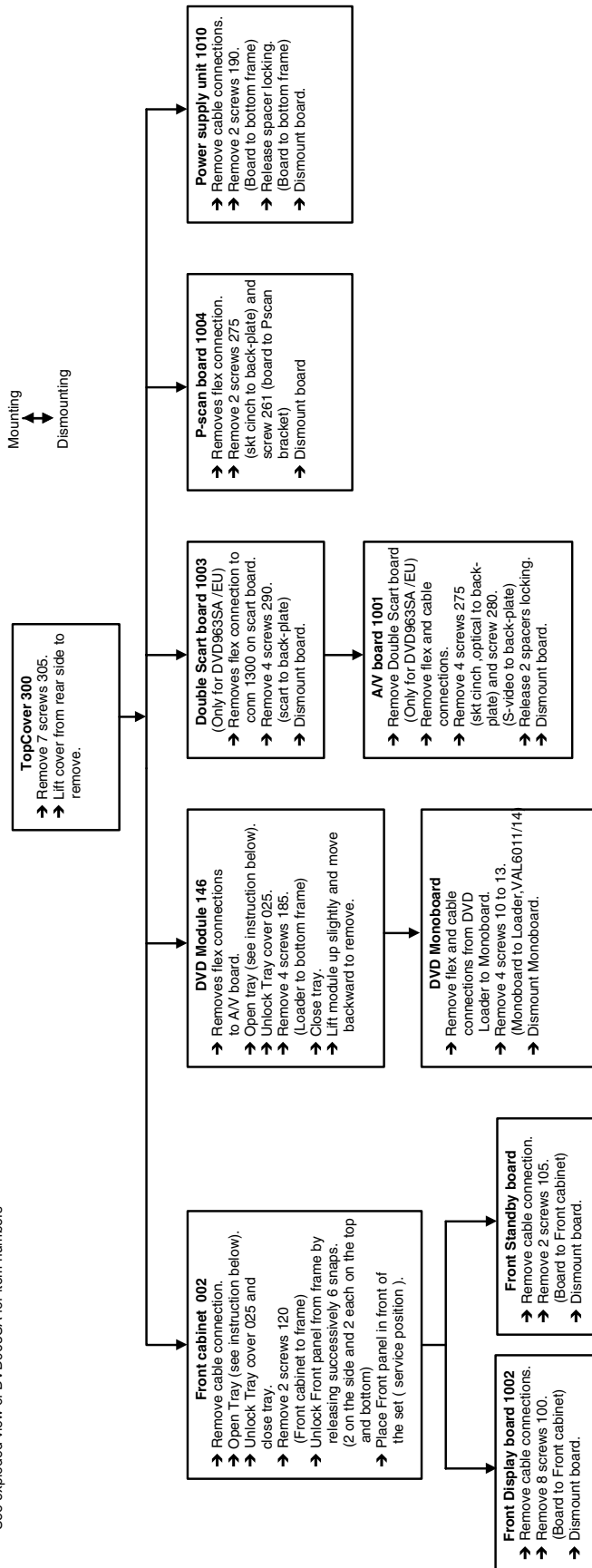
English

4. Mechanical-, Dismantling Instructions, and Service Hints

4.1 Dismantling Instructions

DISMANTLING INSTRUCTIONS

See exploded view of DVD963SA for item numbers

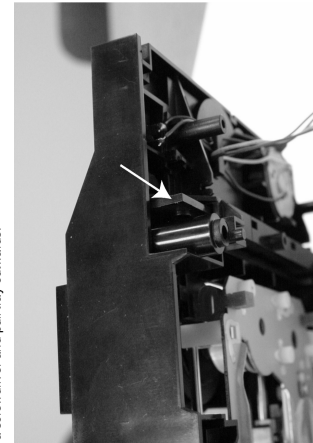


Manually opening of tray

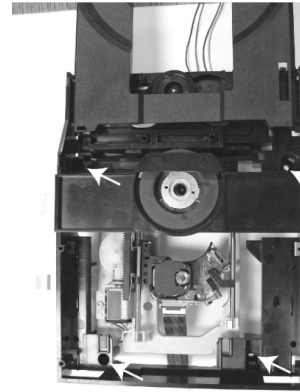
When it is not possible to open the tray with the EJECT button, the tray can be manually opened.
When no disc is loaded, unlock the tray by moving the slide from left to right and pull tray outwards.



When a disc is loaded, unlock the tray by pushing the slide inwards with a screwdriver and pull tray outwards.



Remove 4 screws to remove loader.



CL 26532105_002.eps
290802

Figure 4-1 Dismantling Instructions

4.2 Exploded View

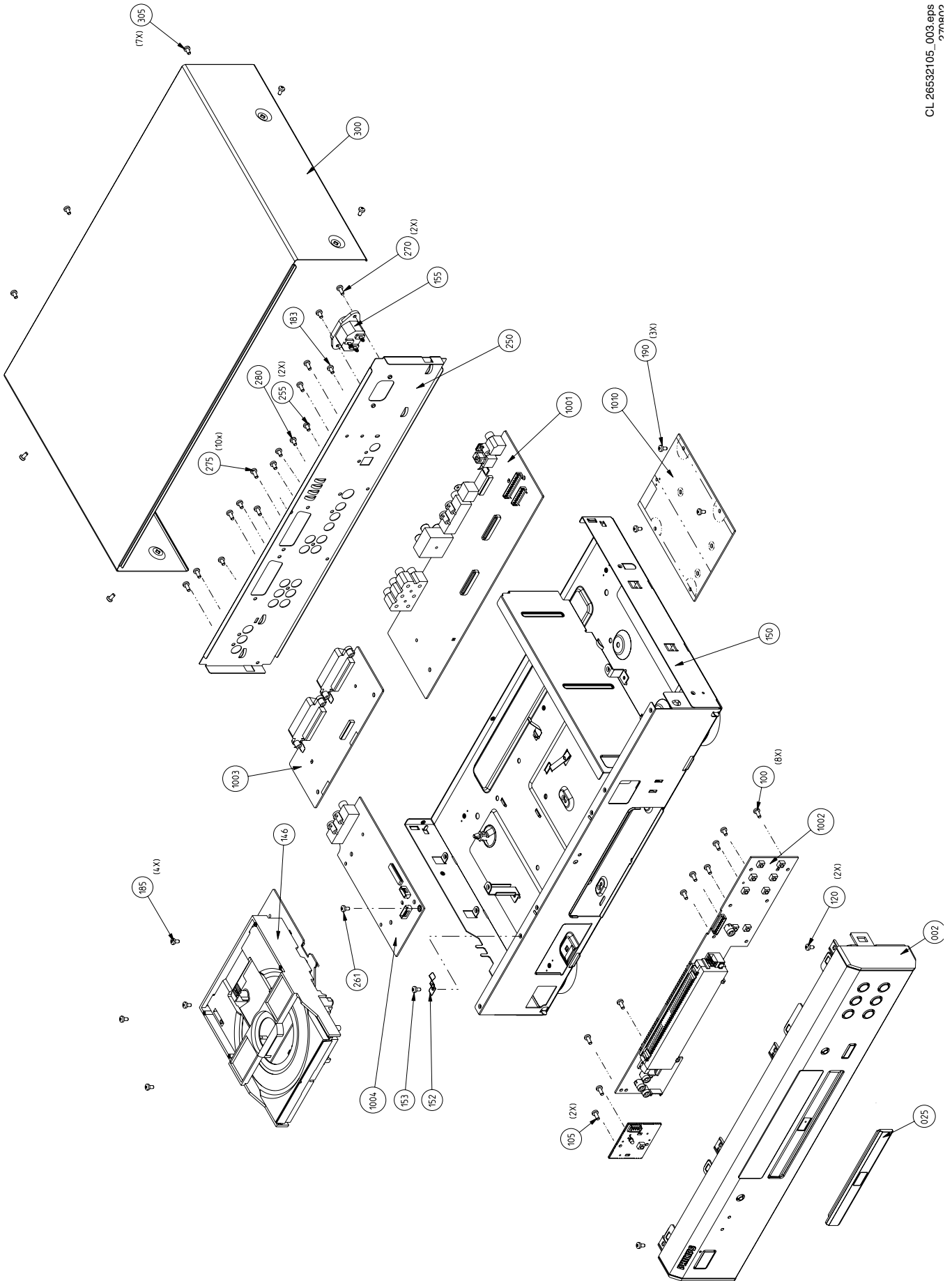


Figure 4-2 Exploded View

4.3 Service Hints

4.3.1 Switched Mode Power Supply

The power supply unit has to be replaced in case of failure. The schematic provided in the manual is only for information and no service parts will be available.

4.3.2 DVD Module

This module can be repaired as follows:

1. The VAL6011/14 is a combination of loading mechanism and DVD-mechanism. Both are not repairable units and in case of failure, it has to be replaced with a new loader VAL6011/14.

Note: When replacing with a new VAL6011/14, two solder joints have to be removed after connecting the OPU flex foil to the mono board.

The solder joints, which shortcircuits the laser diodes to ground, are for protection against ESD. Refer to figures 2-5 and 2-6 for location of solder joints.

2. The mono board has to be repaired down to component level. Repair handling of the monoboard requires a workshop with sophisticated desoldering tools.

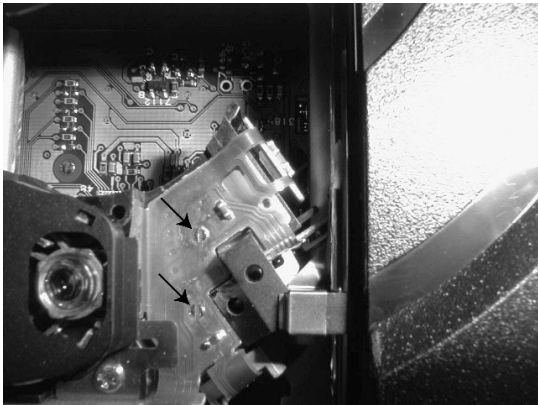


Figure 4-3 Solder joints

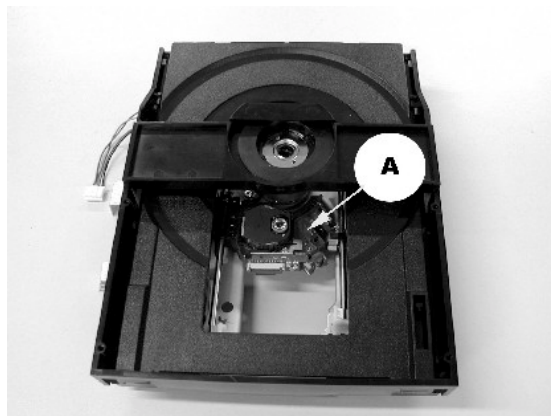


Figure 4-4 Solder joints

4.3.3 ComPair

For assistance with the repair process of the monoboard an electronic fault finding guidance has been developed. This program is called ComPair.

This ComPair program is available on CDROM.

The version of the CDROM for repair of the monoboard is V1.3 or higher and can be ordered with codenumber 4822 727 21637. This is an update CDROM, so when the ComPair CDROM is used for the first time, one has to install the ComPair Engine CDROM V1.2 first.

The V1.2 CDROM can be ordered with code number 4822 727 21634 and has to be registered after installation. The procedure for registration is explained in the help file of the program and in the CDROM booklet.

The cable to connect the monoboard with a PC can be ordered with codenumber: 3122 785 90017.

All the hardware and software requirements of the systems, necessary for working with ComPair, are described on the CDROM.

4.3.4 Service Positions

Refer to dismantling instructions for dismantling of the board. Figures 2-7 to 2-8 shows the service position that are recommended during repair of the boards.

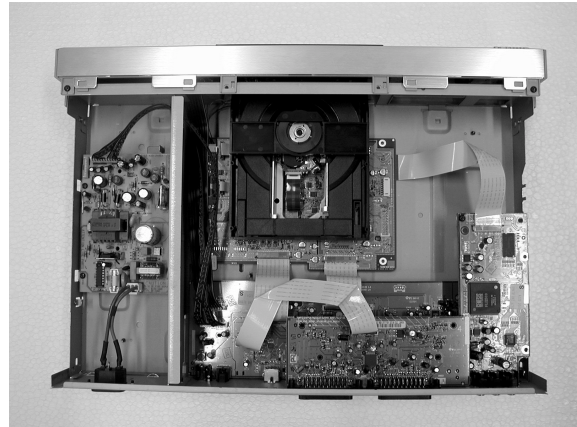


Figure 4-5 DVD963SA Layout

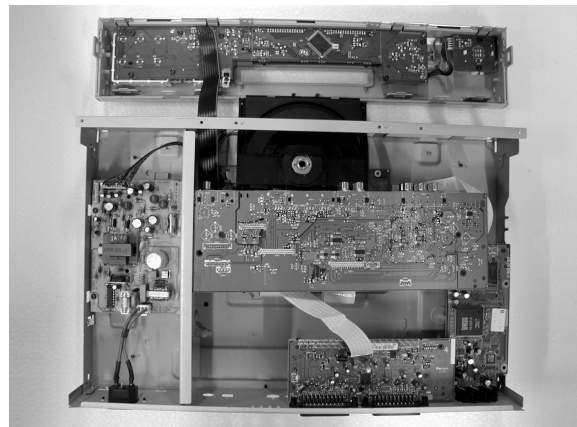


Figure 4-6 DVD963SA service manual

5. Diagnostic Software, Trouble Shooting and Test Instructions

5.1 Dealerscript

5.1.2 Contents of Dealer Script

5.1.1 Purpose of Dealer Script

The dealer script can give a diagnosis on a standalone DVD player, no other equipment is needed to perform a number of hardware tests to check if the DVD player is faulty. The diagnosis is simply a "error" or "pass" message. No indication is given of faulty hardware modules. Only tests within the scope of the diagnostic software will be executed hence only faults within this scope can be detected.

The dealer script executes all diagnostic nuclei that do not need any user interaction and are meaningful on a standalone DVD player.

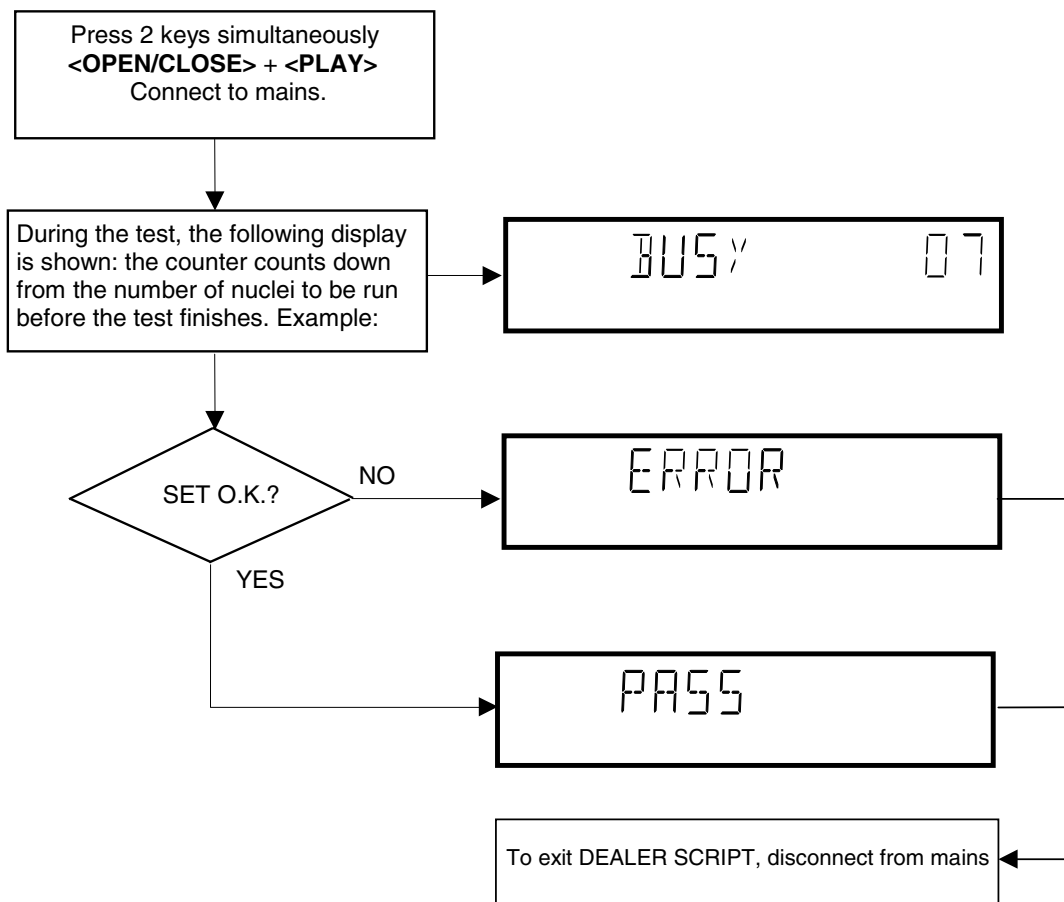
The nuclei called in the dealer script are the following (the number after each nucleus name corresponds with the number being on the local display when the nucleus is executed during the dealer script):

Nucleus

Display Countdown	Nucleus Number	Nucleus Name	Description
7	6	PapChksFl	Calculate and verify checksum of FLASH memory
6	12	PapI2cDisp	Checks the I2C interface with the slave processor on the display board
5	13	PapS2bEcho	Checks the I2C interface to the basic engine
4	11	PapI2cNvram	Checks the I2C interface with the NVRAM
3	15	PapNvramWrR	Pattern test of all locations in the NVRAM
2	16	CompSdramWrR	Pattern test of all locations in the SDRAM(s)
1	63	FURORERSdramWrRLow	Pattern test of all locations in the SDRAM(s)

CL 26532053_052.eps
150502

Figure 5-1 Dealer script nuclei



CL 26532053_053.eps
150502

Figure 5-2 Dealer Script

5.2 Player Script

Press the OPEN/CLOSE key to proceed to the next test.

5.2.1 Purpose of Player Script

The Player script will give the opportunity to perform a test that will determine which of the DVD player's modules are faulty, to read the error log and error bits and to perform an endurance loop test. To successfully perform the tests, the DVD player must be connected to a TV set to check the output of a number of nuclei. For DVDv2b a multi-channel amplifier, a set of 6 speakers and an external video source are necessary to test. To be able to check results of certain nuclei, the player script expects some interaction of the user (i.e. to approve a test picture or a test sound). Some nuclei (e.g. nuclei that test functionality of the Basic Engine module) require that the DVD player itself is opened, to enable the user to observe moving parts and approve their movement visually. Only tests within the scope of the diagnostic software will be executed hence only faults within this scope can be detected.

5.2.2 Contents of Player Script

The player script contains all nuclei that are useful on a DVD player that is connected to a TV set and help to determine which module of the DVD player is faulty, as well as to read out the contents of the error logs.

5.2.3 Structure of Player Script

The player script consists of a set of nuclei testing the three hardware modules in the DVD player: the Display PWB, the Digital PWB, and the Basic Engine. Nuclei run by the player test need some user interaction. In the next paragraph this interaction is described. The player test is done in two phases:

- Interactive tests:** this part of the player test depends strongly on user interaction and input to determine nucleus results and to progress through the full test. Reading the error log and error bits information can be useful to determine any errors that occurred recently during normal operation of the DVD player.
- The loop test:** this part of the player test will loop through the list of nuclei indefinitely, till the player is reset. The list of nuclei is as follows:
 - PapChksFlash
 - PapI2cNvram
 - CompSdramWrR
 - PapS2bEcho
 - PapI2cDisp

At the beginning of the tests, the DSW version number will be indicated on the local display of the DVD. The display will look like the following:

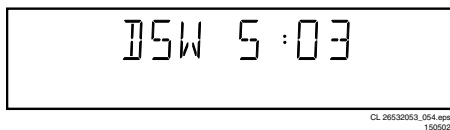


Figure 5-3

Pressing the PLAY key will proceed to the slave S/W version display, which is shown on the local display of the DVD player. The display will look like the following:

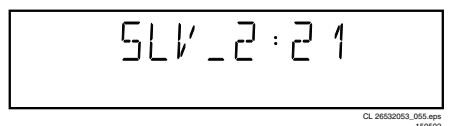


Figure 5-4

5.2.4 Survey

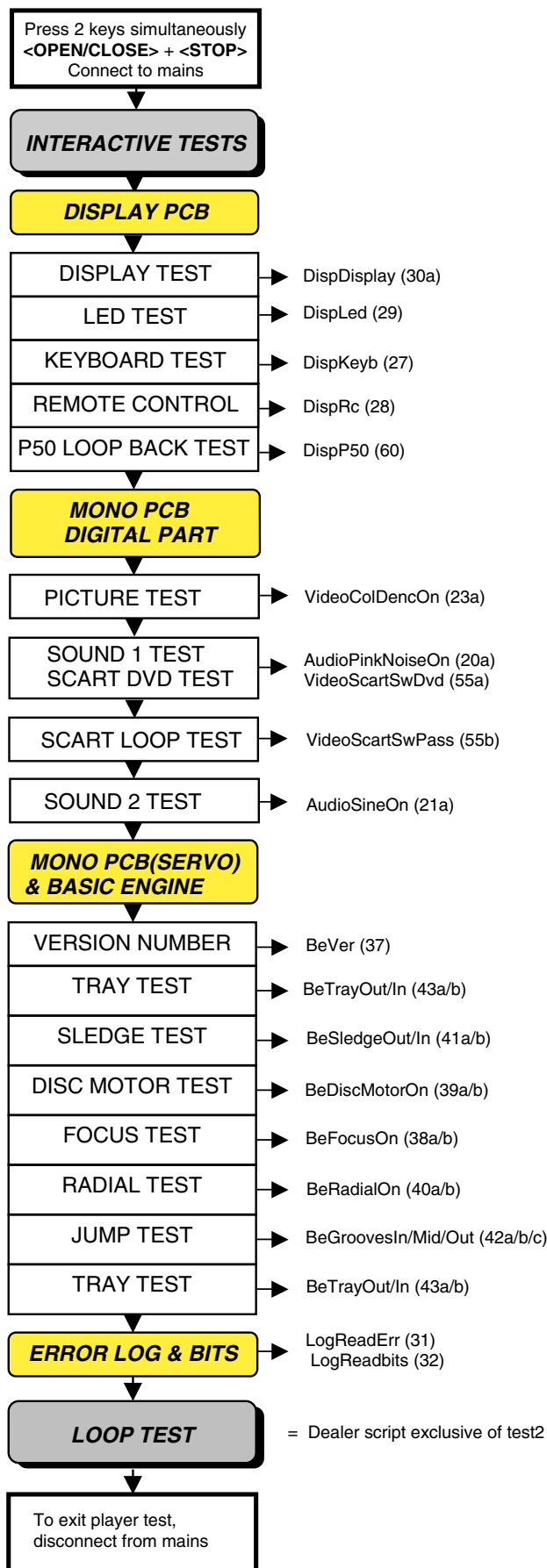


Figure 5-5

5.3 Display PCB

5.3.1 Display Test

The display test is performed by nucleus DispDisplay. By putting a series of test patterns on the local display, the local display is tested. To step through all different patterns, the user must either press OPEN/CLOSE (pattern is ok) or STOP (pattern was incorrect) to proceed to the next pattern. The display of patterns is continued in a cyclic manner, shown in Fig. 5-6, until the user presses PLAY. If the user presses PLAY before all display patterns are tested, the DispDisplay nucleus will return FALSE (display test unsuccessful).

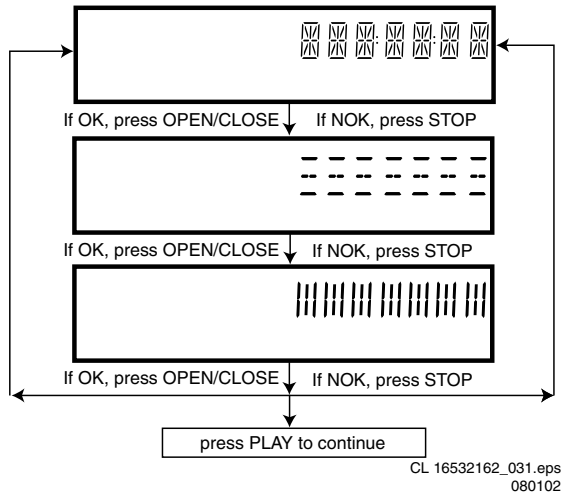


Figure 5-6

5.3.2 LED Test

The LED(s) on the DVD player is (are) tested by nucleus DispLed. The user must check if the LED(s) is (are) lighted; if it is, press OPEN/CLOSE, if it is not, press STOP. By pressing PLAY the script will proceed to the next test. If the user presses PLAY before OPEN/CLOSE or STOP, the DispLed nucleus will return TRUE (LED test successful).

5.3.3 Keyboard Test

The keyboard of the DVD player is tested by nucleus DispKeyb. The user is expected to press all keys on the local keyboard once. The code of the key pressed is shown on the local display (1 hexadecimal digit) immediately followed by a (hexadecimal) number indicating how many times that key has been pressed. Example of the local display during this test:

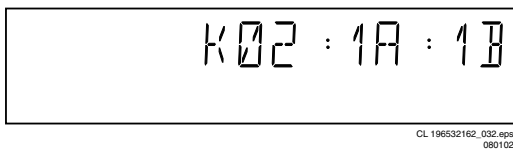


Figure 5-7

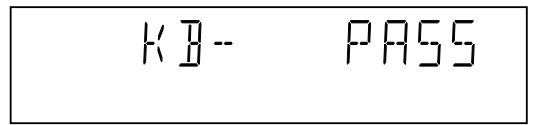
The key-codes displayed on the local display will scroll from right to left when the display gets full, the text "K" will remain on display.

KEY ID	KEY
0	PLAY
1	STOP
2	OPEN/CLOSE
3	STANDBY
4	NEXT
5	PREVIOUS
6	PAUSE
7	AUDIO DIRECT
E	SOUND MODE
F	REPEAT

CL 26532105_057.eps
300802

Figure 5-8

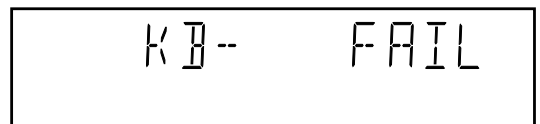
If any keys are detected more than once (due to hardware error), the key-code is displayed twice (or more), with the second digit increased by 1. If the user does not press all keys minimally once (in any order), the DispKeys nucleus will return FALSE and cause an error in the overall result of the player script. The user can leave the keyboard test by pressing the PLAY key on the local display of the DVD player for at least one full second. The result of the keyboard test is shown on local display as follows:



CL 16532162_033.eps
080102

Figure 5-9

Or



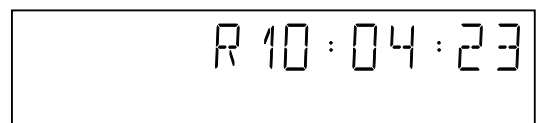
CL 16532162_034.eps
080102

Figure 5-10

Pressing PLAY on the local keyboard again will proceed to the next text.

5.3.4 Remote Control Test

The remote control of the DVD player is tested by nucleus DispRc. The user must press any key on the remote control just once. The codes of the key pressed will be shown on the local display in hexadecimal format. Example:



CL 16532162_035.eps
140102

Figure 5-11

In this example 23 is the hexadecimal code of the pressed RC key. The user can leave the remote-control test by pressing PLAY on the local keyboard of the DVD player. The remote control test is successful if a code was received before the user

pressed the PLAY key. Pressing the PLAY key, before pressing a key on the remote control, gives an error in the remote control test (note that the remote control test will also fail if a key on the remote control was pressed but no code was received). The remote control test does not check upon the contents of the received code, that is it will not be checked if the received code matches the key pressed. If desired, the user can manually check this code by using a code-table for the remote control key-codes.

RC Key id	Hexadecimal code
STANDBY	0C
1	1
2	2
3	3
4	4
5	5
6	6
7	7
8	8
9	9
0	0
RETURN	83
DISPLAY	EF
DISC MENU	54
SYSTEM MENU	82
CURSOR UP	58
CURSOR DOWN	59
CURSOR LEFT	5A
CURSOR RIGHT	5B
OK	5C
PREVIOUS	21
NEXT	20
STOP	31
PLAY	2C
PAUSE	30
SUBTITLE	4B
ANGLE	85
ZOOM	F7
AUDIO	4E
REPEAT	1D
REPEAT A-B	3B
SHUFFLE	1C
SCAN	2A

CL 16532162_037.eps
080102

Figure 5-12

After pressing PLAY, the result of the remote control test is displayed on the local display of the DVD player as follows:

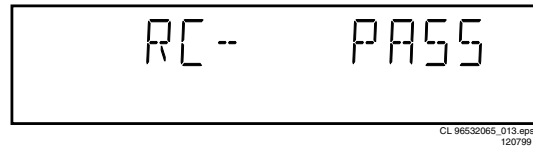


Figure 5-13

Or

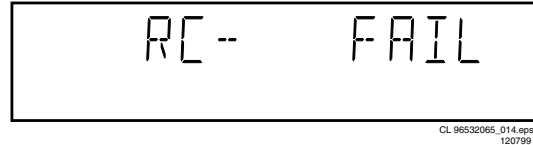


Figure 5-14

Pressing PLAY on the local keyboard again will proceed to the next test.

5.3.5 P50 Loop-Back Test

For the P50 loop-back test, the user must first press a key to decide if the test is to be performed. The display will show the following message:

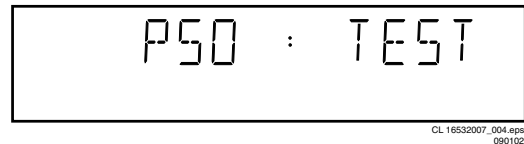


Figure 5-15

If the user presses STOP, the P50 test will be skipped. If the user presses OPEN/CLOSE, the P50 test is performed and the result is displayed as follows:

Test successful:

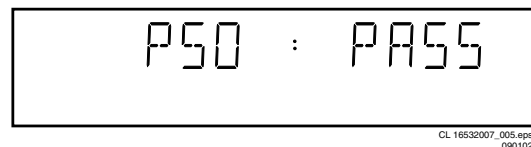


Figure 5-16

Test fails:

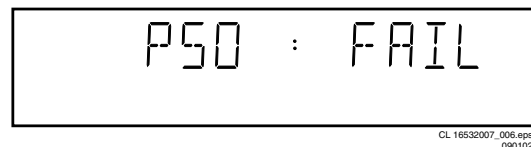


Figure 5-17

Press the PLAY key to continue to the next text

5.4 Mono PCB Digital Part

5.4.1 Picture Test

The picture test is performed by putting a predefined picture (colour bar) on the display (nucleus VideoColDencOn), and asking the user for confirmation.

The display will show the following message:

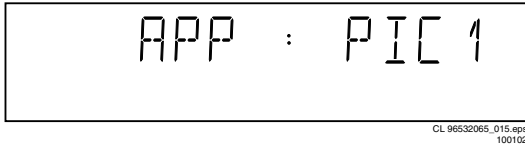


Figure 5-18

By pressing OPEN/CLOSE the user confirms the test, pressing STOP will indicate the picture was invisible or incorrect. Pressing PLAY will proceed to the next test. If the user presses PLAY without pressing OPEN/CLOSE or STOP first, the result of this test will be TRUE (picture ok).

Note: The colour bar must be simultaneously available on the CVBS, YC, and RGB (or YUV) outputs available. On the SCART only the CVBS and RGB signals will be available.

5.4.2 Sound 1 & SCART DVD Test

The first soundtest is performed by starting a pink noise sound that needs confirmation from the user (nucleus AudioPinkNoiseOn).

The display will show the following message:

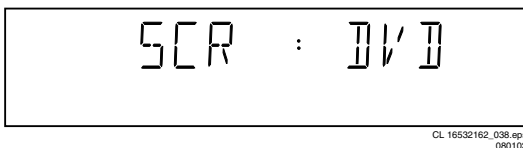


Figure 5-19

On the TV screen a colour bar (generated by nucleus VideoColDencOn) is visible and the internally generated pinknoise is audible.

By pressing the PLAY key, the user confirms the test. Pressing the STOP key will indicate the sound was inaudible or incorrect.

Note: Only for double scart models, SCART loop-through will be simultaneously active during this test. SCART loop-through will be measured with the aid of an external video source.

By pressing the PLAY key, there will be switched over to the external source. This must become now visible on the TV screen (using the SCART).

The local display will show the following message:

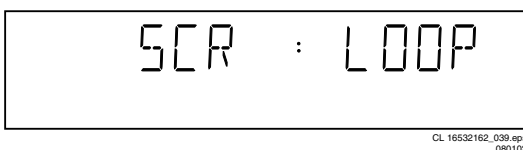


Figure 5-20

The internally generated colour bar is still available on the CVBS and Y/C outputs. And the pinknoise-signal is still available on the cinch audio outputs. By pressing the OPEN/CLOSE button, the internal generated colour bar becomes visual again.

The test can be left by pressing the PLAY key for more than one second.

5.4.3 Sound 2 Test

The second soundtest is performed by producing a sine sound (nucleus AudioSineOn). The signal can be stopped by pressing the STOP key.

The display will show the following message:

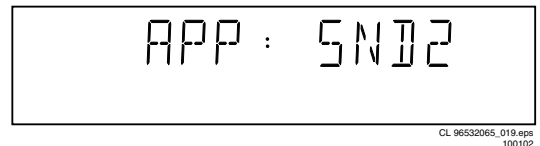


Figure 5-21

After the audio signal has been stopped, by pressing OPEN/CLOSE, the user confirms the test. Pressing STOP will indicate that something went wrong. Pressing PLAY will proceed to the next. If the user presses PLAY without pressing OPEN/CLOSE or STOP first, the result of this test will be TRUE (sound ok).

5.5 Basic Engine

5.5.1 Version Number

In the basic engine tests, the version number of the Basic Engine will be shown first, as the following example:

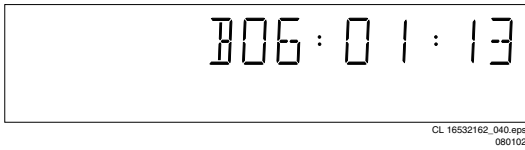


Figure 5-22

By pressing the PLAY key, the Basic Engine tests are started.

5.5.2 Tray Test

First, the tray is tested. The purpose of this test is also to give the user the opportunity to put a disc in the tray of the DVD player. Some tests on the Basic Engine require that a disc (e.g. DVD MPTD test disc) is present in the player. At the end of the Basic Engine tests this tray test will be repeated solely to enable the user to remove the disc in the tray. The local display will look as follows:

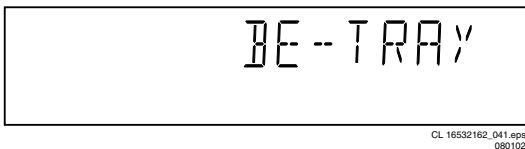


Figure 5-23

By pressing OPEN/CLOSE the user can toggle the position of the tray. Note that this test will not contribute to the test result of the Basic Engine. Pressing PLAY will proceed to the next test. At this point, the tray will be closed automatically by the software if it was open.

5.5.3 Sledge Test (Visual Test)

The second Basic Engine test tests the sledge. The user can move the sledge as many times as desired by using OPEN/CLOSE (nucleus BeSledgeOut) and STOP (nucleus BeSledgeIn). Pressing PLAY on the local keyboard proceeds to the next test. Note that this test will not contribute to the test result of the Basic Engine.

The local display will look as follows during the sledge test:

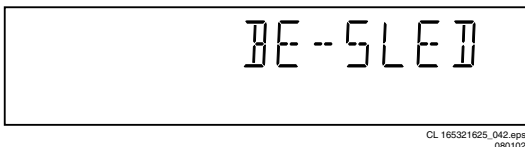


Figure 5-24

5.5.4 Disc Motor Test (Visual Test)

The third Basic Engine test tests the disc motor (nucleus BeDiscMotorOn).

The local display looks as follows:

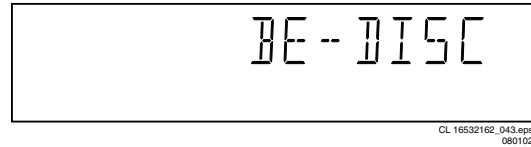


Figure 5-25

By pressing OPEN/CLOSE the user confirms that the disc motor is running. Pressing STOP indicates the disc motor does not work. Pressing PLAY proceeds to the next test, after a reset of the disc motor (nucleus BeDiscMotorOff). If the user presses PLAY before pressing OPEN/CLOSE or STOP, the result of this test will be TRUE (disc motor is running).

5.5.5 Focus Test (Visual Test)

The fourth Basic Engine test tests the focussing. First focussing is turned on by calling nucleus BeFocusOn. The display will look as follows:

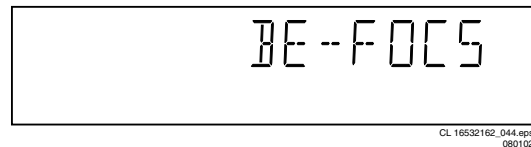


Figure 5-26

By pressing OPEN/CLOSE the user confirms that the focussing was successful. Pressing STOP indicates a focussing failure. Pressing PLAY proceeds to the next test after a reset of the focussing (nucleus BeFocusOff). If PLAY is pressed before OPEN/CLOSE or STOP, the result of this test will be TRUE (focus successful).

5.5.6 Radial Test (Visual & Listening Test)

The fifth Basic Engine test tests the radial functionality (nucleus BeRadialOn).

The local display looks as follows:

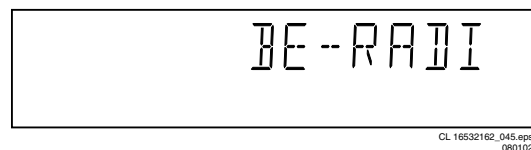


Figure 5-27

By pressing OPEN/CLOSE the user confirms that the radial function works. Pressing STOP indicates the function does not work. Pressing PLAY proceeds to the next test, after a reset of the radial (nucleus BeRadialOff). If the user presses PLAY before pressing OPEN/CLOSE or STOP, the result of this test will be TRUE (radial successful).

5.5.7 Jump Test (Listening Test)

The sixth and last Basic Engine test tests the jumping by calling nuclei BeGroovesIn, BeGroovesMid and BeGroovesOut. During this test, the local display looks as follows:

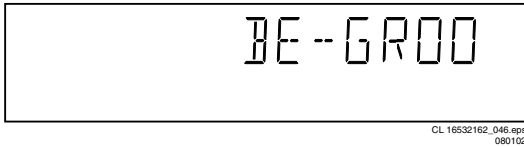


Figure 5-28

The user can switch between the three different types of groove settings by pressing OPEN/CLOSE (forward to next nucleus in the list In-Mid-Out), or STOP (backward in the list In-Mid-Out). This is done in a cyclic manner; note that this test will not contribute to the test result of the Basic Engine. Pressing PLAY proceeds to the next test, after the disc motor has been shut off with a call to nucleus BeDiscMotorOff.

5.5.8 Tray Test

As a last action for the Basic Engine tests, the tray test is repeated. The local display will look as follows:

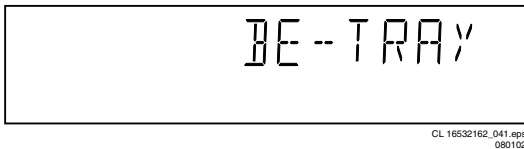


Figure 5-29

This test is meant to give the user the opportunity to remove the disc in the tray. The tray position can be toggled using the OPEN/CLOSE key. The tray will be closed (by the software, if it is open) before proceeding to the next test when the user presses the PLAY key.

5.5.9 Error Log (See Table on Page 25)

Reading the error log and error bits information can be useful to determine any errors that occurred recently during normal operation of the DVD player. Reading the error log is done by nucleus LogReadErr.

The display during the errorlog readout looks as follows :

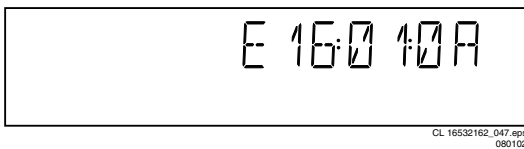


Figure 5-30

Note: Previous versions of the diagnostic software showed a 8-digit error code.

Due to limitations in the number of digits that can be displayed by some front panel displays, the most significant digits will not be shown. This can be done since all the error codes used by this player has set these 2 digits to "00"

By pressing OPEN/CLOSE or STOP the user can move forward or backward (respectively) through the logged error codes. If "0000" is displayed at all positions, the error log is empty. Display of the logged errors is done in a cyclic manner. By pressing PLAY on the local keyboard, the user can proceed to the next test.

5.5.10 Error Bits

Reading the error bits is done by nucleus LogReadBits. The display during the errorbits readout looks as follows:

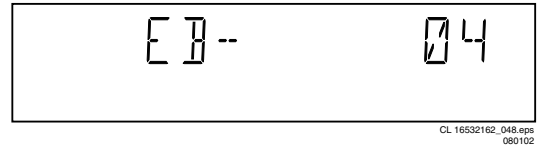


Figure 5-31

Only the identification number (decimal) representing set errorbits will be shown. By pressing OPEN/CLOSE or STOP, the user can move forward or backward (respectively) through the logged errorcodes. If the display only shows "EB-0", no error bits were set. By pressing PLAY the user can continue to the next test.

5.6 Loop Test (See Table Below)

At the start of the loop test, the local display of the DVD player will show the interactive player test result readout in the following display:

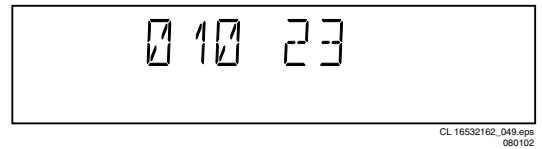


Figure 5-32

The left side of the display contains a 3-digit code, which can have a value between 000 and 111. These values indicate the faulty modules and are to be interpreted as follows:

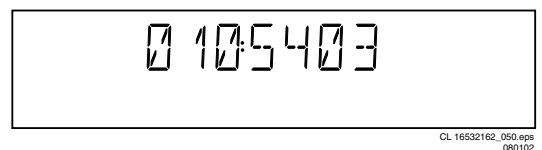
Displayed Value	Indication for each module		
	Basic Engine	Mono PCB	Display PCB
000	ok	ok	ok
001	ok	ok	faulty
010	ok	faulty	ok
011	ok	faulty	faulty
100	faulty	ok	ok
101	faulty	ok	faulty
110	faulty	faulty	ok
111	faulty	faulty	faulty

CL 96532065_031.eps 120799

Figure 5-33

The loop test will perform the same nuclei as the dealer test, but it will loop through the list of nuclei indefinitely. The display of the DVD player will display not only the three digits indicating correct/faulty modules and the last found error code (as mentioned, faults are detected as far as they can be within the scope of the diagnostic software), but also a loop counter indicating how many times the loop has been gone through. If an error was detected, the display will remain as in figure 5-34 until the user presses the PLAY key and then it will continue to the next loop.

Example:



CL 16532162_050.eps 080102

Figure 5-34

The 2-digit number (23) on the right of figure 5-32 indicates the number of times the loop test has been performed.

After one loop cycle: Display the 3-digit module bits together with the last error code which occurred in the loop test. The 4 digits at the right side of the display (fig. 5-34) show the last error that was found during the loop test. The leftmost two digits (54) of this code indicates which nucleus resulted in a fault. The rightmost two digits (03) refer to the faultcode within that nucleus. For further explanation of this error code, refer to chapter 5.8 (Nuclei Error Codes).

5.6.1 Errorlog

Explanation:

The application errors will be logged in the NVRAM. The maximum number of error bytes that will be visible is 16. The first word (4 digits) of the byte is the component identification, the last word is the error code.

The diagnostics software will present a combination of this component identification plus an error code on the local display (and on the attached terminal). The last reported error is shown as < 00000000, the oldest visible error as 00000000 > and the errors in between as < 00000000 >.

The devices that may report errors are the serial controller (UART), the basic engine (BE), the slave processor (SLPH), the SACD Stream Manager (SSM) and the SACD Media Access (SMA). The identification of these components is as follows:

Component name	Component identification
Serial controller (UART)	000A
Engine (BE)	0016
Slave Processor (SLPH)	001A
SACD Stream Manager (SSM)	001C
SACD Media Access (SMA)	002E
Diagnostic software (DS)	Dxxx

The tables in the next chapters list the error code and corresponding problem. The column 'Explanation' holds a more elaborate description and the most likely reason for the error.

Some Examples:

002E0000 (SMA reported a timeout error)
 0016010A (Engine could not fully close or open the tray)
 D0010001 (Flash checksum failed).

For further explanation of DS errors, see description of nuclei error codes in paragraph 5.8.

UART Error Codes

Error Number	Error name	Explanation
0000	BUF_OVE RFLOW	To many characters were offered in too little time. Reason: system was too busy doing other jobs.
0001	COMMUNI CATION	Usually a protocol error. Reason: bad connection between engine and processor.
0002	TIME OUT	

BE Errors

Error Number	Error name	Explanation
0101	S2B_ILL_CO MMAND	Parameter(s) not valid for this command. Reason: some communication problem between UART and engine.
0102	S2B_ILL_PAR AM	Command not allowed in this state or unknown. Reason: see S2B_ILL_COMMAND error

Error Number	Error name	Explanation
0103	S2B_SLEDGE	Sledge could not be moved to home position.
0104	S2B_FOCUS	Focus failure
0105	S2B_MOTOR	Motor could not reach speed within timeout
0106	S2B_RADIAL	Servo didn't get on track after several retries.
0107	S2B_PLL_LO CK	PLL could not lock in Accessing or Tracking state
0108	SBC_HEADE R_TO	Header timeout
0109	S2B_SBC_NO T_FOUND	Requested subcode item could not be found.
010A	S2B_TRAY	Tray could not be opened or closed completely.
010B	S2B_TOC_RE AD	TOC could not be read within timeout period.
010C	S2B_JUMP	Requested seek could not be performed.
010D	S2B_NON_EX IST_SES	Attempt to access a non-existing session.
010E	S2B_NON_EX IST_BCA	Caller tries to access a non-existing BCA area
010F	Speed setting	A wrong or inappropriate speed value has been set
0116	NO_DISC	No disc selected
011A	TRAY_INIT	After reset, initialized tray
011B	NO TOC INFO	No TOC information in lead-in area or erase TOC found
01F0	S2B_OVERR UN	Too many bytes received over S2B Reason: see S2B_ILL_COMMAND error
01F1	S2B_COMM_ TO	Not enough bytes are received over S2B Reason: see S2B_ILL_COMMAND error
01F2	S2B_PARITY	Byte received with parity error. Reason: see S2B_ILL_COMMAND error
01F3	S2B_ILL_PHA SE	CMD IDC is not valid, transmission out of sync. Reason: see S2B_ILL_COMMAND error
01F4	S2B_ILL_NR_ OF_BYTES	Byte count has an illegal value. Reason: see S2B_ILL_COMMAND error

SLPH Error Codes

Error Number	Error name	Explanation
0000	COMMUNICA TION	Error in I2C communication. Reason: bad connection between slave processor and main processor.

SSM Error Codes

Error Code	Error name	Explanation
0006	SP_SYNCER ROR	System cannot get synchronised with sectors coming from disc. Reason: Usually a damaged disc or the player was dropped/pushed during operation. If not, the engine is malfunctioning.
0007	SP_EDCERR OR	Data coming from disc is damaged. Reason: see SP_SYNCERROR

Error Code	Error name	Explanation
0008	SP_CONTINUITYERROR	Sequence of sectors coming from disc is incorrect. Reason: see SP_SYNCERROR
0009	DMX_CONTINUITYERROR	Sequence of sectors is incorrect. Reason: problem with buffer RAM
000A	LLD_ERROR	An illegal audio format was offered to the decoder. Reason: unknown audio type on disc or problem with buffer RAM
000B	BCU_ERROR	Internal problem in Furore chip

SMA Error Codes

Error Number	Error name	Explanation
0000	SMA_TIMEOUTERROR	Data coming from disc not in time. Reason: damaged disc or engine problem.

5.6.2 Reprogramming of New Mono Boards.**Caution**

This information is confidential and may not be distributed. Only a qualified service person should reprogram the mono board.

After reset of NV-memory or repair of the mono board, all the customer settings and also the region code will be lost.

Reprogramming of the mono board will put the player back in the state in which it has left the factory, i.e. with the default settings and the allowed region code.

Reprogramming is limited to 25 times

When the counter reaches 25, reprogramming is not possible anymore

Reprogramming will be done by way of the remote control.

Put the player in stop mode, no disc loaded.

Press the following keys on the remote control:

<PLAY> followed by numerical keys <1> <5> <9>

The display shows: “-----”

Press now successively the following keys :

for DVD963SA /001 : <2><2><2> <0><1><2><0><0>

for DVD963SA 171 : <1><1><1> <0><1><0><0><0>

for DVD963SA 691 : <3><2><3> <0><1><0><0><0>

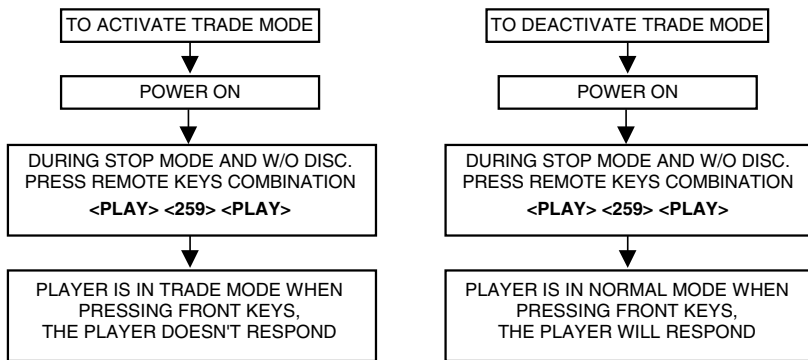
Press <PLAY> again.

The TV screen will become BLUE during a short time to confirm that the mono board has been reprogrammed.

Figure 5-35 Reprogramming code

5.6.3 Trade Mode

When the player is in Trade Mode, the player cannot be controlled by means of the front key buttons, but only by means of the remote control.



CL16532162_052.eps
0650102

Figure 5-36

Note: To activate and deactivate the Trade Mode with the disc in the player, the procedure is similar to above, except that the remote control keys combination is pressed at the instant when the local display is flashing "READING"

5.7 Menu and Command Mode Interface

5.7.1 Layout of Results Diagnostic Nuclei

Results returned from a Diagnostic Nucleus will be displayed in the following layout:
< number >< string > [ok | ER]

< number >: is a 4-digit decimal number padded with leading zeros if its value is less than 4 digits. The first 2 digits identify the generating nucleus (or group of nuclei) while the latter 2 digits indicate the error number.

< string >: is a text string containing information about the result of the Diagnostic Nucleus.

< number > and < string > are defined in [SSD_DN] in the output sections of each Nucleus.

Examples:

1. 0001Unknown command ER @
2. 3100OK @
3. 0901Data line X is not connected to the DRAM ER@

5.7.2 Command Mode Interface

Set-up Physical Interface Components

Hardware required:

- Service PC
- one free COM port on the Service PC
- special cable to connect DVD player to Service PC

The service PC must have a terminal emulation program (e.g. OS2 WarpTerminal or Procomm) installed and must have a free COM port (e.g. COM1). Activate the terminal emulation program and check that the port settings for the free COM port are: 19200 bps, 8 data bits, no parity, 1 stop bit and no flow control. The free COM port must be connected via a special cable to the RS232 port of the DVD player. This special cable will also connect the test pin, which is available on the connector, to ground (i.e. activate test pin).

Code number of PC interface cable: 3122 785 90017

Activation

Switch the player on and the following text will appear on the screen of the terminal (program):

```
DVDv4 Diagnostic Software version 5.03
(M)enu, (C)ommand or (S)2B interface ? [M]:@ C <enter>

SDRAM Interconnection test passed
Basic SDRAM test passed
Slave Processor: SLAVE2

DD:> CL 26532105_058.eps
020902
```

Figure 5-37

The first line indicates that the Diagnostic software has been activated and contains the version number. The second line lets the user choose the interface format. Enter 'C' to select Command Mode and the next three lines are the successful result of the two subsequent basic tests (nuclei 2, 4 and the detection of the display type used by the panel respectively). If not all these messages appear on the terminal screen, then the related nucleus found an error. The last line is the prompt ("DD>"). The diagnostic software is now ready to receive commands.

Command Overview of Nuclei

The following table gives an overview of all available nuclei. The first column contains an identification number, the second contains the name of a nucleus and the last column indicate the description of the nucleus.

Note: User confirmation is necessary during front panel tests

Table 5-1 Basic diagnostic nuclei

Ref. #	Reference Name	Remark
1	BasicSpAcc	Serial port Access test/ initialization
2a	BasicInterconDram	Data and address bus Interconnection (only for development)
2b	BasicInterconSdram	Data and address bus interconnection
3	BasicDramWrR	DRAM Write Read (only for development)
4	BasicSdramWrR	SDRAM Write Read

Table 5-2 Processor and peripherals

Ref. #	Reference Name	Remark
6	PapChksFl	Checksum FLASH
7a	PapUclkAclkCdda	uClock A_CLK in CD-DA mode
7b	PapUclkAclkDvd	uClock A_CLK in DVD mode
7c	PapUclkAclkDvd96	uClock A_CLK in DVD (96kHz) mode
10	PapFlashWrAcc	FLASH Write Access (only for development)
11	PapI2cNvram	I2C NVRAM access
12	PapI2cDisp	I2C Display PWB
13	PapS2bEcho	S2B Echo
14	PapS2bPass	S2B Pass-through
15	PapNvramWrR	NVRAM Write Read
62	PapChksSum	Show checksums stored in flash

Table 5-3 Components

Ref. #	Reference Name	Remark
16	CompSdramWrR	SDRAM Write Read

Table 5-4 Audio

Ref. #	Reference Name	Remark
19a	AudioMuteOn	Audio Mute On
19b	AudioMuteOff	Audio Mute Off
20a	AudioPinkNoiseOn	Audio Pinknoise On
20b	AudioPinkNoiseOff	Audio Pinknoise (or beep tone) Off
20c	AudioBeepToneOn	Audio Beep Tone On
21a	AudioSineOn	Audio Sine signal On/Off
21b	AudioSineBurst	Audio Sine signal Burst
56a	AudioLfePortHigh	Set the LFE_SEL port to HIGH
56b	AudioLfePortLow	Set the LFE_SEL port to LOW
65	DAC_I2C	Resets DAC and check I2C communication with DAC
66a	DAC_I2CEnable	Enable I2C communication to AV board
66b	DAC_I2CDisable	Disable I2C communication to AV board
67a	DAC_ClockInternal	Uses internal clock from monoboard for DAC (256fs)
67b	DAC_ClockExternal	Uses external clock for DAC (384fs)
68a	DAC_AudioPreMuteOn	Enable Audio Pre-mute pin
68b	DAC_AudioPreMuteOff	Disable Audio Pre-mute pin
69a	DAC_CenterOn	Enable Center on pin
69b	DAC_CenterOff	Disable Center on pin
79	DAC_Reset	Resets DAC
80a	DAC_ModeCDDA	Sets DAC to CDDA mode
80b	DAC_ModeDVD48	Sets DAC to DVD mode (48kHz)
80c	DAC_ModeDVD96	Sets DAC to DVD mode (96kHz)

Ref. #	Reference Name	Remark
80d	DAC_ModeDSD	Sets DAC to DSD mode
81a	DAC_LowPowerStandbyOn	Enable Low Power Standby
81b	DAC_LowPowerStandbyOff	Disable Low Power Standby
82a	DAC_UpsamplingFreq192k	Sets Upsampling frequency to 192kHz
82b	DAC_UpsamplingFreq96k	Sets Upsampling frequency to 96kHz
82c	DAC_UpsamplingOn	Enable upsampling
82d	DAC_UpsamplingOff	Disable upsampling

Table 5-5 Video

Ref. #	Reference Name	Remark
17a	VidPortOutAA	Output the value 0XAA at the Digital Video Interface Port
17b	VidPortOut55	Output the value 0X55 at the Digital Video Interface Port
23a	VideoColDencOnPAL	Colourbar (PAL) DENC On
23b	VideoColDencOff	Colourbar DENC Off
23c	VideoColDencOnNTSC	Colourbar (NTSC) DENC On
24a	VideoProgMPEGon	Progressive - DigitalVideo Colour Bar ON
24b	VideoYuvMPEGon	Enhanced YUV-DigitalVideo Colour Bar
25a	VideoScartLo	Scart Low
25b	VideoScartMi	Scart Medium
25c	VideoScartHi	Scart High
54	VideoScartSwComm	Scart Switch communication
55a	VideoScartSwDvd	Scart Switch Dvd
55b	VideoScartSwPass	Scart Switch Pass-through
57a	VideoScartPinLo	PIO-pins as used in 2A for Scart-switching
57b	VideoScartPinMi	PIO-pins as used in 2A for Scart-switching
57c	VideoScartPinHi	PIO-pins as used in 2A for Scart-switching
61a	VideoColOutRGB (ST5508)	Output RGB from ST5508
61b	VideoColOutYUV (ST5508)	Output YUV from ST5508

Table 5-6 Display (slave processor)

Ref. #	Reference Name	Remark
26	DispVer	Version number
27	DispKeyb	Keyboard
28	DispRc	Remote Control
29	DispLed	LEDs
30a	DispDisplay	VFT Display test
30b	DispLCDisplay	LCD Display test
30c	DispLCDBkLight	LCD Backlight test
60	DispP50	P50 loopback test

Table 5-7 Log (Error logging in Nvram)

Ref. #	Reference Name	Remark
31	LogReadErr	Read last Errors
32	LogReadBits	Read errors Bits
33	LogReset	Reset

Table 5-8 Miscellaneous

Ref. #	Reference Name	Remark
34	MiscReadConfig	Read Configuration area from NVRAM
35	MiscNvramReset	NVRAM Reset
36	MiscNvramMod	Modify NVRAM contents
46	MiscAppVer	Read version of application software
47a	MiscTrayOpenNr	Read the number of times the tray opened
47b	MiscPowerOnTime	Read the total time the player's power has been on
47c	MiscPlayTimeCddaVcd	Read the Playtime of CDDA and VCD discs
47d	MiscPlayTimeDvd	Read the Playtime of DVD discs

Table 5-9 Basic engine

Ref. #	Reference Name	Remark
37	BeVer	Version number
38a	BeFocusOn	Focus On
38b	BeFocusOff	Focus Off
39a	BeDiscmotorOn	Discmotor On
39b	BeDiscmotorOff	Discmotor Off
40a	BeRadialOn	Radial control On
40b	BeRadialOff	Radial control Off
41a	BeSledgeIn	Sledge Inwards
41b	BeSledgeOut	Sledge Outwards
42a	BeGroovesIn	jump Grooves to Inside
42b	BeGroovesMid	jump Grooves to Middle
42c	BeGroovesOut	jump Grooves to Outside
43a	BeTrayIn	Tray In
43b	BeTrayOut	Tray Out
44	BeReset	Reset Basic Engine
58a	LaserCdOn	CD Laser on
58b	LaserCdOff	CD Laser off
58c	LaserDvdOn	DVD Laser on
58d	LaserDvdOff	DVD Laser off
70	BedReadFlashID	Read flash memory manufacturer and device ID
71	BedCalcRomChecksum	Calculate ROM checksum
72	BedScratchTest	Test scratch detection circuit

Table 5-10 Furore IC

Ref. #	Reference Name	Remark
62	Furore_SdramWrR	Furore SDRAM Write Read test
63	Furore_SdramWrR Fast	Furore SDRAM interconnection test
64	Furore_Id	Furore version ID check
83	Furore_Reset	Furore reset

Ref. #	Reference Name	Remark
84a	Furore_High	Sets Furore output pins DSD_PCM0-9 to high
84b	Furore_Low	Sets Furore output pins DSD_PCM0-9 to low

Table 5-11 Karaoke (not available)

Ref. #	Reference Name	Remark
48a	KaraokeModeOff	Switch Karaoke mode off
48b	KaraokeModeOn	Switch Karaoke mode on
49	KaraokeMicInput	Check path from the microphone input to audio output
50a	KaraokeKeyOn	Set Karaoke Key to the maximum level (1200 cent)
50b	KaraokeKeyOff	Set Karaoke Key to flat octave (0 cent)
51a	KaraokeEchoOn	Set Echo Control function on
51b	KaraokeEchoOff	Set Echo Control function off

5.7.3 Menu Mode Interface

Activation

Switch the player on and the following text will appear on the screen of the terminal (program):

```
DVDv4 Diagnostic Software version 5.03

(M)enu, (C)ommand or (S)2B interface ? [M]:@ <enter>
SDRAM Interconnection test passed
Basic SDRAM test passed
Slave Processor: SLAVE2

Press ENTER to go to main menu
CC: > <enter>

MAIN MENU
1. Audio ...
2. Video ...
3. Front Panel ...
4. Basic Engine ...
5. Processor Peripherals ...
6. Error Log ...
7. Furore ...
8. Miscellaneous ...

Select > CL 26532105_059.eps
020902
```

Figure 5-38 Screen menu

The first line indicates that the Diagnostic software has been activated and contains the version number. The next lines are the successful result of the SDRAM interconnection test and the basic SDRAM test. The last line allows the user to choose between the four possible interface forms. If pressing M has made a choice for Menu Interface, the Main Menu will appear.

Layout of Menu and Submenu

The following menu layout will appear after starting up the DVD player in menu mode. The symbol "- -" indicates that the current menu choice will invoke the display of a submenu. The number between [] indicates the nucleus number. These numbers will not be shown on the screen.

Menus

MAIN MENU

- 1 Audio...
- 2 Video...
- 3 Front Panel...

- 4 Basic Engine...
- 5 Processor Peripherals...
- 6 Error Log...
- 7 Furore...
- 8 Miscellaneous...

First Level Submenus**MAIN > AUDIO MENU**

- 1 Mute...
- 2 Pink Noise...
- 3 Sine Wave...
- 4 Digital Ports...
- 5 Ext. DAC Board...

MAIN > VIDEO MENU

- 1 Colourbar...
- 2 Scart...
- 3 Digital Port...

MAIN > FRONT PANEL MENU

- 1 Slave Processor...
- 2 VFT Display [30a]
- 3 LCD Display [30b]
- 4 LCD BkLight [30c]
- 5 Keyboard [27]
- 6 LEDs [29]
- 7 Remote Control [28]
- 8 P50 Check [60]

MAIN > BASIC ENGINE MENU

- 1 Reset [44]
- 2 Version [37]
- 3 S2B...
- 4 Loader Mechanism...
- 5 Special Diagnostics...

MAIN > PROCESSOR PERIPHERALS MENU

- 1 Clock...
- 2 Flash...
- 3 NVRAM...
- 4 SDRAM Write/Read [16]

MAIN > ERROR LOG MENU

- 1 Read Last Errors [31]
- 2 Read Error Bits [32]
- 3 Reset Error Log [33]

MAIN > FURORE MENU

- 1 SDRAM Write/Read [63]
- 2 SDRAM Write/Read [64]
- 3 Chip Revision ID [65]
- 4 Set Output High [84a]
- 5 Set Output Low [84b]
- 6 Reset [83]

MAIN > MISCELLANEOUS MENU

- 1 Statistics Info...
- 2 Read DVD Application version [46]

Second Level Submenus**MAIN > AUDIO > MUTE MENU**

- 1 Mute On [19a]
- 2 Mute Off [19b]

MAIN > AUDIO > PINK NOISE MENU

- 1 Pink Noise On [20a]
- 2 Pink Noise / Beep Tone Off [20b]
- 3 Beep Tone On [20c]

MAIN > AUDIO > SINE WAVE MENU

- 1 Audio Sine On [21a]
- 2 Audio Burst On [21b]

MAIN > AUDIO > DIGITAL PORTS MENU

- 1 LFE_SEL High [56a]
- 2 LFE_SEL Low [56b]

MAIN > AUDIO > EXT DAC BOARD MENU

- 1. DAC Reset [79]
- 2. I2C Test...
- 3. Clock...
- 4. Audio...
- 5. Low Power Standby...
- 6. DAC Mode...

MAIN > VIDEO > COLOURBAR MENU

- 1 Colourbar DENC On (PAL) [23a]
- 2 Colourbar DENC On (NTSC) [23c]
- 3 Colourbar DENC/MPEG Off [23b]
- 4 ProgressiveScan MPEG On [24a]
- 5 Enhanced YUV MPEG On [24b]
- 6 Set Video Out To RGB [61a]
- 7 Set Video Out To YUV [61b]

MAIN > VIDEO > SCART MENU

- 1 I2C Scart IC Check [54]
- 2 Scart To DVD [55a]
- 3 Scart Pass Through [55b]
- 4 Scart Pin 8 Low (0 to 2)V [25a]
- 5 Scart Pin 8 Mid (4.5 to 7)V [25b]
- 6 Scart Pin 8 Hi(9.5 to 12)V [25c]

MAIN > VIDEO > DIGITAL PORT MENU

- 1 Video Port Out 0xAA [17a]
- 2 Video Port Out 0x55 [17b]

MAIN > FRONT PANEL > SLAVE PROCESSOR MENU

- 1 Bus Comms Check [12]
- 2 S/W Version [26]

MAIN > BASIC ENGINE > S2B MENU

- 1 S2B Echo [13]
- 2 S2B Pass-Through [14]

MAIN > BASIC ENGINE > MECHANISM MENU

- 1 Disc Motor...
- 2 Laser...
- 3 Tray...
- 4 Focus...
- 5 Radial...
- 6 Sledge...
- 7 Grooves...

MAIN > BASIC ENGINE > SPECIAL DIAGNOSTICS MENU

- 1 Read FlashID [70]
- 2 ROM Checksum [71]
- 3 Scratch Detector Test [72]

MAIN > PROCESSOR PERIPHERALS > PCM CLOCK MENU

- 1 PCM_CLK In CDDA Mode (11.3MHz) [8a]
- 2 PCM_CLK In DVD Mode (12.3MHz) [8b]
- 3 PCM_CLK In DVD96kHz Mode (24.6MHz) [8c]

MAIN > PROCESSOR PERIPHERALS > FLASH MENU

- 1 Verify FLASH Checksum [6]
- 2 Show FLASH Checksum [62]

MAIN > PROCESSOR PERIPHERALS > NVRAM MENU

- 1 I2C NVRAM Acces [11]
- 2 NVRAM Config [34]
- 3 NVRAM Reset [35]

- 4 NVRAM Modify [36]
- 5 NVRAM Read/Wr Test [15]

MAIN > MISCELLANEOUS > STATISTICS INFO MENU

- 1 Total Nr Of Times Tray Open [47a]
- 2 Total Time Power On [47b]
- 3 Total Play-Time CDDA & VCD [47c]
- 4 Total Play-Time DVD [47d]

Third Level Submenus

MAIN > AUDIO > EXT DAC BOARD > I2C TEST MENU

- 1. I2C Test [66a]
- 2. I2C Enable Pin On [66b]
- 3. I2C Enable Pin Off [66c]

MAIN > AUDIO > EXT DAC BOARD > CLOCK MENU

- 1. Clock Internal [67a]
- 2. Clock External [67b]
- 3. Clock Upsampling 192k (963 only) [82a]
- 4. Clock Upsampling 96k (963 only) [82b]
- 5. Clock Upsampling On (963 only) [82c]
- 6. Clock Upsampling Off (963 only) [82d]

MAIN > AUDIO > EXT DAC BOARD > AUDIO

- 1. Audio Pre-Mute On [68a]
- 2. Audio Pre-Mute Off [68b]
- 3. Audio Center On [69a]
- 4. Audio Center Off [69b]

*MAIN > AUDIO > EXT DAC BOARD > LOW POWER
STANDBY*

- 1. Low Power Standby On [81a]
- 2. Low Power Standby Off [81b]

MAIN > AUDIO > EXT DAC BOARD > DAC MODE MENU

- 1. DAC CDDA Mode [80a]
- 2. DAC DVD48 Mode [80b]
- 3. DAC DVD96 Mode [80c]
- 4. DAC DSD Mode [80d]

*MAIN > BASIC ENGINE > MECHANISM > DISC MOTOR
MENU*

- 1 Disc Motor On [39a]
- 2 Disc Motor Off [39b]

MAIN > BASIC ENGINE > MECHANISM > LASER MENU

- 1 CD Laser On [58a]
- 2 CD Laser Off [58b]
- 3 DVD Laser On [58c]
- 4 DVD Laser Off [58d]

MAIN > BASIC ENGINE > MECHANISM > TRAY MENU

- 1 Tray Open [43b]
- 2 Tray Close [43a]

MAIN > BASIC ENGINE > MECHANISM > FOCUS MENU

- 1 Focus On [38a] (load DVD first)
- 2 Focus Off [38b]

MAIN > BASIC ENGINE > MECHANISM > RADIAL MENU

- 1 Radial Control On [40a] (load DVD first)
- 2 Radial Control Off [40b]

MAIN > BASIC ENGINE > MECHANISM > SLEDGE MENU

- 1 Sledge Inwards [41a]
- 2 Sledge Outwards [41b]

*MAIN > BASIC ENGINE > MECHANISM > GROOVES (Uses
DVD) MENU*

- 1 Jump To Inside Grooves [42a]
- 2 Jump To Middle Grooves [42b]

- 3 Jump To Outside Grooves [42c]

5.8 Nuclei Error Codes

In the following tables the error description of the error codes will be described.

5.8.1 Audio Nuclei

Error code	Error text
1880	Test successful
1800	Test successful
1900	Test successful
1920	Test successful
2000	Test successful
2020	Test successful
2100	Test successful
5600	Test successful
5620	Test successful
7900	"Checksums = 0xA1, 0xB1, 0xC1, 0xD1"
7901	"DAC I2C bus busy"
7902	"DAC I2C expander "
8000	"Test successful"
8001	"DAC mode CDDA I2C bus busy before start"
8002	"DAC mode CDDA I2C connection failed"
8020	"Test successful"
8021	"DAC mode DVD48 I2C bus busy before start"
8022	"DAC mode DVD48 I2C connection failed"
8040	"Test successful"
8041	"DAC mode DVD96 I2C bus busy before start"
8042	"DAC mode DVD96 I2C connection failed"
8060	"Test successful"
8061	"DAC mode DSD I2C bus busy before start"
8062	"DAC mode DSD I2C connection failed"
8100	"Test successful"
8101	"Low Power Standby On I2C bus busy"
8102	"Low Power Standby On I2C connection failed"
8120	"Test successful"
8121	"Low Power Standby Off I2C bus busy"
8122	"Low Power Standby Off I2C connection failed"
8200	"Test successful"
8201	"DAC Upsample 192k I2C bus busy"
8202	"DAC Upsample 192k I2C connection failed"
8220	"Test successful"
8221	"DAC Upsample 96k I2C bus busy"
8222	"DAC Upsample 96k I2C connection failed"
8200	"Test successful"
8201	"DAC UpSample On bus busy"
8202	"DAC UpSample On I2C connection failed"
8200	"Test successful"
8201	"DAC UpSample Off bus busy"
8202	"DAC UpSample Off I2C connection failed"

5.8.2 Basic Engine Nuclei

Error code	Error text
3900	Test successful
3901	"Parity error from Basic Engine to Serial"
3902	"Unexpected response from Basic Engine"
3903	"Communication time-out error"
3904	"Basic Engine returned error number 0xXX"
3921	"Parity error from Basic Engine to Serial"
3922	"Unexpected response from Basic Engine"
3923	"Communication time-out error"
3924	"Basic Engine returned error number 0xXX"
3800	Test successful
3801	"Parity error from Basic Engine to Serial"
3802	"Unexpected response from Basic Engine"
3803	"Communication time-out error"
3804	"Basic Engine returned error number 0xXX"
3805	"Focus loop could not be closed"
3820	Test successful
3821	"Parity error from Basic Engine to Serial"
3822	"Unexpected response from Basic Engine"
3823	"Communication time-out error"
3824	"Basic Engine returned error number 0xXX"
4200	Test successful
4201	"Parity error from Basic Engine to Serial"
4202	"Unexpected response from Basic Engine"
4203	"Communication time-out error"
4204	"Basic Engine returned error number 0xXX"
4205	"Sledge could not be moved to home position"
4206	"Focus loop could not be closed"
4207	"Motor not on speed within time-out"
4208	"Radial loop could not be closed"
4209	"PLL could not lock in accessing or tracking state"
4210	"Subcode or sector information could not be read"
4211	"Requested subcode item could not be found"
4212	"TOC could not be read in time"
4213	"Seek could not be performed"
4220	Test successful
4221	"Parity error from Basic Engine to Serial"
4222	"Unexpected response from Basic Engine"
4223	"Communication time-out error"
4224	"Basic Engine returned error number 0xXX"
4225	"Sledge could not be moved to home position"
4226	"Focus loop could not be closed"
4227	"Motor not on speed within time-out"
4228	"Radial loop could not be closed"
4229	"PLL could not lock in accessing or tracking state"
4230	"Subcode or sector information could not be read"
4231	"Requested subcode item could not be found"
4232	"TOC could not be read in time"
4233	"Seek could not be performed"
4240	Test successful
4241	"Parity error from Basic Engine to Serial"

Error code	Error text
4242	"Unexpected response from Basic Engine"
4243	"Communication time-out error"
4244	"Basic Engine returned error number 0xXX"
4245	"Sledge could not be moved to home position"
4246	"Focus loop could not be closed"
4247	"Motor not on speed within time-out"
4248	"Radial loop could not be closed"
4249	"PLL could not lock in accessing or tracking state"
4250	"Subcode or sector information could not be read"
4251	"Requested subcode item could not be found"
4252	"TOC could not be read in time"
4253	"Seek could not be performed"
4000	Test successful
4001	"Parity error from Basic Engine to Serial"
4002	"Unexpected response from Basic Engine"
4003	"Communication time-out error"
4004	"Basic Engine returned error number 0xXX"
4005	"Radial loop could not be closed"
4020	Test successful
4021	"Parity error from Basic Engine to Serial"
4022	"Unexpected response from Basic Engine"
4023	"Communication time-out error"
4024	"Basic Engine returned error number 0xXX"
4400	Test successful
4401	Test successful
4100	Test successful
4101	"Parity error from Basic Engine to Serial"
4102	"Unexpected response from Basic Engine"
4103	"Communication time-out error"
4104	"Basic Engine returned error number XX"
4120	Test successful
4121	"Parity error from Basic Engine to Serial"
4122	"Unexpected response from Basic Engine"
4123	"Communication time-out error"
4124	"Basic Engine returned error number XX"
4300	Test successful
4301	"Parity error from Basic Engine to Serial"
4302	"Unexpected response from Basic Engine"
4303	"Communication time-out error"
4304	"Basic Engine returned error number 0xXX"
4320	Test successful
4321	"Parity error from Basic Engine to Serial"
4322	"Unexpected response from Basic Engine"
4323	"Communication time-out error"
4324	"Basic Engine returned error number 0xXX"
3700	"Version: X.Y.Z"
3701	"Parity error from Basic Engine to Serial"
3702	"Unexpected response from Basic Engine"
3703	"Communication time-out error"
3704	"Basic Engine returned error number 0xXX"
5800	Test successful

Error code	Error text
5820	Test successful
5840	Test successful
5860	Test successful
5801	"Unexpected response from Basic Engine"
7000	"Manuf. ID: <XX>" "Device ID: <YY>"
7001	"Comm Test Failed"
7002	"Load Cmd Failed"
7003	"Load Dat Failed"
7004	"Run Cmd Failed"
7100	"ROM Checksum: XXXX"
7101	"Comm Test Failed"
7102	"Load Cmd Failed"
7103	"Load Dat Failed"
7104	"Run Cmd Failed"
7201	"Comm Test Failed"
7200	"Test successful"
7202	"Load Cmd Failed"
7203	"Load Dat Failed"
7204	"Run Cmd Failed"
7205	"Scratch circuit not OK"

5.8.3 Display PWB Nuclei

Error code	Error text
3000	"Test successful"
3001	"Disp not responding"
3002	"Disp key no response"
3003	"One or more patterns not correct"
3004	"Disp type invalid"
3020	"Test successful"
3021	"Disp not responding"
3022	"Disp key no response"
3023	"One or more patterns not correct"
3040	"Test successful"
3041	"Disp not responding"
3042	"Disp key no response"
3043	"One or more patterns not correct"
2700	"Model name in wich the test is running"
2701	"Disp key no response"
2702	"Disp not responding"
2707	"Stop key not pressed"
2708	"Pause key not pressed"
2709	"Play key not pressed"
2710	"Open/close key not pressed"
2713	"Previous key not pressed"
2714	"Next key not pressed"
2715	"More than one key not pressed"
2716	" Audio key not pressed"
2900	"Test successful"
2901	"Slave not responding"
2902	"Slave keyboard not responding"
2903	"Standby led not working"
2800	"Test successful"
2801	"Slave display controller not responding"
2802	"Slave keyboard not responding"
2803	"No key press received from remote control"

Error code	Error text
2600	"The ROM version of the slave processor = 0xXX, and the internal ID = 0xYY"
2601	"I2c bus busy"
2602	"I2c bus not working"
6000	P50 test
6001	"No readback on P50"
6002	"Disp not responding "
6003	"P50 readback error"

5.8.4 Processor & Peripherals Nuclei

Error code	Error text
700	Test successful
720	Test successful
740	Test successful
600	"All checksums are correct"
601	"Following checksum is faulty: BootCode1 Checksum is 0xY2 and is not correct (must be 0xZ2)"
601	"This test is not available when stand-alone compiled"
6200	"Checksums = 0xA1, 0xB1, 0xC1, 0xD1"
6201	"This test is not available when stand-alone compiled"
1000	Test successful
1001	Test successful
1020	Test successful
1021	Test successful
1100	Test successful
1104	"NVRAM reply time-out"
1200	Test successful
1202	"Slave bus not working"
1203	"Slave controller not responding"
1204	"Slave response is not correct"
5900	Test successful
5901	"I2c bus busy"
5902	"I2c bus not working"
5904	"DTS chip response not correct"
1300	Test successful
1301	"Parity error from basic engine to serial"
1302	"Parity error from serial to basic engine"
1303	"No communication between serial and basic engine"
1304	"Communication time-out error"
1600	Test successful
1601	"The DVD SDRAM is faulty"

5.8.5 Log Nuclei

Error code	Error text
3100	"Show error log"
3101	"Error log is invalid"
3102	"Error log could not be read from NVRAM"
3103	"I2C bus busy before start"
3200	"Show error bit"
3201	"Error log is invalid"
3202	"I2C bus busy before start"
3203	"Error log could not be read from NVRAM"
3300	"Error log is cleared"
3301	"Error log could not be cleared"
3302	"I2C bus busy before start"

5.8.6 Miscellaneous Nuclei

Error code	Error text
3400	Test successful
3401	"The configuration data could not be read from NVRAM"
3402	"I2C bus busy before start"
3500	"NVRAM is cleared"
3501	"The NVRAM could not be reset."
3502	"I2C bus busy before start"
3600	"NVRAM contents updated."
	"NVRAM contents and configuration checksum updated."
3601	"NVRAM contents could not be updated."
3602	"I2C bus busy before start"
3603	"NVRAM contents could not be read"
3604	"NVRAM not accessible."
3605	"NVRAM checksum could not be updated."
1500	Test successful
1502	"NVRAM access time-out"
1504	"NVRAM fails"
5400	Test successful
5401	"I2c bus busy"
5402	"I2c bus not working"
5403	"Scart switch controller not responding"
5404	"Scart switch controller response not correct"
5500	Test successful
5501	"I2c bus busy"
5502	"I2c bus not working"
5520	Test successful
5521	"I2c bus busy"
5522	"I2c bus not working"
5523	"Scart switch controller not responding"
5200	Test successful
5201	"I2c bus busy"
5202	"I2c bus not working"
5300	Test successful

Error code	Error text
5301	"I2c bus busy"
5302	"I2c bus not working"
5320	Test successful
5321	"I2c bus busy"
5322	"I2c bus not working"
4700	"Number of times Tray went Open : XX"
4701	The total number of times tray went open could not be read from NVRAM.
4702	I2C bus busy before start
4720	"Total Power On time (minutes) : XX"
4721	The total power-on time could not be read from NVRAM.
4722	I2C bus busy before start
4740	"Total CDDA & VCD disks Play-time (minutes) : XX"
4741	The playtime of CDDA & VCD disks could not be read from NVRAM.
4742	I2C bus busy before start
4760	"Total DVD disks Play-time (minutes) : XX"
4761	The playtime of DVD disks could not be read from NVRAM.
4762	I2C bus busy before start
4600	"Version of Application Software : XX"
4601	"The application version could not be read from NVRAM."
4602	"I2C bus busy before start"

5.8.7 Video Nuclei

Error code	Error text
2300	Test successful
2320	Test successful
2340	Test successful
2400	Test successful
2401	"I2c bus busy"
2421	"I2c bus busy"
2441	"I2c bus busy"
2500	Test successful
2501	"I2c bus busy"
2502	"I2c bus not working"
2520	Test successful
2521	"I2c bus busy"
2522	"I2c bus not working"
2540	Test successful
2541	"I2c bus busy"
2542	"I2c bus not working"
6100	Test successful
6100	Test successful

5.8.8 Furore Nuclei

Error code	Error text
8300	"Test successful"
8301	"Invalid Version ID read. "
8400	"Test successful"
8420	"Test successful"

5.9 Test Instruction Front Display and Audio/ Video Board

These test instruction is designed specifically for SACD 2002 single disc models which has the following outputs:

- 6 Channel Audio output
- Coaxial / Optical digital output
- CVBS
- Component output YUV
- SVHS
- Double SCART output
- Front Display

5.9.1 General

- All the waveforms measurement carried out in these test instruction will be base on the testpoint indicated in the A/V Board and Front Display schematic diagram in the Service manual.
- Impedance of the measuring-equipment should be $> 1M\Omega$
- Most of the tests can be done using either the Diagnostic software "Player script" which can be found in the chapter "Diagnostic Software description and troubleshooting" or the Menu interface using the Service PC with a terminal emulation program (e.g. Window Hyperterminal) where it is possible to control the execution of the Diagnostic Nuclei
- Setup for the measurement will be done in set level with all modules connected as shown in the Wiring Block diagram.

5.9.2 General Start-Up Measurement

Supply Check:

Before starting the measurement,ensure that all power supply are connected to the A/V and Front Display board via conn.1420 and 1108 respectively.

Pin nr.	A/V Board	Front Display
Voltage	Conn. 1420	Conn. 1108
1	+3V3_Power	-
2	+3V3_Power	-
3	GND	-
4	+12V_Power	-
5	+12VSTBY	-
6	GND	+5VSTBY
7	+5VSTBY	+12V_Power
8	GND	-32V_Power
9	-12V_Power	-
10	GND	-
11	-32V_Power	-
12		-

Clock Check

Ensure the present of the clock to the DAC and the slave μP .

Clock Name	Testpoint	Frequency
PCM_CLK	I116	11.2896MHz \pm 0.02% tolerance
XOUT	S1	8MHz \pm 0.2% tolerance

Audio Mute Check

Measure the Audio mute voltage input at pin 22 of connector 1421

Status	Value
AudioMuteOn	HIGH ($>3V$)
AudioMuteOff	LOW ($<3V$)

To toggle between ON and OFF,use the following commands:

Ref.#	Command Name	Remarks
19a	AudioMuteOn	Audio Mute On
19b	AudioMuteOff	Audio Mute Off

5.9.3 Audio DAC And Amplifier

Ensure that the Audio mute signal is OFF

To check the DAC and buffer amplifier,send the following commands.

Ref.#	Command Name	Remarks	Audio output
21a	AudioSineOn	Audio Sine signal ON	Sine,1Khz on stereo
----	Press stop button	Audio Sine signal OFF	No waveform
20a	AudioPinkNoiseOn	Audio Pinknoise ON	Pink Noise on 6 channels
20b	AudioPinkNoiseOff	Audio Pinknoise OFF	No waveform

The audio signal (sine or pink noise) will also be present on the digital output (SPDIF).This can be checked by connecting digital signal to an amplifier with digital input.

Check the I2S and audio signal at the following testpoints:

Name	Testpoint
PCM_LRCLK	I112
PCM_SCLK	I114
PCM_CLK	I116
SDT1	I110
SDT2	I106
SDT3	I102
DIG_OUT	I629
STEREO L/R OUT	I510 / I520
FRONT L/R OUT	I552 / I524
SURROUND L/R OUT	I533 / I536
CENTRE OUT	I530
SUB WOOFER L/R OUT	I527

All waveforms can be refered to the A/V board schematic diagram.

5.9.4 Video Output And Buffer Amplifier

Check DC output-level at all video cinch output : 1.0V DC \pm 10%

Generate a color bar using the following software commands:

Ref.#	Command Name	Remarks
23a	VideoColDencOn	Colour DENC ON
23b	VideoColDencOff	Colourbar DENC OFF

Check the video outputs at the following testpoints:

Name	Testpoint
GREEN_SCART	I601
BLUE_SCART	I600
RED_SCART	I602
CVBS out_Mono	I662
C_Mono	I675
Y_Mono	I667

ll waveforms can be refered to the A/V board schematic diagram.

5.9.5 Play and 16/9 Detection

Check DC voltage at S-VIDEO-CHROMA output (pin 4) with a 6k8 ohm load and SCART connector 1403 (pin 16) and change the SCART0 and SCART1 input using the following commands:

Ref.#	Command Name	Remarks
25a	VideoScartLo	Sends out 0V \pm 0.5V
25b	VideoScartMi	Sends out 6V \pm 10%

Ref.#	Command Name	Remarks
25c	VideoScarHi	Sends out 12V \pm 10%

5.9.6 Kill Circuit

To check the functionality of the Kill circuitry, the audio outputs has to be present by the following command:

Ref.#	Command Name	Remarks	Audio output
21a	AudioSineOn	Audio Sinewave ON	1kHz tone

Check the audio outputs at the audio cinch of the A/V and SCART board: 1kHz tone.

Activate the Kill circuit by using the following command:

Ref.#	Command Name	Remarks
19a	AudioMuteOn	Audio Mute On

Check the audio outputs at the audio L/R cinch and SCART of the A/V and SCART board respectively: No waveform
Switch off the kill circuit by using the following command:

Ref.#	Command Name	Remarks
19b	AudioMuteOff	Audio Mute Off

Check the audio outputs at the audio L/R cinch and SCART of the A/V and SCART board: 1kHz tone

5.9.7 Digital Silence

Digital silence is a signal from the audio DAC7301 (MFL,MFR) and DAC7300 (MSR/MC), when there is no input to the audio DAC, or when the player is in STOP/PAUSE mode, or during disc changing track.

To check the MFL signal, use the following command and check the voltage level at pin 41 of 7200:

Ref.#	Command Name	Remarks	KILL_LR signal
21a	AudioSineOn	Audio Sinewave ON	LOW (<0.3V)
---	Press STOP button	Audio Sine signal OFF	HIGH (>4.5V)

5.9.8 Front Display

To check the segment display of the FTD, the following command can be used. And for full detail description of the test, refer to the chapter of "Diagnostic Software Player Script" which can be found in chapter "Diagnostic Software Description and Troubleshooting"

Ref.#	Command Name	Remarks
30a	DispDisplay	Turn ON local display

5.9.9 IR Receiver

Check at pin 22 of 7401 and observe if this line switches from LOW (<0.3V) to HIGH (>4.5V) when pressing a key on a philips RC5 or RC6 remote control

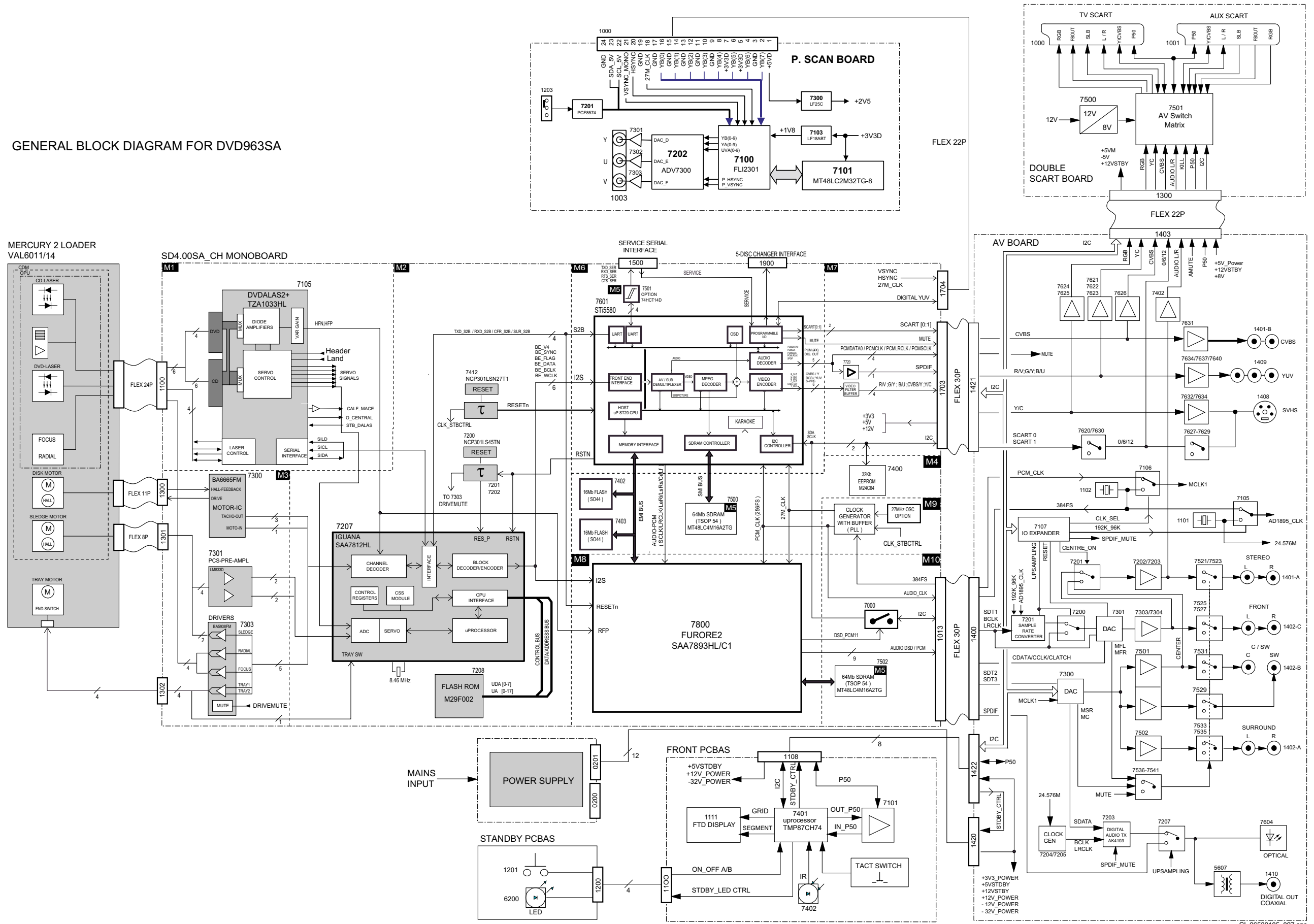
5.9.10 P50 Interface

P50 (or Easylink) is a bi-directional serial interface for communication between video equipment. To check for the functionality of the P50 Interface, refer to the chapter of 'Diagnostic Software Player Script' for full detail description.

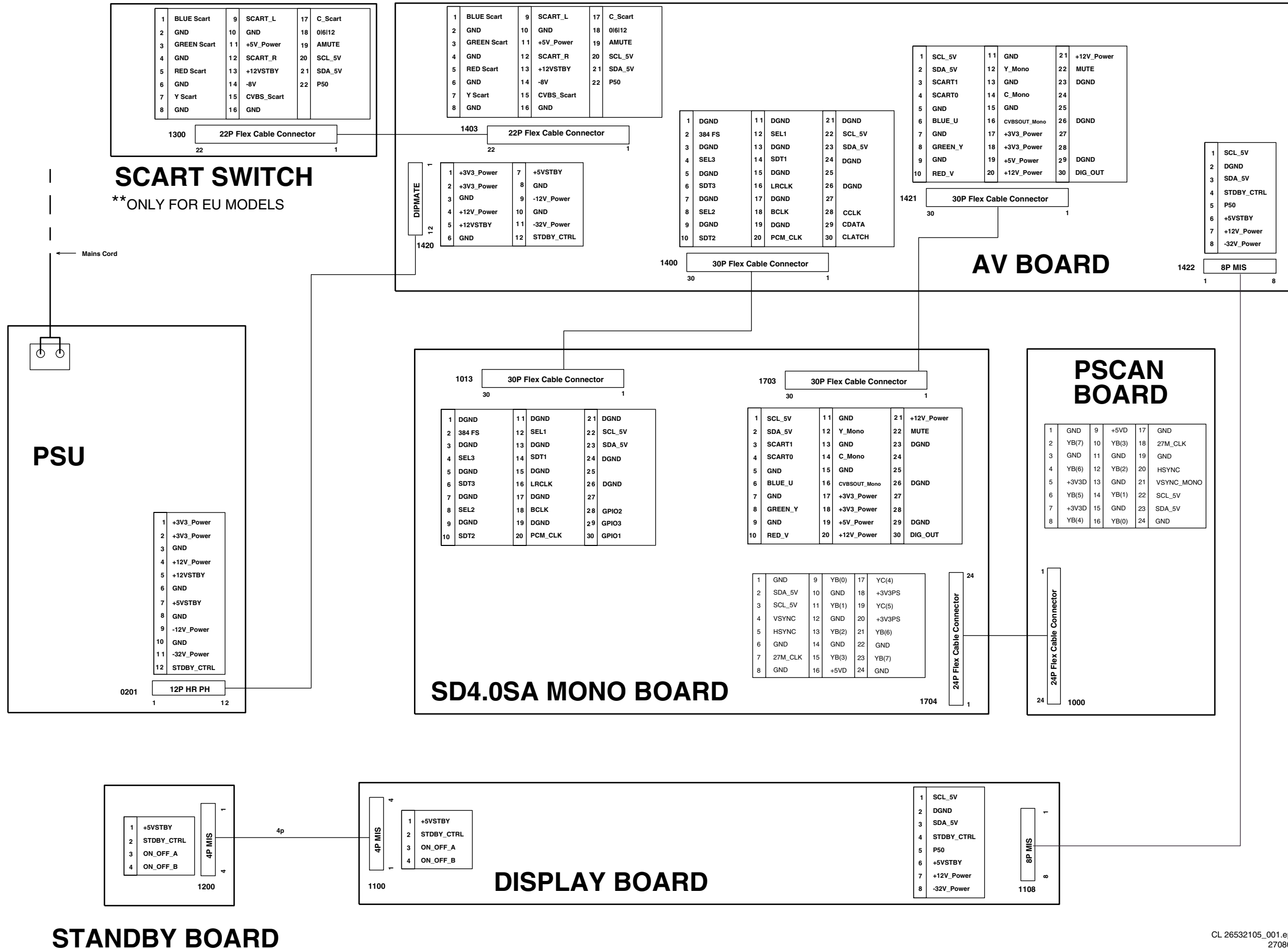
6. Block and Wiring Diagram.

Block Diagram DVD963SA

GENERAL BLOCK DIAGRAM FOR DVD963SA

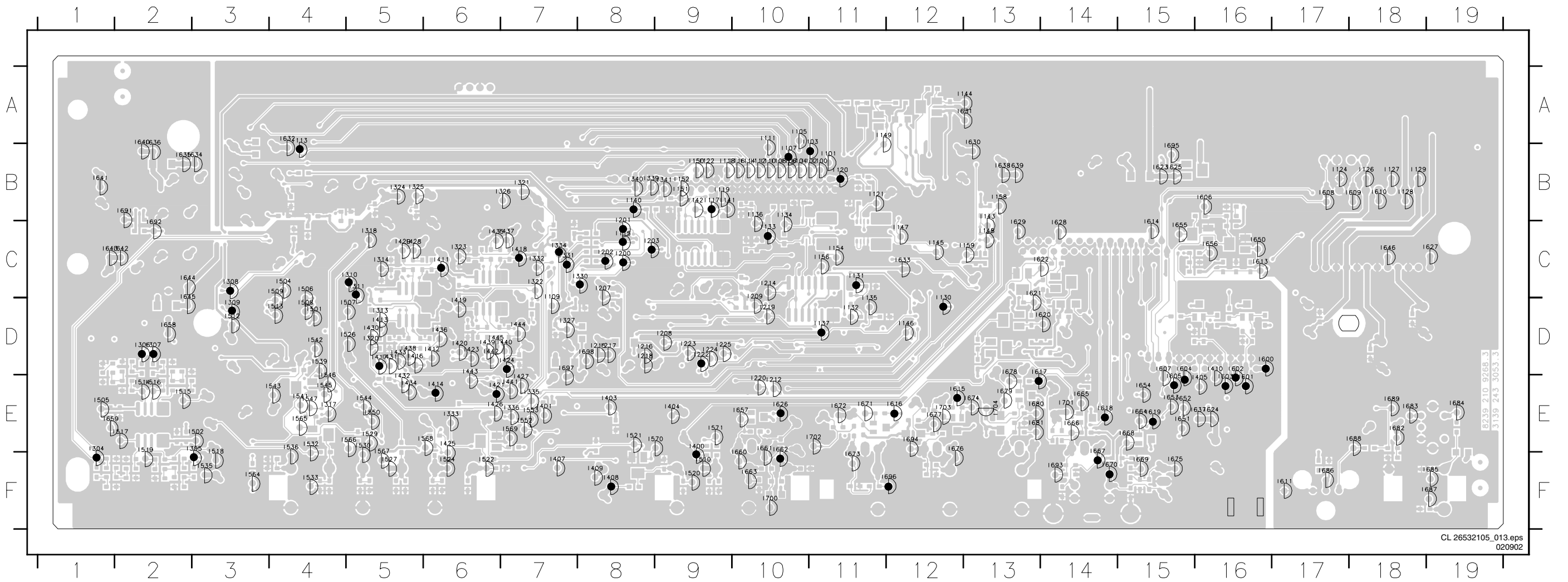


Wiring Diagram DVD963SA



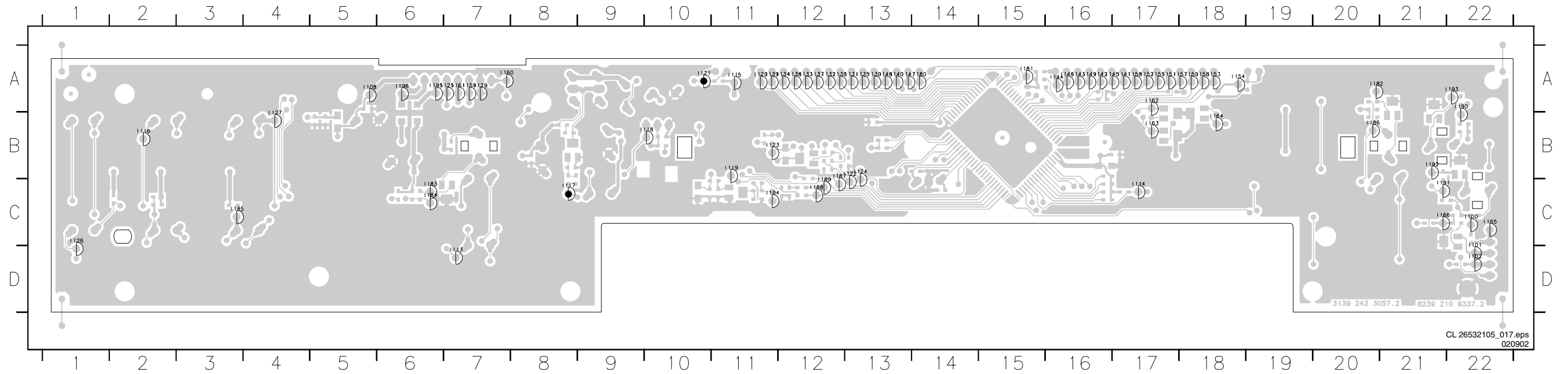
Testpoint Overview A/V Board

I100	B11	I115	C8	I132	D11	I149	B11	I212	E10	I307	D2	I326	B7	I404	E9	I421	E6	I437	C7	I508	D4	I526	D5	I547	E4	I603	E16	I619	E15	I634	B3	I652	E15	I667	F14	I682	E18	I698	D8
I101	B11	I116	B10	I133	C10	I150	B9	I214	C10	I308	C3	I327	D7	I405	E16	I423	D6	I438	D5	I509	D4	I527	F5	I550	E5	I604	E15	I620	D14	I635	B2	I653	E15	I668	E15	I683	E18	I700	F10
I102	B10	I117	B9	I134	C10	I151	B9	I215	D8	I309	D3	I330	C8	I407	F7	I424	D7	I439	D6	I510	F9	I529	E5	I552	E7	I605	E15	I621	D13	I636	B2	I654	E15	I669	F15	I684	E19	I701	E14
I103	B11	I118	B9	I135	D11	I152	B9	I216	D8	I310	C5	I331	C7	I408	F8	I425	F6	I440	D7	I512	D3	I530	F5	I553	E7	I606	B16	I622	C14	I637	E16	I655	C15	I670	F14	I685	F19	I702	E11
I104	B10	I119	B9	I136	C10	I154	C11	I217	D8	I311	C5	I332	C7	I409	F8	I426	E6	I441	E7	I513	D4	I532	F4	I564	F3	I607	E15	I623	B15	I638	B13	I656	C16	I671	E11	I686	F17	I703	E12
I105	A10	I120	B11	I137	D11	I156	C11	I218	D8	I313	D5	I333	E6	I410	E16	I427	E7	I442	D6	I514	E2	I533	F4	I565	E4	I608	B17	I624	E16	I639	B13	I657	E10	I672	E11	I687	F19	I704	E13
I106	B10	I121	B11	I140	B8	I158	B13	I219	D10	I314	C5	I334	C7	I411	C6	I428	C5	I443	E6	I515	E2	I535	F3	I566	E5	I609	B18	I625	B15	I640	B2	I658	D2	I673	F11	I688	E18		
I107	B10	I122	B9	I141	B9	I159	C13	I220	E10	I317	E4	I335	E7	I412	D6	I429	C5	I444	D7	I516	E2	I536	F4	I567	F5	I610	B18	I626	E10	I641	B1	I659	E1	I674	E13	I689	E18		
I108	B10	I124	B17	I142	B9	I200	C8	I222	D9	I318	C5	I336	E7	I413	D5	I430	D5	I445	D6	I517	E2	I539	D4	I568	E6	I611	F17	I627	C19	I642	C2	I660	F10	I675	F15	I691	B2		
I109	D7	I126	B18	I143	C13	I201	C8	I223	D9	I320	D5	I339	B8	I414	E6	I431	D5	I501	D4	I518	F3	I541	E4	I569	E7	I613	C16	I628	C14	I643	C1	I661	F10	I676	F12	I692	C2		
I110	B10	I127	B18	I144	A13	I202	C8	I224	D9	I321	B7	I340	B8	I416	D5	I432	E5	I502	E3	I519	F2	I542	D4	I570	E9	I614	C15	I629	C13	I644	C2	I662	F10	I677	E12	I693	F14		
I111	B10	I128	B18	I145	C12	I203	C8	I225	D9	I322	C7	I341	B9	I417	D5	I433	D5	I504	C4	I520	F9	I543	E4	I571	E9	I615	E12	I630	B13	I645	D2	I663	F10	I678	E13	I694	E12		
I112	B10	I129	B18	I146	D12	I207	C8	I304	F1	I323	C6	I400	F9	I418	C7	I434	E5	I505	E1	I521	E8	I544	E5	I600	D16	I616	E12	I631	A13	I646	C18	I664	E15	I679	E13	I695	B15		
I113	B4	I130	D12	I147	C12	I208	D9	I305	F3	I324	B5	I401	E7	I419	D6	I435	C6	I506	D4	I522	F6	I545	E4	I601	E16	I617	E13	I632	B4	I650	C16	I665	E14	I680	E13	I696	F12		
I114	B10	I131	C11	I148	C13	I209	D10	I306	D2	I325	B5	I403	E8	I420	D6	I436	D6	I507	D5	I524	F6	I546	E4	I602	E16	I618	E14	I633	C12	I651	E15	I666	E14	I681	E13	I697	E7		



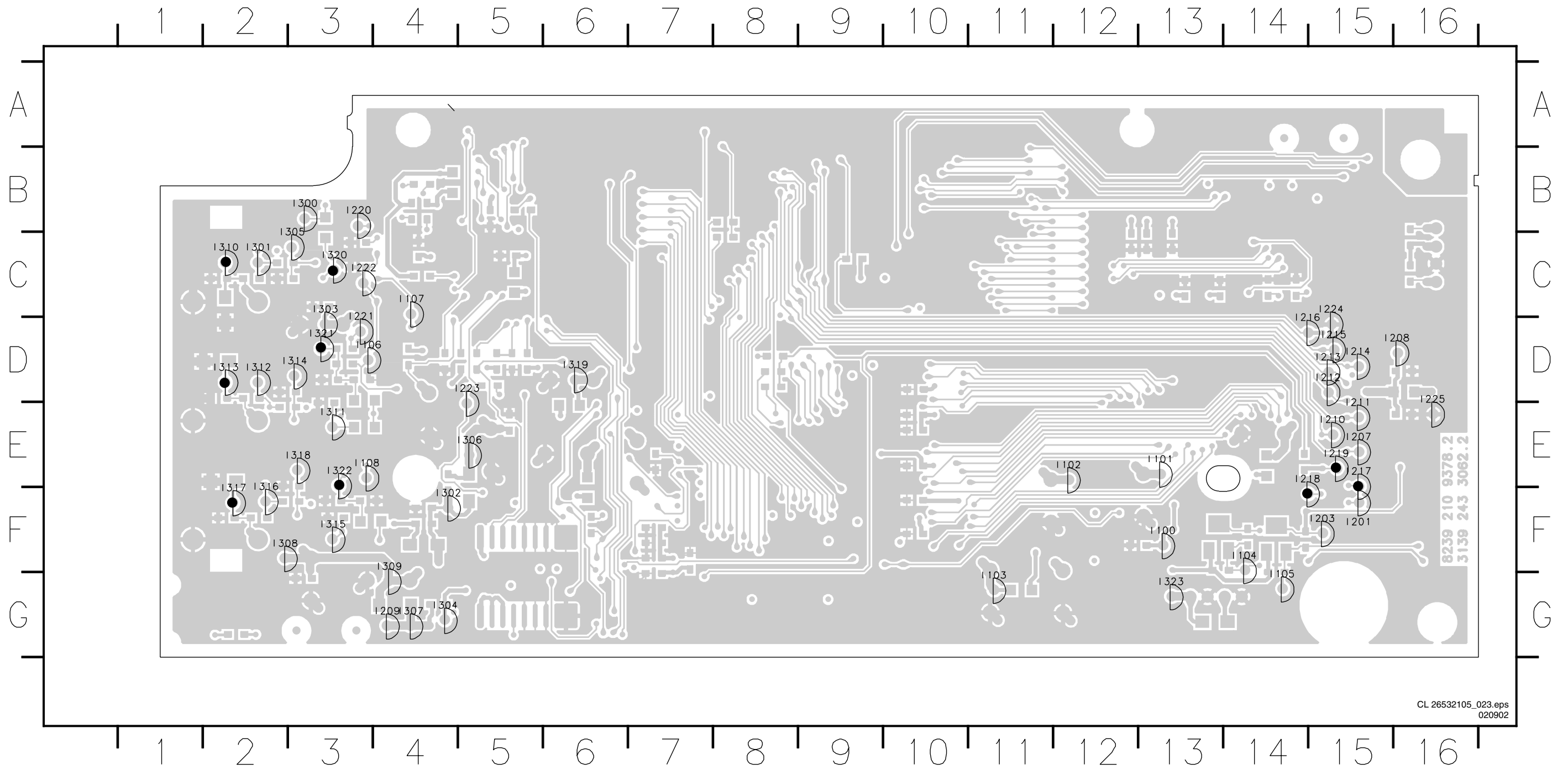
Testpoint Overview Display Panel

I100 C22	I113 D7	I117 C8	I121 A10	I125 A7	I130 A13	I134 A12	I138 A12	I142 A16	I146 A16	I150 A18	I154 A18	I158 A17	I162 A17	I166 C21	I183 C6	I187 C12	I191 C21	I195 A6
I101 D22	I114 C17	I118 B10	I122 C13	I126 D1	I131 A13	I135 A13	I139 A11	I143 A16	I147 A13	I151 A17	I155 A17	I159 A7	I163 B17	I180 A14	I184 C6	I188 C12	I192 B21	I196 A6
I102 D22	I115 A11	I119 B11	I123 B11	I127 B4	I132 A12	I136 A12	I140 A13	I144 A16	I148 A13	I152 A17	I156 A18	I160 A7	I164 B18	I181 A15	I185 C3	I189 C12	I193 A22	
I108 A5	I116 B2	I120 A11	I124 C13	I129 A7	I133 A12	I137 A12	I141 A17	I145 A16	I149 A16	I153 A18	I157 A18	I161 A7	I165 C22	I182 A20	I186 B20	I190 B22	I194 C11	



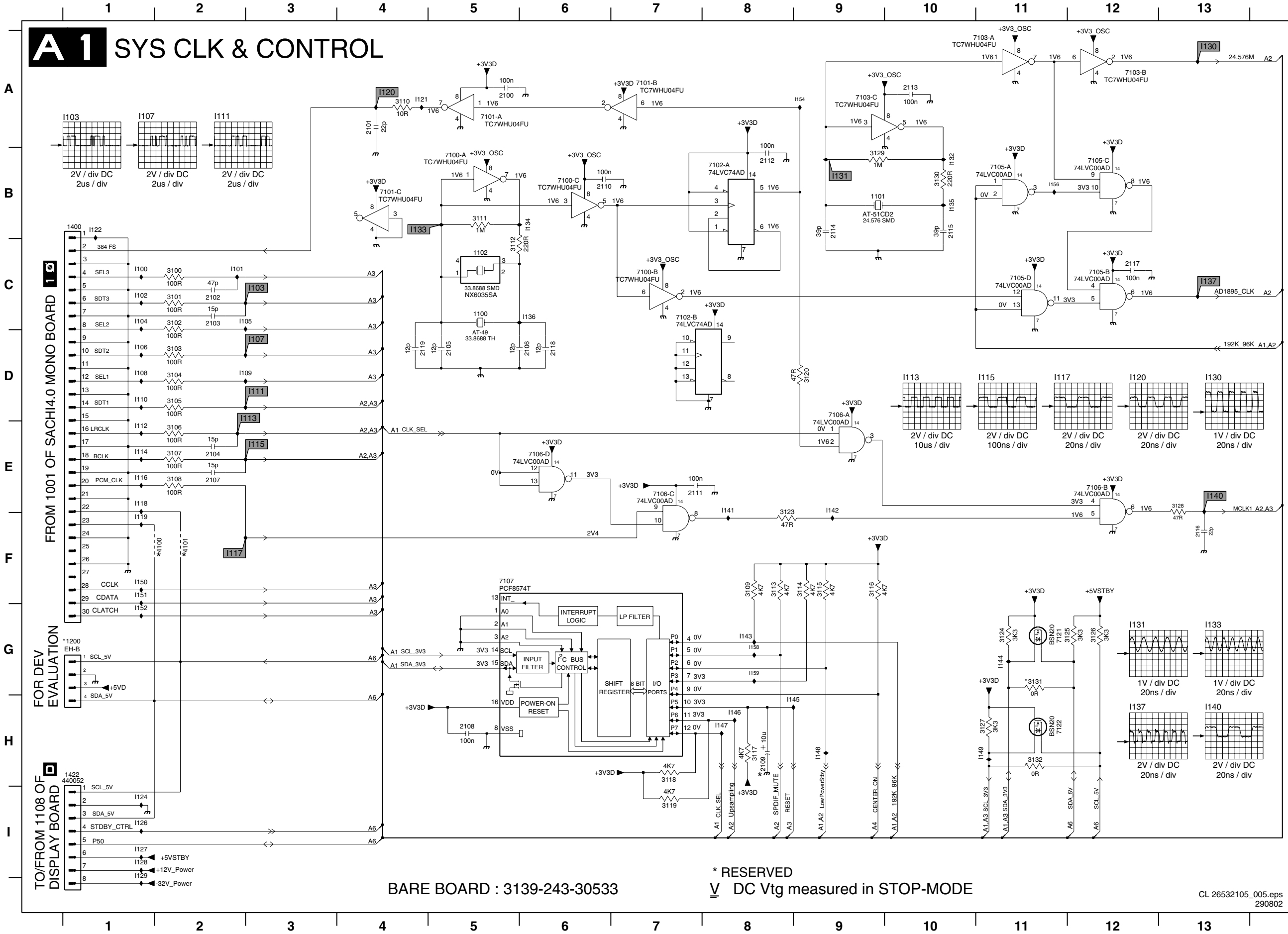
Testpoint OverviewP-Scan Board

I100	G13	I104	G14	I108	F3	I208	E16	I212	E15	I216	E14	I220	C3	I224	E15	I302	G4	I306	F5	I310	D2	I314	E3	I318	F3	I322	F3
I101	F13	I105	H14	I201	G15	I209	H4	I213	E15	I217	F15	I221	E3	I225	F16	I303	E3	I307	H4	I311	F3	I315	G3	I319	E6	I323	H13
I102	F12	I106	E3	I203	G15	I210	F15	I214	E15	I218	G14	I222	D3	I300	C3	I304	H4	I308	G2	I312	E2	I316	G2	I320	D3		
I103	H11	I107	D4	I207	F15	I211	F15	I215	E15	I219	F15	I223	F5	I301	D2	I305	D3	I309	H4	I313	E2	I317	G2	I321	E3		



AV-Board: Clock & Control

A1 SYS CLK & CONTROL

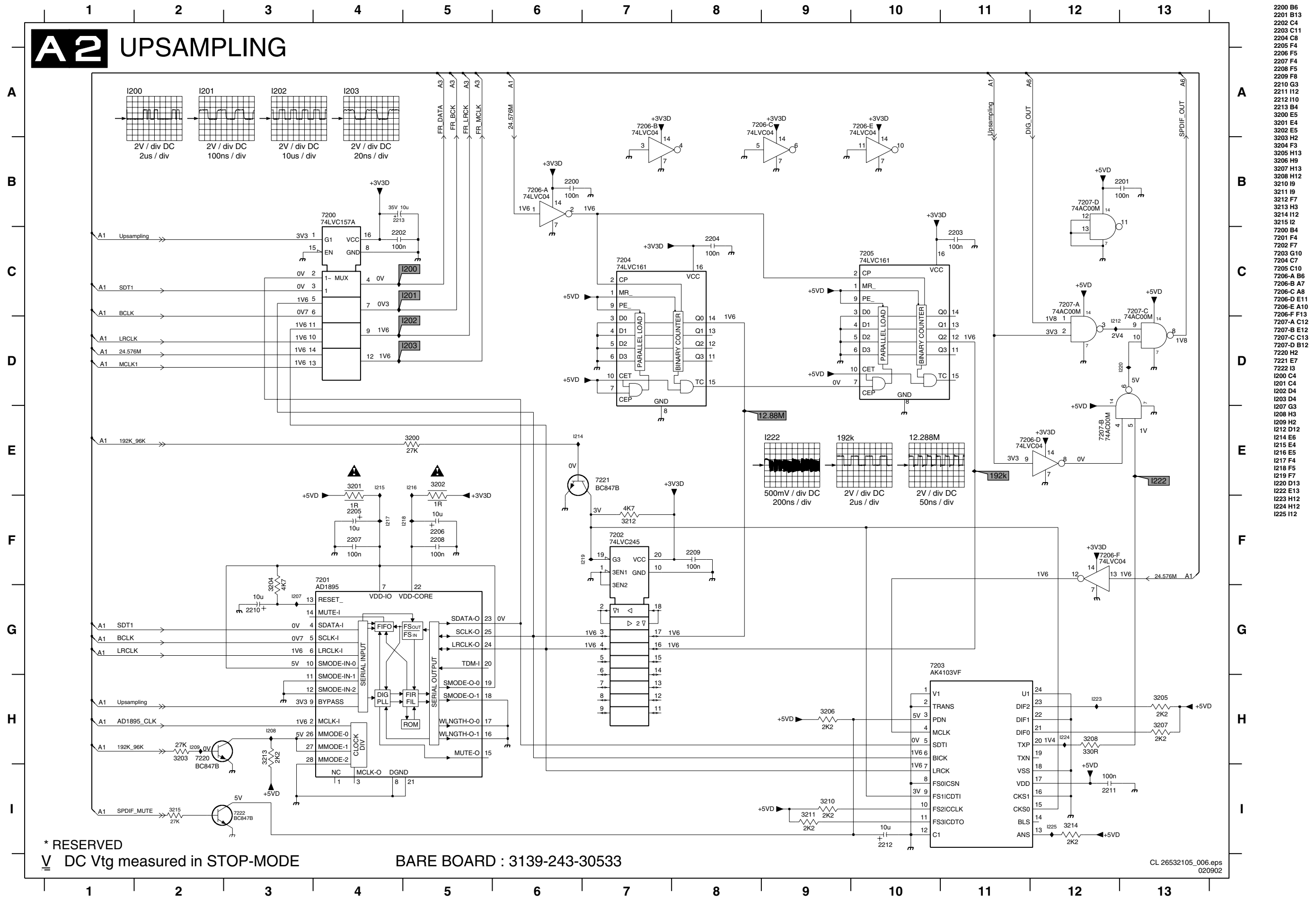


- 1100 C5
- 1101 B9
- 1102 C5
- 1200 G1
- 1400 B1
- 1422 H1
- 2100 A5
- 2101 A4
- 2102 C2
- 2103 C2
- 2104 E2
- 2105 D5
- 2106 D6
- 2107 E2
- 2108 H5
- 2109 H8
- 2110 B6
- 2111 E7
- 2112 B8
- 2113 A10
- 2114 B9
- 2115 B10
- 2116 F13
- 2117 C12
- 2118 D6
- 2119 D4
- 3100 C2
- 3101 C2
- 3102 C2
- 3103 D2
- 3104 D2
- 3105 D2
- 3106 E2
- 3107 E2
- 3108 E2
- 3109 F8
- 3110 A4
- 3111 B5
- 3112 C5
- 3113 F8
- 3114 F9
- 3115 F9
- 3117 H8
- 3118 H7
- 3119 I7
- 3120 D9
- 3123 F8
- 3124 G11
- 3125 G12
- 3126 G12
- 3127 H11
- 3128 E13
- 3129 B9
- 3130 B10
- 3131 G11
- 3132 H11
- 4100 F2
- 4101 F2
- 7100-A B5
- 7100-B C7
- 7100-C B6
- 7101-A A5
- 7101-B A7
- 7101-C B4
- 7102-A B8
- 7102-B C7
- 7103-A A10
- 7103-B A12
- 7103-C A9
- 7105-A B11
- 7105-B C12
- 7105-C B12
- 7105-D C11
- 7106-A D9
- 7106-B E12
- 7106-C E7
- 7106-D E6
- 7107 F5
- 7121 G11
- 7122 H11
- I100 C1
- I101 C2
- I102 C1
- I103 C2
- I104 C1
- I105 C2
- I106 D1
- I107 D2
- I108 D1
- I109 D1
- I110 D1
- I111 D2
- I112 E1
- I113 E2
- I114 E1
- I115 E2
- I116 E1
- I117 F2
- I118 E1
- I119 F1
- I120 A4
- I121 A4
- I122 B1
- I124 I1
- I126 I1
- I127 I1
- I128 I1
- I129 I1
- I130 A13
- I131 B9
- I132 B10
- I133 B5
- I134 B6
- I135 B10
- I136 C6
- I137 C13
- I140 E13
- I141 E8
- I142 E9
- I143 G8
- I144 G11
- I145 H8
- I146 H8
- I147 H8
- I148 H9
- I149 H11
- I150 F1
- I151 F1
- I152 G1
- I154 A9
- I156 B11
- I158 G8
- I159 G8

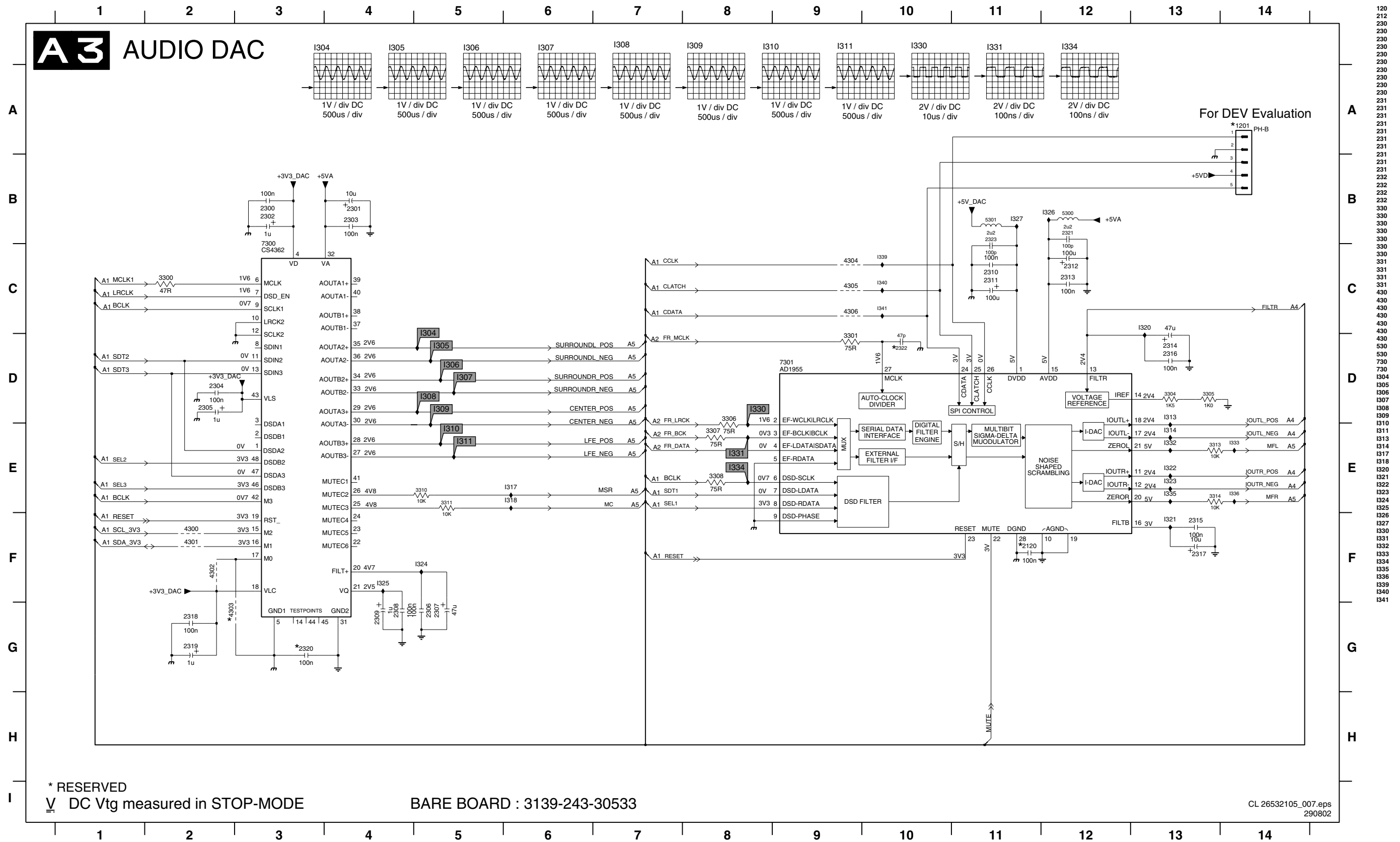
BARE BOARD : 3139-243-30533

* RESERVED
 V DC Vtg measured in STOP-MODE

AV-Board: Upsampling

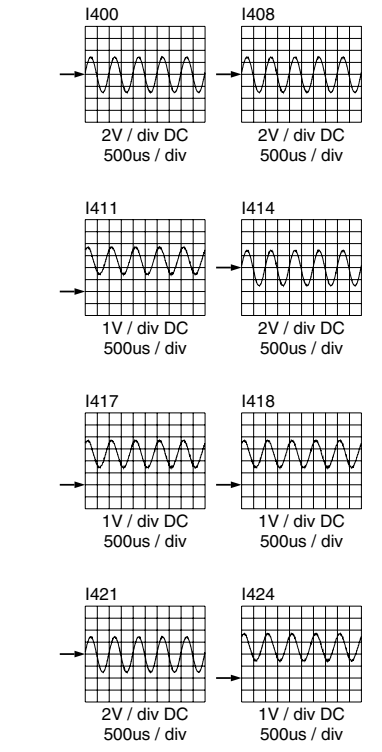
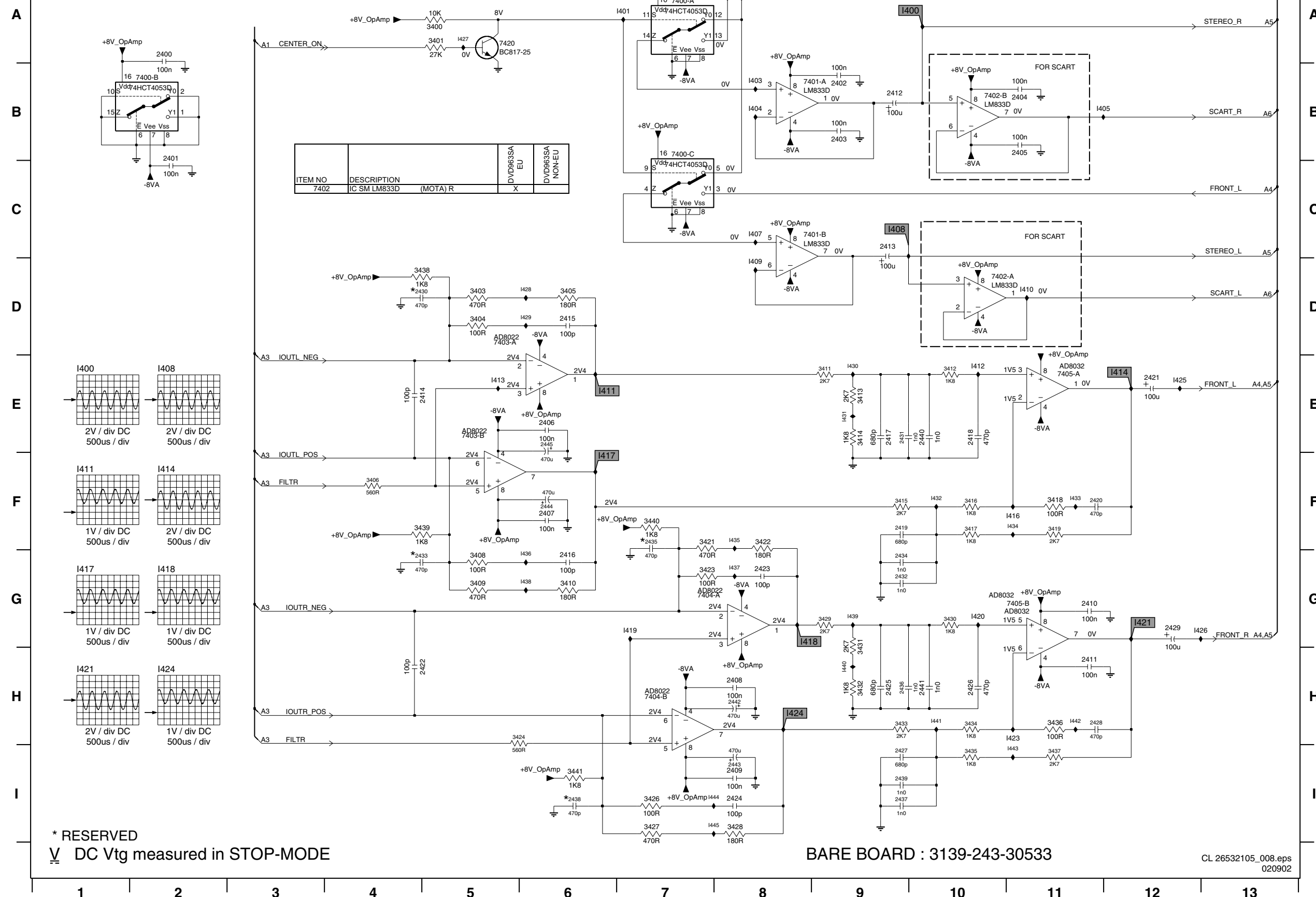


AV-Board: Audio DAC



AV-Board: Current to Voltage Converter

A 4 Current to Voltage Converter



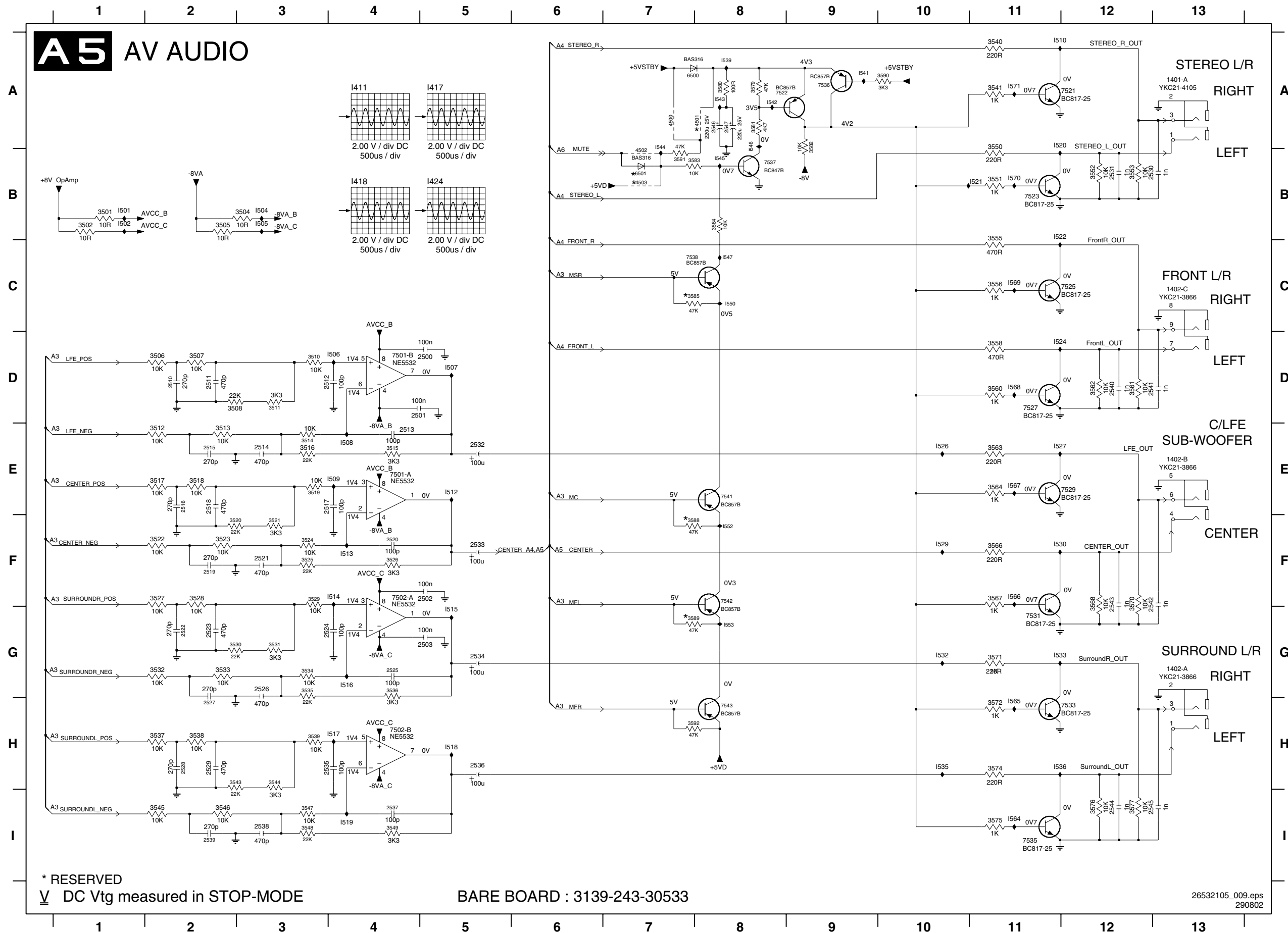
* RESERVED
 V DC Vtg measured in STOP-MODE

BARE BOARD : 3139-243-30533

CL 26532105_008.eps
 Q20902

- 2400 A2
- 2401 C2
- 2402 B9
- 2403 B9
- 2404 B11
- 2405 B11
- 2406 E6
- 2407 F6
- 2408 H8
- 2409 I8
- 2410 G11
- 2411 H11
- 2412 B9
- 2413 C9
- 2414 E4
- 2415 D6
- 2416 G6
- 2417 E9
- 2418 E10
- 2419 F9
- 2420 F11
- 2421 E12
- 2422 H4
- 2423 G8
- 2424 I8
- 2425 H9
- 2426 H10
- 2427 I9
- 2428 H11
- 2429 G12
- 2430 D4
- 2431 E9
- 2432 G9
- 2433 G4
- 2434 G9
- 2435 F7
- 2436 H9
- 2437 I9
- 2438 I6
- 2439 I9
- 2440 E10
- 2441 H10
- 2442 H8
- 2443 I8
- 2444 F6
- 2445 F6
- 3400 A5
- 3401 A5
- 3403 D5
- 3404 D5
- 3405 D6
- 3406 F4
- 3408 G5
- 3409 G5
- 3410 G6
- 3411 E9
- 3412 E10
- 3413 E9
- 3414 E9
- 3415 F9
- 3416 F10
- 3417 F10
- 3418 F11
- 3419 F11
- 3421 F7
- 3422 F8
- 3423 G7
- 3424 H5
- 3426 I7
- 3427 I7
- 3428 I8
- 3429 G9
- 3430 G10
- 3431 G9
- 3432 H9
- 3433 H9
- 3434 H10
- 3435 I10
- 3436 H11
- 3437 I11
- 3438 D5
- 3439 F5
- 3440 F7
- 3441 I6
- 7400-A A7
- 7400-B B2
- 7400-C B7
- 7401-A B8
- 7401-B C8
- 7402-A D10
- 7402-B B10
- 7403-A D5
- 7403-B E5
- 7404-A G7
- 7404-B H7
- 7405-A E11
- 7405-B G11
- 7420 A5
- I400 A10
- I401 A7
- I403 B8
- I404 B8
- I405 B11
- I407 C8
- I408 C9
- I409 D8
- I410 D11
- I411 E6
- I412 E10
- I413 E5
- I414 E12
- I416 F11
- I417 F6
- I418 G8
- I419 G7
- I420 G10
- 421 G12
- 423 H11
- 424 H8
- 425 E12
- 426 G12
- 427 A5
- 428 D6
- 429 D6
- 430 E9
- 431 E9
- 432 F10
- 433 F11
- 434 F11
- 435 F8
- 436 G6
- 437 G8
- 438 G6
- 439 G9
- 440 H9
- 441 H10
- 442 H11
- 443 I11
- 444 I7
- 445 I7

AV-Board: Audio



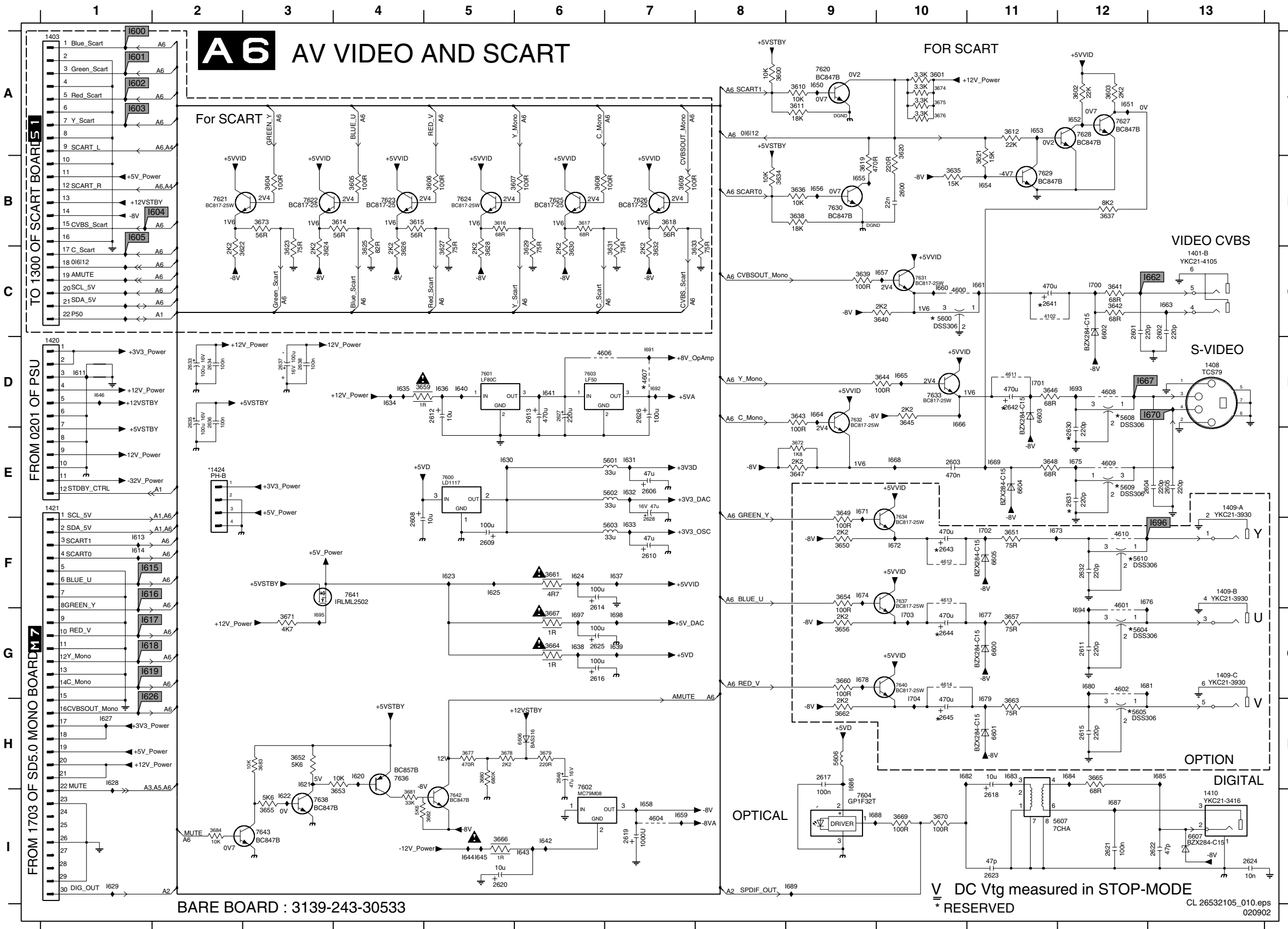
* RESERVED
 V DC Vtg measured in STOP-MODE

BARE BOARD : 3139-243-30533

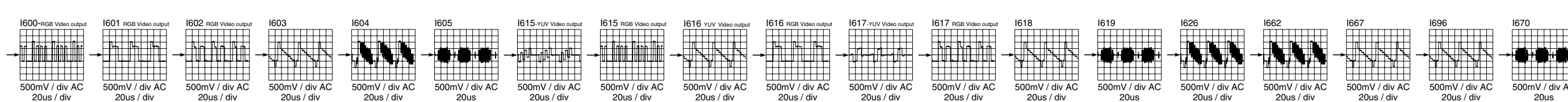
26532105_009.eps
 290802

1401-A A13	3581 A8
1402-A G13	3582 A9
1402-B E13	3583 B7
1402-C C13	3584 B8
2500 D5	3585 C7
2501 D4	3586 F7
2502 F5	3589 G7
2503 G5	3590 A10
2510 D2	3591 B7
2511 D2	3592 H7
2512 D4	4500 A7
2513 A4	4501 A8
2514 E3	4502 B7
2515 E2	4503 B7
2516 E2	6500 A7
2517 E4	6501 B7
2518 E2	7501-A E4
2519 F2	7501-B D4
2520 F4	7502-A F4
2521 F3	7502-B H4
2522 G2	7521 A12
2523 G2	7522 A8
2524 G4	7523 B11
2525 G4	7525 C12
2526 G3	7527 D11
2527 H2	7529 E12
2528 H2	7531 G11
2529 H2	7533 H12
2530 B13	7535 I11
2531 B12	7536 A9
2532 E5	7537 B8
2533 F5	7538 C7
2534 G5	7541 E8
2535 H4	7542 F8
2536 H5	7543 H8
2537 I4	I501 B1
2538 I3	I502 B1
2539 I2	I504 B3
2540 D12	I505 B3
2541 D13	I506 D4
2542 F13	I507 D5
2543 F12	I508 E4
2544 I12	I509 E4
2545 I13	I510 A11
2546 A8	I512 E5
2547 A8	I513 F4
3501 B1	I514 F4
3502 B1	I515 G5
3504 B3	I516 G4
3505 B2	I517 H4
3506 D2	I518 H5
3507 D2	I519 I4
3508 D2	I520 A11
3510 D3	I521 B11
3511 D3	I522 B11
3512 E2	I524 D11
3513 E2	I526 E10
3514 E3	I527 E11
3515 E4	I529 F10
3516 E3	I530 F11
3517 E2	I532 G10
3518 E2	I533 G11
3519 E3	I535 H10
3520 F2	I536 H11
3521 F3	I539 A8
3522 F2	I541 A9
3523 F2	I542 A8
3524 F3	I543 A8
3525 F3	I544 A7
3526 F4	I545 B8
3527 F2	I546 A8
3528 F2	I547 C8
3529 F3	I550 C8
3530 G2	I552 F8
3531 G3	I553 G8
3532 G2	I554 H11
3533 G2	I555 H11
3534 G3	I556 F11
3535 G3	I557 E11
3536 G4	I558 D11
3537 H2	I559 C11
3538 H2	I570 B11
3539 H3	I571 A11
3540 A11	
3541 A11	
3543 H2	
3544 H3	
3545 I2	
3546 I2	
3547 I3	
3548 I3	
3549 I4	
3550 B11	
3551 B11	
3552 B12	
3553 B12	
3555 C11	
3556 C11	
3558 D11	
3560 D11	
3561 D12	
3562 D12	
3563 E11	
3564 E11	
3566 F11	
3567 F11	
3568 F12	
3570 F12	
3571 G11	
3572 H11	
3574 H11	
3575 I11	
3576 I12	
3577 I12	
3579 A8	
3580 A8	

AV-Board: Video and SCART



ITEM NO	DESCRIPTION	DVD963SA ED	DVD963SA NOR-ED
1403	CON BM V 22P F 1.00 FFC 0.3 B	X	
1408	RST SM 0603 100R PM5 COL	X	
3605	RST SM 0603 100R PM5 COL	X	
3606	RST SM 0603 100R PM5 COL	X	
3607	RST SM 0603 100R PM5 COL	X	
3608	RST SM 0603 100R PM5 COL	X	
3609	RST SM 0603 100R PM5 COL	X	
3614	RST SM 0603 RC21 56R PM5 R	X	
3615	RST SM 0603 RC21 56R PM5 R	X	
3616	RST SM 0603 68R PM5 COL	X	
3617	RST SM 0603 68R PM5 COL	X	
3618	RST SM 0603 RC21 56R PM5 R	X	
3622	RST SM 0603 2K2 PM5 COL	X	
3623	RST SM 0603 75R PM5 COL	X	
3624	RST SM 0603 2K2 PM5 COL	X	
3625	RST SM 0603 75R PM5 COL	X	
3626	RST SM 0603 2K2 PM5 COL	X	
3627	RST SM 0603 75R PM5 COL	X	
3628	RST SM 0603 2K2 PM5 COL	X	
3629	RST SM 0603 75R PM5 COL	X	
3630	RST SM 0603 2K2 PM5 COL	X	
3631	RST SM 0603 75R PM5 COL	X	
3632	RST SM 0603 2K2 PM5 COL	X	
3633	RST SM 0603 75R PM5 COL	X	
3673	RST SM 0603 RC21 56R PM5 R	X	
7621	TRA SIG SM BC817-25 (COL) R	X	
7622	TRA SIG SM BC817-25 (COL) R	X	
7623	TRA SIG SM BC817-25 (COL) R	X	
7624	TRA SIG SM BC817-25 (COL) R	X	
7625	TRA SIG SM BC817-25 (COL) R	X	
7626	TRA SIG SM BC817-25 (COL) R	X	



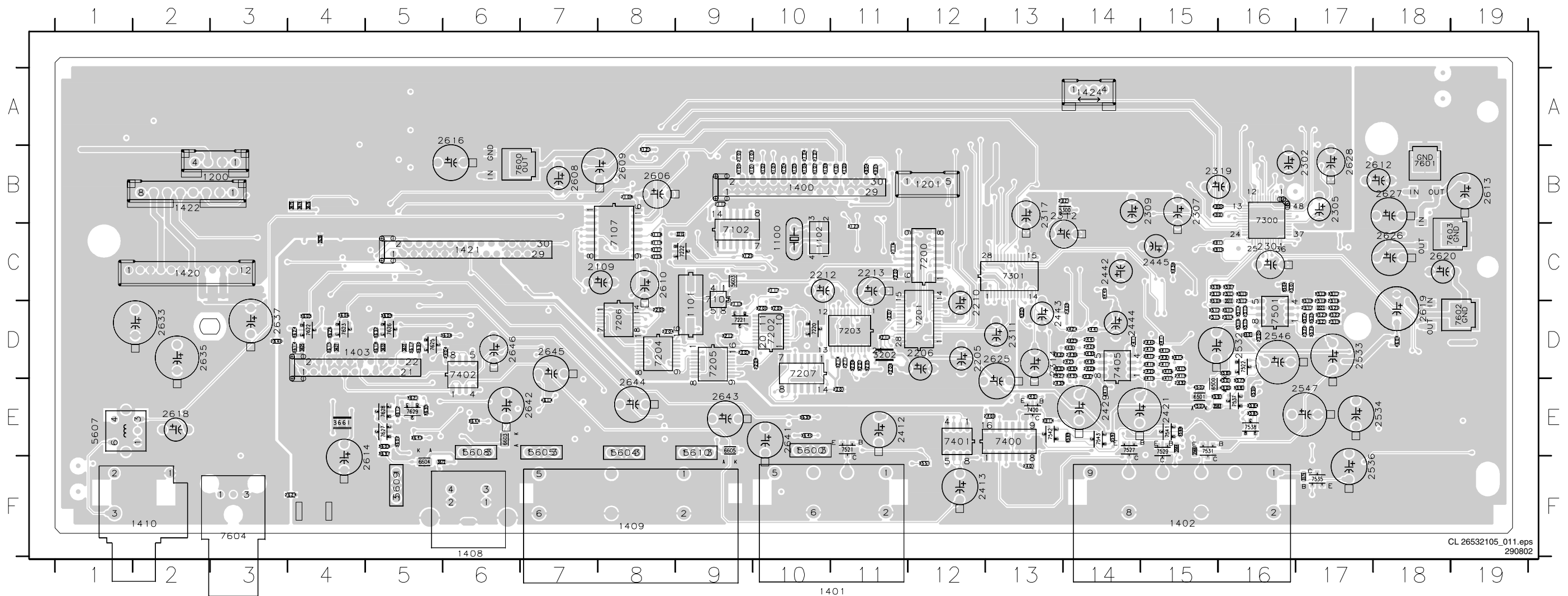
BARE BOARD : 3139-243-30533

V DC Vtg measured in STOP-MODE
* RESERVED

CL 26532105_010.eps
020902

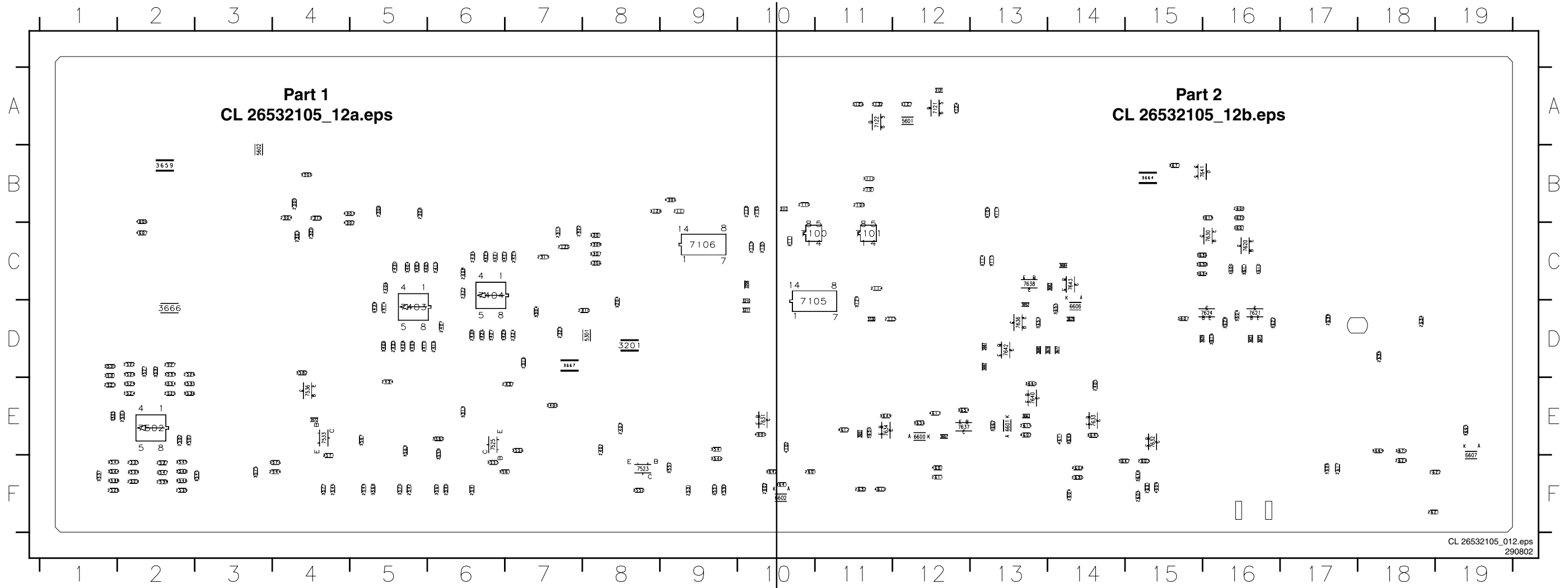
Layout AV-Board (Top Side)

1100	C10	2103	B9	2207	D11	2319	B16	2426	D14	2510	C15	2546	D16	2627	B18	3103	B10	3205	D11	3415	D15	3440	C14	3519	D17	3584	E16	3617	D5	3644	E6	4604	D18	7102	C9	7400	E13	7543	E14
1101	D9	2104	B10	2208	D11	2321	B14	2427	D13	2511	C16	2547	E17	2628	B17	3104	B10	3207	D11	3416	D15	3441	D14	3520	D17	3585	E16	3618	D5	3661	E4	4614	E7	7103	C9	7401	E12	7600	B6
1102	C10	2107	B10	2209	D10	2400	E13	2428	D14	2512	D16	2606	B8	2633	D2	3105	B10	3208	D11	3417	E15	3501	D16	3521	D17	3588	E15	3621	E5	3672	F5	5300	B14	7107	C8	7402	D6	7601	B18
1200	B3	2108	B8	2210	D12	2401	F13	2429	E14	2513	D16	2608	B7	2635	D2	3106	B10	3212	D9	3418	D15	3504	C16	3522	D17	3589	E14	3624	D4	3674	B4	5600	E10	7200	C12	7405	D14	7602	D19
1201	B12	2109	C8	2211	D11	2404	D6	2431	D15	2514	D16	2609	B8	2637	D3	3107	B10	3213	D11	3419	E15	3506	C15	3523	D17	3590	E16	3625	D4	3675	B4	5603	C9	7201	D12	7420	E13	7603	C18
1400	B10	2112	B9	2212	C10	2409	D14	2432	E15	2515	D15	2610	C8	2639	C4	3108	B10	3214	D11	3424	D14	3507	C16	3524	D17	3591	E15	3626	D4	3676	B4	5604	E8	7202	D10	7501	D16	7604	F3
1402	F15	2113	D9	2213	C11	2410	E14	2436	D14	2516	D17	2612	B18	2640	D3	3116	C8	3215	C9	3429	D14	3508	D15	3525	D17	3592	E14	3627	D4	4100	B11	5605	E7	7203	D11	7521	E11	7622	D4
1403	D4	2116	C11	2301	C16	2411	D14	2439	E13	2517	D17	2613	B19	2641	E10	3117	C8	3305	D13	3430	D14	3510	C16	3526	D17	3602	E5	3630	D5	4101	B11	5607	E1	7204	D8	7522	D16	7623	D4
1408	F6	2117	C10	2302	B17	2412	E11	2440	D15	2518	D17	2614	F5	2642	E7	3118	C8	3310	C16	3431	D14	3511	D16	3551	F12	3603	E5	3631	D5	4300	B16	5608	E6	7205	D9	7527	E14	7625	D5
1409	F8	2200	D8	2305	B17	2413	F12	2441	D14	2519	D17	2616	A6	2643	E9	3119	C8	3311	C16	3432	D13	3512	D15	3564	E15	3605	D4	3632	D5	4301	B16	5609	F5	7206	D8	7529	E15	7626	D5
1410	F2	2201	E11	2307	B15	2417	D15	2442	C14	2520	D17	2618	E2	2644	E8	3120	C9	3314	E13	3433	D13	3513	D16	3566	E15	3606	D4	3633	D5	4304	B11	5610	E9	7207	D10	7531	E15	7627	E5
1420	C2	2202	C11	2309	B15	2418	D15	2443	D13	2521	D17	2619	D18	2645	D7	3123	C11	3401	E13	3434	D14	3514	D16	3574	F17	3608	D6	3635	E5	4305	B11	6500	E15	7220	D10	7535	F17	7628	E5
1421	C6	2203	D9	2311	D13	2419	D15	2444	D14	2532	D16	2620	C18	2646	D6	3125	B8	3411	D15	3435	D14	3515	D16	3579	E16	3609	D5	3637	E5	4500	E16	6501	E15	7221	D9	7537	E16	7629	E5
1422	B2	2204	D8	2312	B14	2420	D15	2445	C15	2533	D17	2624	F4	3100	B9	3200	D10	3412	D15	3436	D14	3516	D16	3580	D16	3612	E5	3639	E10	4501	E16	6603	E6	7222	C9	7538	E16		
1424	A14	2205	D12	2314	D13	2421	E15	2500	D16	2534	E18	2625	D13	3101	B9	3202	D11	3413	D15	3437	D14	3517	C17	3581	E16	3614	D4	3640	E10	4502	E15	6604	F5	7300	B16	7541	E15		
2102	B9	2206	D12	2317	B13	2425	D14	2501	C16	2536	F17	2626	C18	3102	B10	3203	D10	3414	D15	3438	C15	3518	C17	3583	E15	3615	D4	3643	E5	4503	E15	6605	E9	7301	C13	7542	E13		

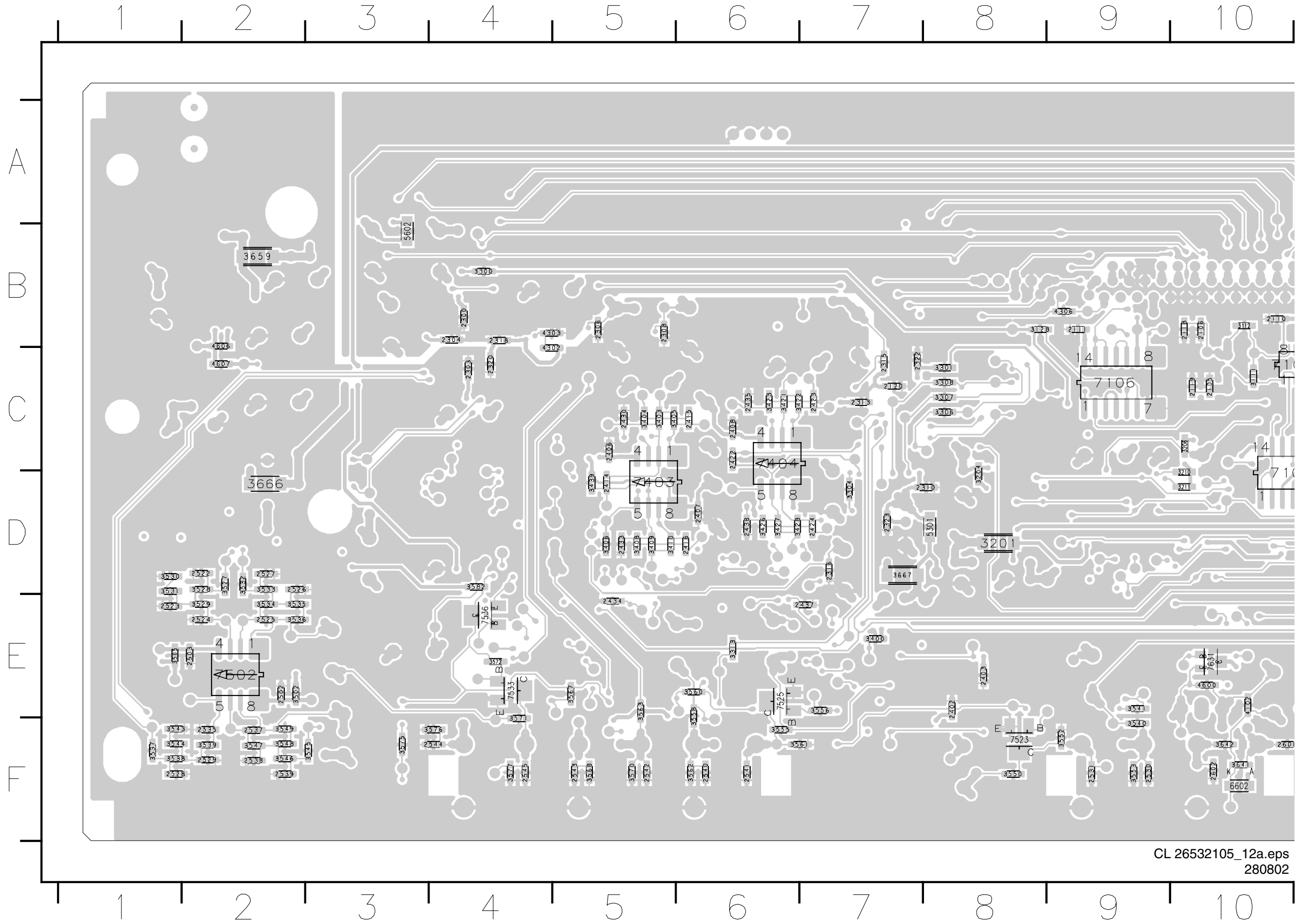


Layout AV-Board (Overview Bottom Side)

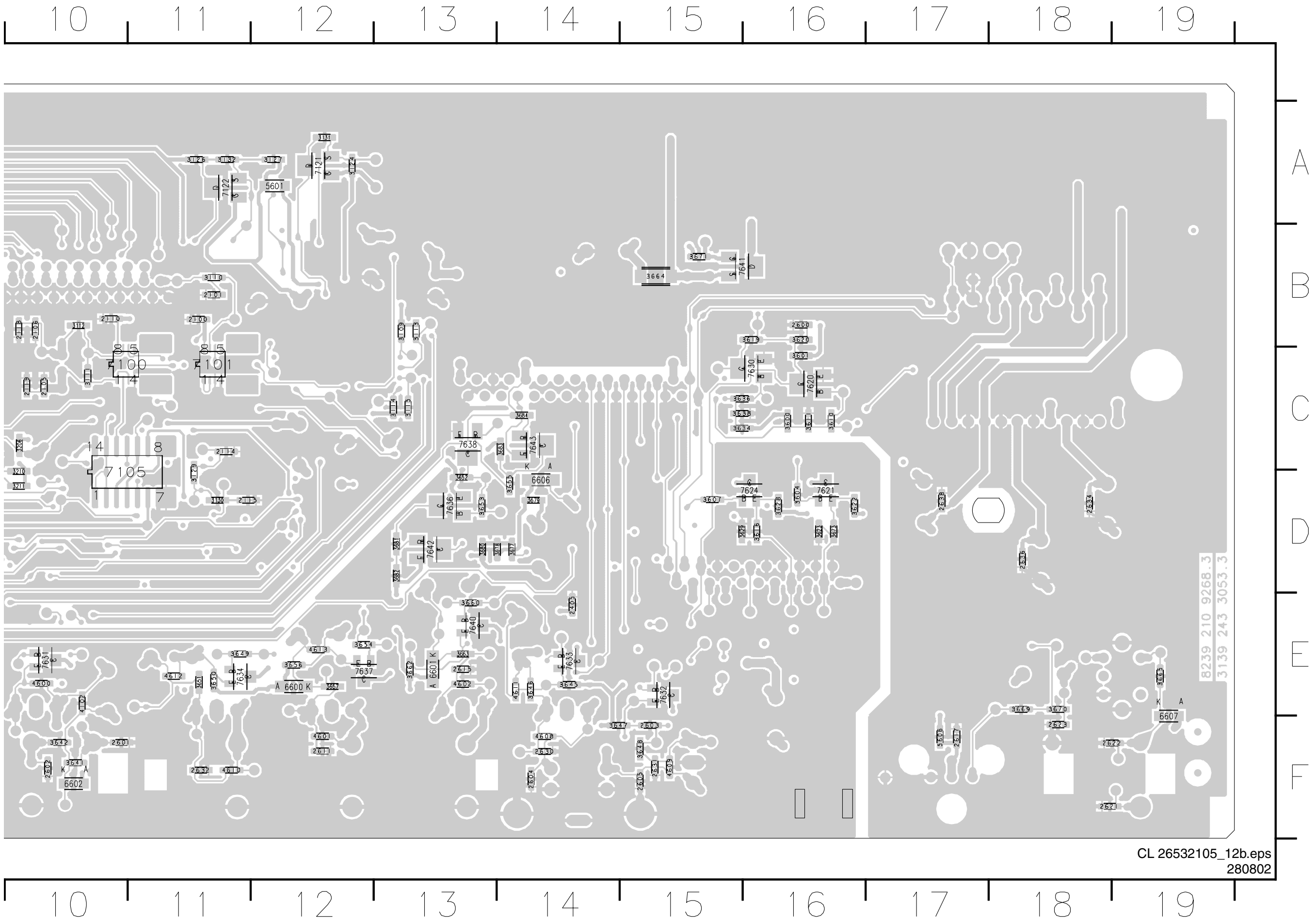
2100 B11	2306 B5	2407 D6	2502 E2	2538 F2	2611 F12	3111 C10	3204 D8	3405 C5	3527 D2	3541 E9	3560 E6	3601 C16	3638 C15	3656 E12	3677 D14	4602 E13	6601 E13	7525 E6	7640 E13
2101 B11	2308 B5	2408 C6	2503 E2	2539 F2	2615 E13	3112 B10	3206 C10	3406 D5	3528 D2	3543 F1	3561 F7	3604 D16	3641 F10	3657 E12	3678 D14	4606 B2	6602 F10	7533 E4	7641 B15
2105 C10	2310 D8	2414 D5	2522 D2	2540 F6	2617 F17	3113 B13	3210 D10	3408 D5	3529 E2	3544 F1	3562 F6	3607 D15	3642 F10	3659 B2	3679 D14	4607 C2	6606 D14	7536 E4	7642 D13
2106 B10	2313 C7	2415 C6	2523 E1	2541 F6	2621 F18	3114 C13	3211 D10	3409 D5	3530 D1	3545 F3	3563 E5	3610 C16	3645 E14	3660 E13	3680 D13	4608 F14	6607 F19	7620 C16	7643 C14
2110 B10	2315 C7	2416 D6	2524 E2	2542 F5	2622 F19	3115 C13	3300 B4	3410 D5	3531 D1	3546 F2	3567 E5	3611 C16	3646 E14	3662 E13	3681 D13	4609 F15	7100 C10	7621 D16	
2111 B9	2316 D7	2422 C6	2525 E2	2543 F5	2623 F18	3124 A12	3301 C8	3421 C6	3532 D2	3547 F2	3568 F5	3616 D16	3647 F14	3663 E13	3682 D13	4610 F11	7101 C11	7624 D16	
2114 C11	2318 B4	2423 C7	2526 D2	2544 F4	2630 F14	3126 A11	3304 D7	3422 C6	3533 D2	3548 F2	3570 F5	3619 B16	3648 F15	3664 B15	3683 C14	4611 E14	7105 D10	7630 C16	
2115 D11	2320 C4	2424 D7	2527 D2	2545 F4	2631 F15	3127 A12	3306 C8	3423 C6	3534 E2	3549 F2	3571 F4	3620 B16	3649 E11	3665 E19	3684 C14	4612 E11	7106 C9	7631 E10	
2118 B10	2322 C7	2430 C5	2528 F1	2600 B16	2632 F11	3128 B8	3307 C8	3426 D6	3535 E2	3550 F8	3572 E4	3622 D16	3650 E11	3666 D2	4102 E10	4613 E12	7121 A12	7632 E15	
2119 C10	2323 D7	2433 D5	2529 F2	2601 F10	2634 D18	3129 D11	3308 C8	3427 D6	3536 E2	3552 F9	3575 F3	3623 D16	3651 E11	3667 D7	4302 C4	5301 D8	7122 A11	7633 E14	
2120 C7	2402 E8	2434 E5	2530 F9	2602 F10	2636 D18	3130 D11	3313 E6	3428 D6	3537 F1	3553 F9	3576 F4	3628 D16	3652 D13	3669 E18	4303 B4	5601 A12	7403 D5	7634 E11	
2300 B4	2403 E8	2435 C6	2531 F9	2603 F15	2638 D17	3131 A12	3400 E7	3439 D5	3538 F1	3555 F6	3577 F4	3629 D15	3653 D13	3670 E18	4306 B9	5602 B3	7404 C6	7636 D13	
2303 C4	2405 E14	2437 E7	2535 F2	2604 F14	3109 B13	3132 A11	3403 C5	3502 E2	3539 F2	3556 E7	3582 D4	3634 C15	3654 E12	3671 B15	4600 E10	5606 F17	7502 E2	7637 E12	
2304 B4	2406 C5	2438 D6	2537 F2	2605 F15	3110 B11	3201 D8	3404 C5	3505 E1	3540 F9	3558 E6	3600 C16	3636 C15	3655 D14	3673 D16	4601 F12	6600 E12	7523 F8	7638 C13	



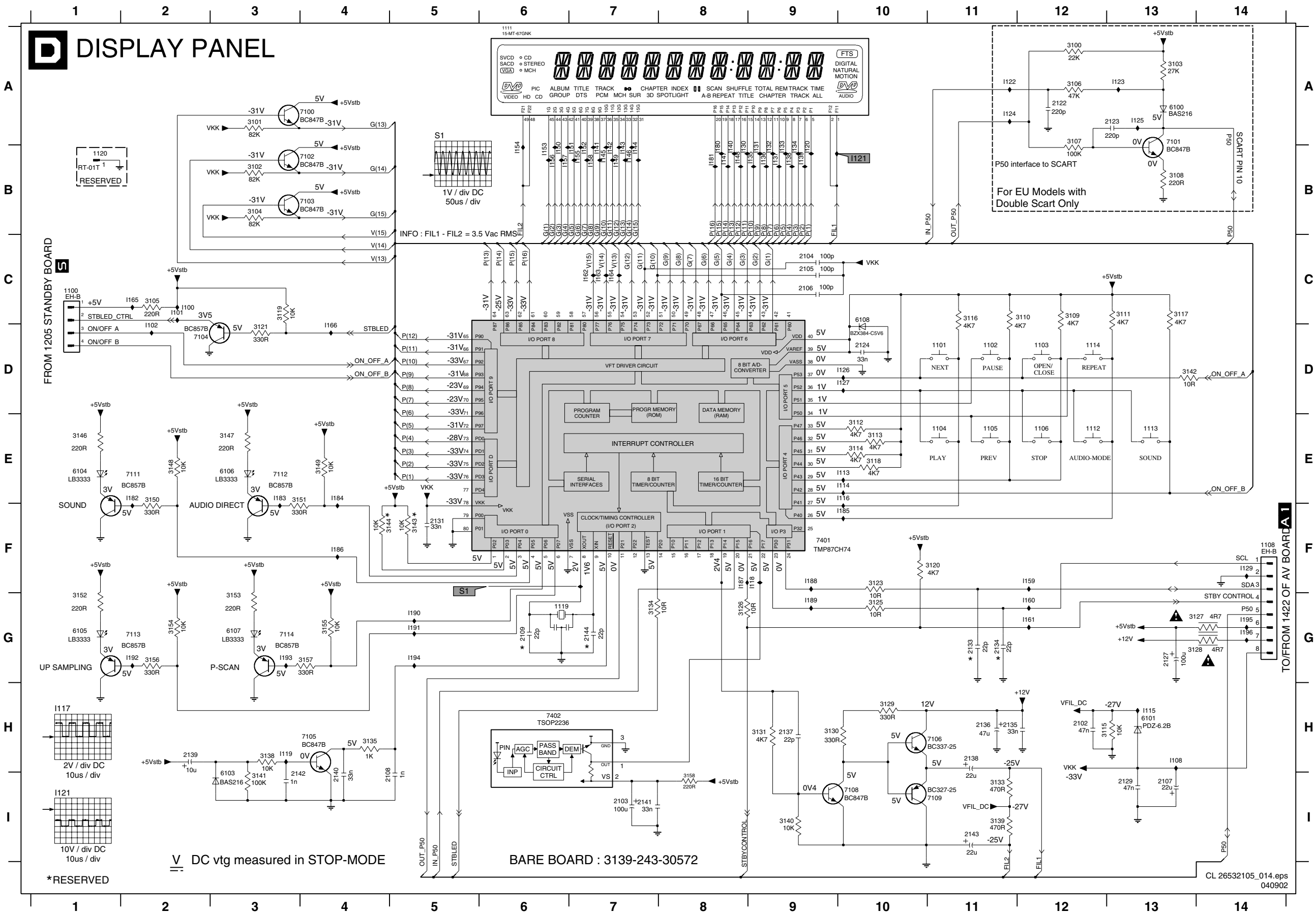
Layout AV-Board (Part 1 Bottom Side)



Layout AV-Board (Part 2 Bottom Side)



Display Panel



- 1100 C1
- 1101 D11
- 1102 D11
- 1103 D12
- 1104 E11
- 1105 E11
- 1106 E12
- 1108 F14
- 1111 A6
- 1112 E12
- 1113 E13
- 1114 D12
- 1119 G6
- 1120 B1
- 1120 B10
- 1122 H12
- 1123 A13
- 1124 C9
- 1125 C9
- 1126 C9
- 1127 I13
- 1128 I5
- 1129 G6
- 1129 B8
- 1130 G6
- 1131 B9
- 1132 A13
- 1133 D10
- 1134 G3
- 1135 I3
- 1136 F5
- 1137 G11
- 1138 G11
- 1139 H11
- 1140 H11
- 1141 B7
- 1142 B7
- 1143 H2
- 1144 I4
- 1145 I7
- 1146 H3
- 1147 I11
- 1148 G7
- 1149 B7
- 1150 B6
- 1151 B7
- 1152 B7
- 1153 B6
- 1154 B6
- 1155 B7
- 1156 A12
- 1157 A12
- 1158 B7
- 1159 F12
- 1160 G12
- 1161 G12
- 1162 C7
- 1163 C7
- 1164 C7
- 1165 C2
- 1166 D4
- 1167 A10
- 1168 E3
- 1169 C3
- 1170 A4
- 1171 A13
- 1172 B4
- 1173 G2
- 1174 G3
- 1175 F7
- 1176 D3
- 1177 D3
- 1178 E2
- 1179 G10
- 1180 G8
- 1181 F10
- 1182 G4
- 1183 F4
- 1184 F8
- 1185 H9
- 1186 F9
- 1187 H9
- 1188 G5
- 1189 G5
- 1190 G5
- 1191 G5
- 1192 G2
- 1193 H3
- 1194 G5
- 1195 G4
- 1196 G4
- 1197 G4
- 1198 E1
- 1199 E3
- 1200 C9
- 1201 A4
- 1202 A13
- 1203 B4
- 1204 D2
- 1205 H4
- 1206 H11
- 1207 H10
- 1208 C10
- 1209 A4
- 1210 A13
- 1211 E2
- 1212 E3
- 1213 G2
- 1214 G3
- 1215 F9

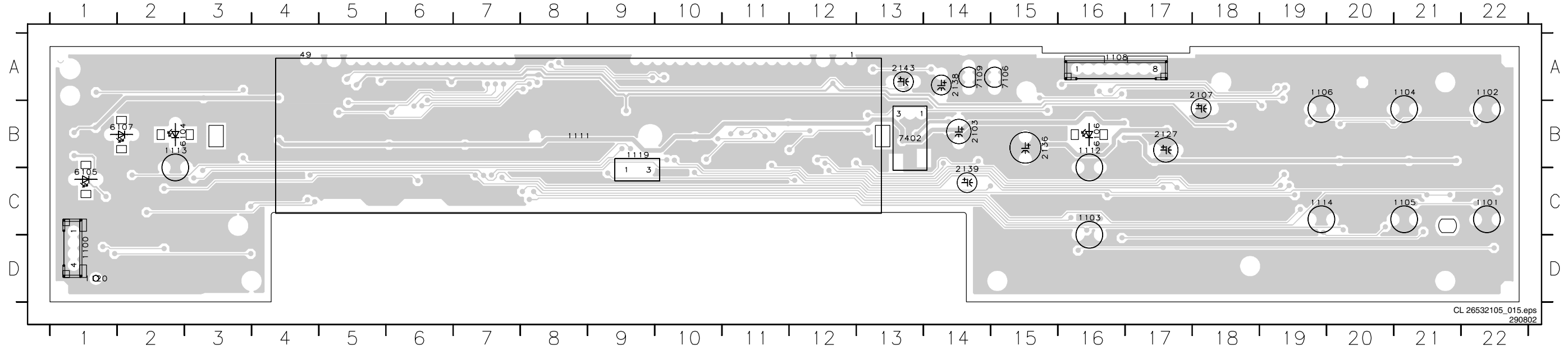
V DC vtg measured in STOP-MODE

BARE BOARD : 3139-243-30572

*RESERVED

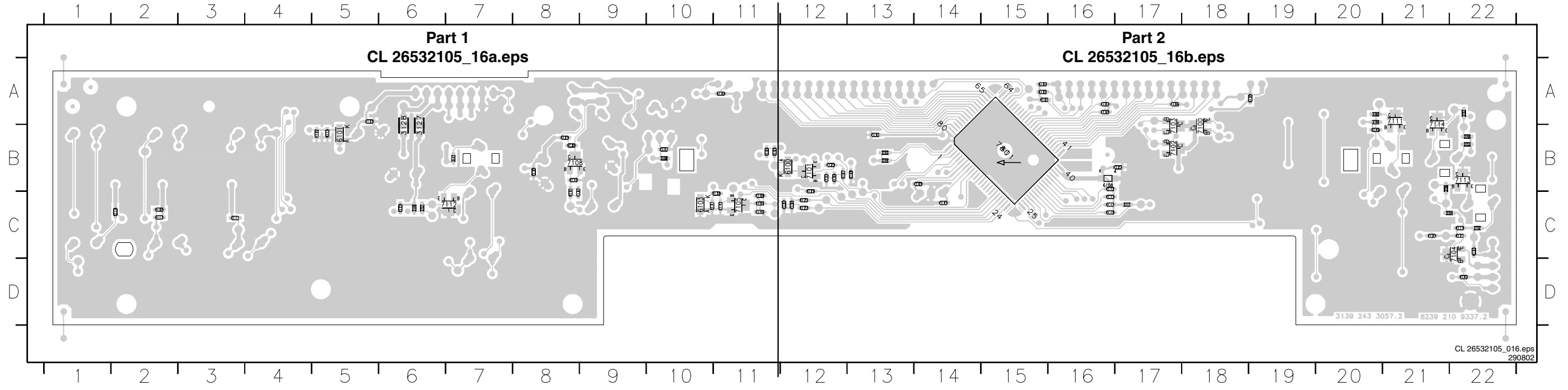
Layout Display Panel (Top Side)

1100 D1	1102 A22	1104 A21	1106 A19	1111 B8	1113 B2	1119 B9	2103 B14	2127 B17	2138 A14	2143 A13	6105 C1	6107 B2	7109 A14
1101 C22	1103 C16	1105 C21	1108 A16	1112 B16	1114 C19	1120 D1	2107 A18	2136 B15	2139 C14	6104 B2	6106 B16	7106 A15	7402 B13

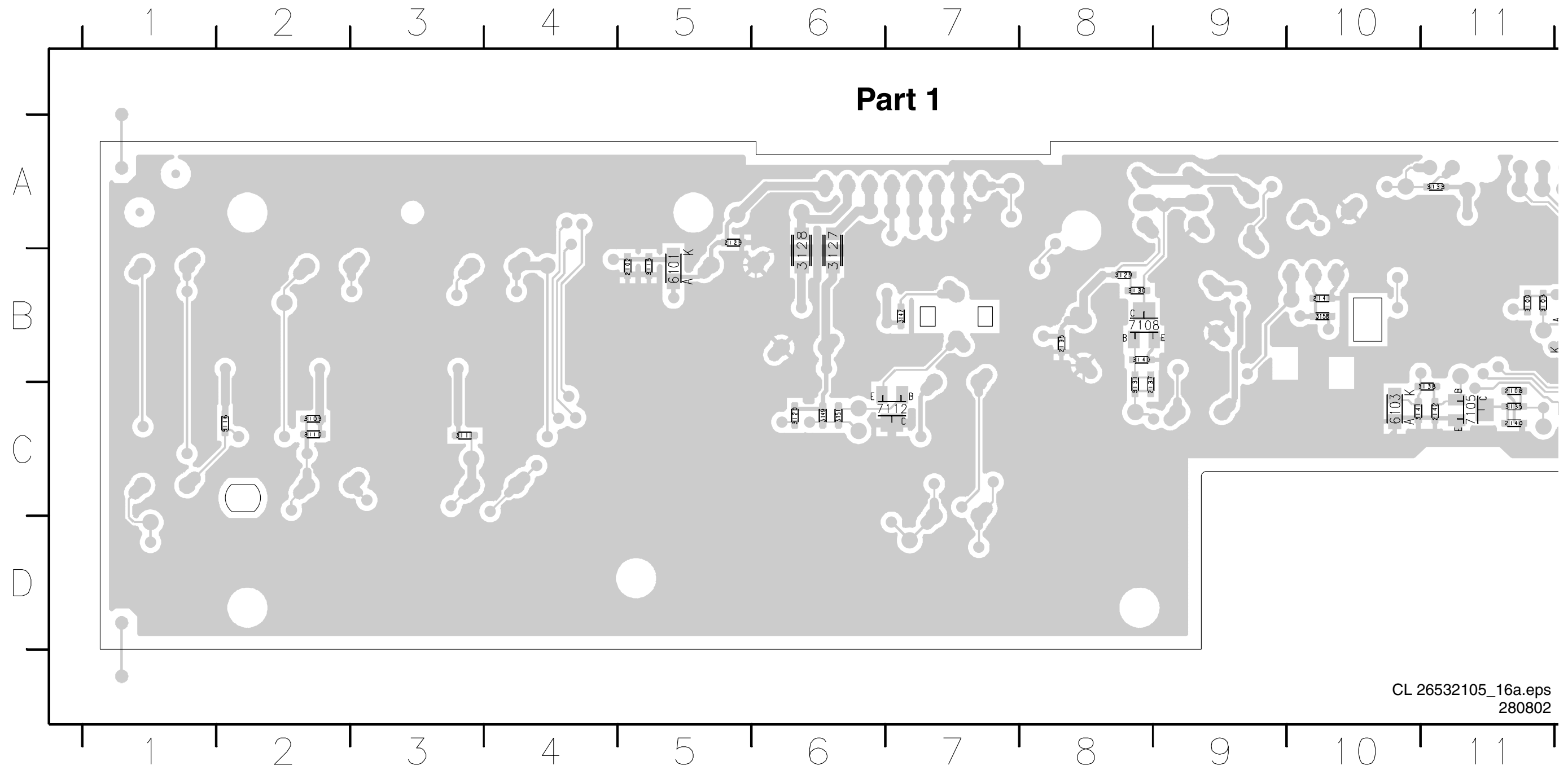


Layout Display Panel (Overview Bottom Side)

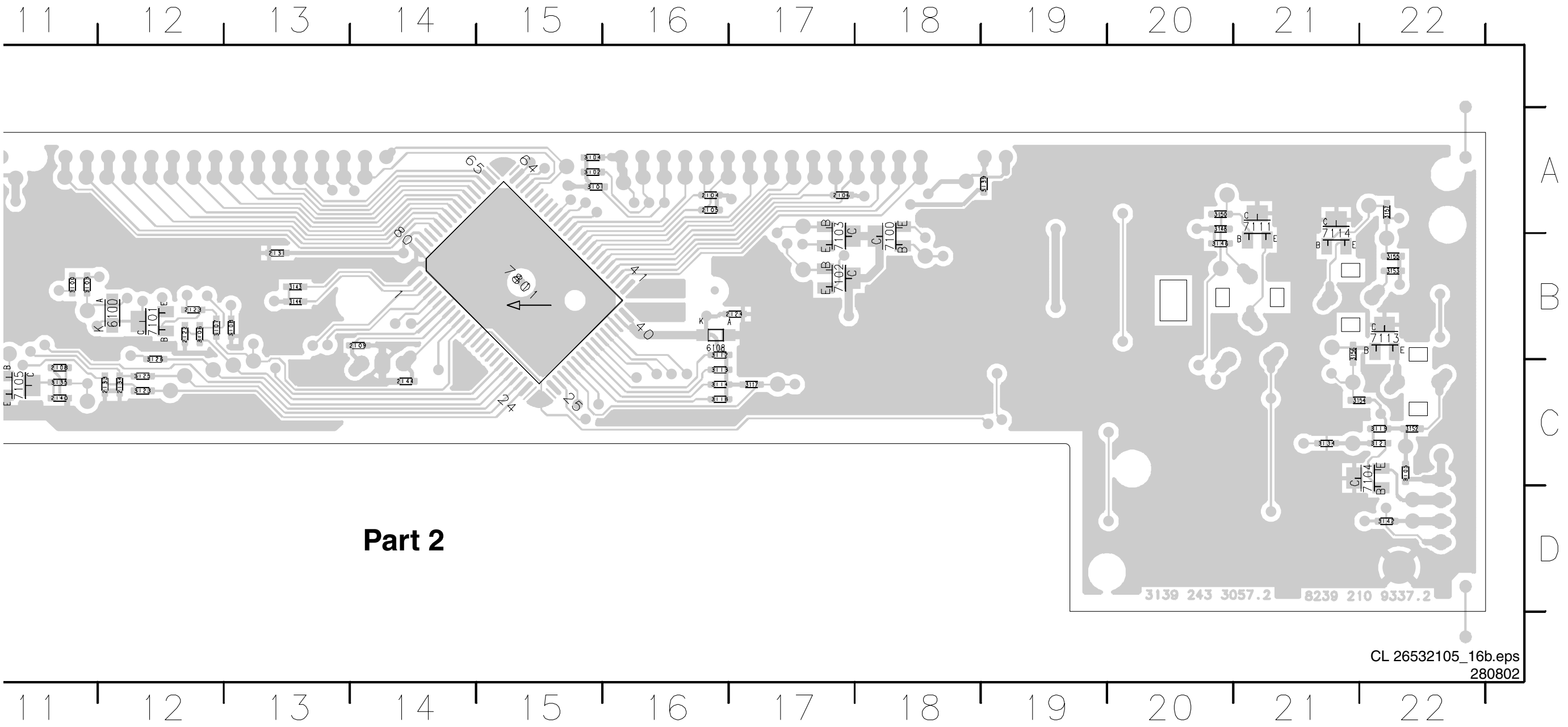
2102 B5	2109 B14	2131 B13	2140 C11	3101 A15	3106 B12	3111 C3	3116 C2	3121 C22	3128 B6	3134 C21	3141 C10	3147 B7	3152 C22	3157 A22	6108 B16	7104 C22	7113 B22
2104 A16	2122 B12	2133 C12	2141 B10	3102 A15	3107 B12	3112 B16	3117 C17	3123 C12	3129 B8	3135 C11	3142 D22	3148 A20	3153 B22	3158 B10	7100 B18	7105 C11	7114 A21
2105 A16	2123 B12	2134 C12	2142 C11	3103 B11	3108 B13	3113 C16	3118 C16	3125 C12	3130 B8	3138 C11	3143 B13	3149 C6	3154 C21	6100 B12	7101 B12	7108 B8	7401 B15
2106 A17	2124 B17	2135 B8	2144 C14	3104 A15	3109 C2	3114 C16	3119 C22	3126 B12	3131 C8	3139 A19	3144 B13	3150 A20	3155 B22	6101 B5	7102 B17	7111 A21	
2108 C11	2129 A5	2137 C8	3100 B11	3105 C22	3110 C2	3115 B5	3120 C6	3127 B6	3133 A11	3140 B8	3146 B20	3151 C6	3156 B21	6103 C10	7103 B17	7112 C7	



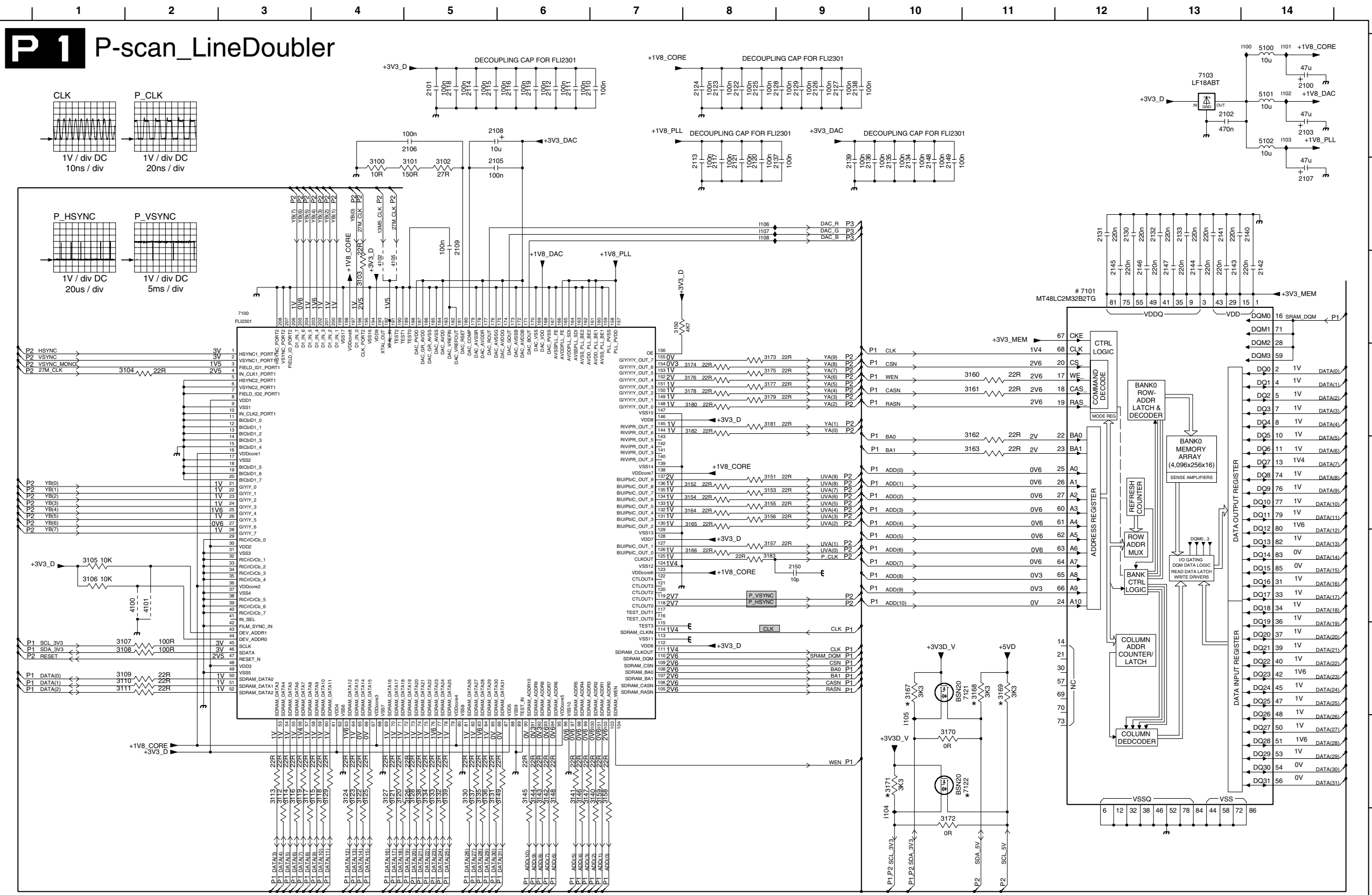
Layout Display Panel (Part 1 Bottom Side)



Layout Display Panel (Part 2 Bottom Side)



P-Scan Board: Line Doubler

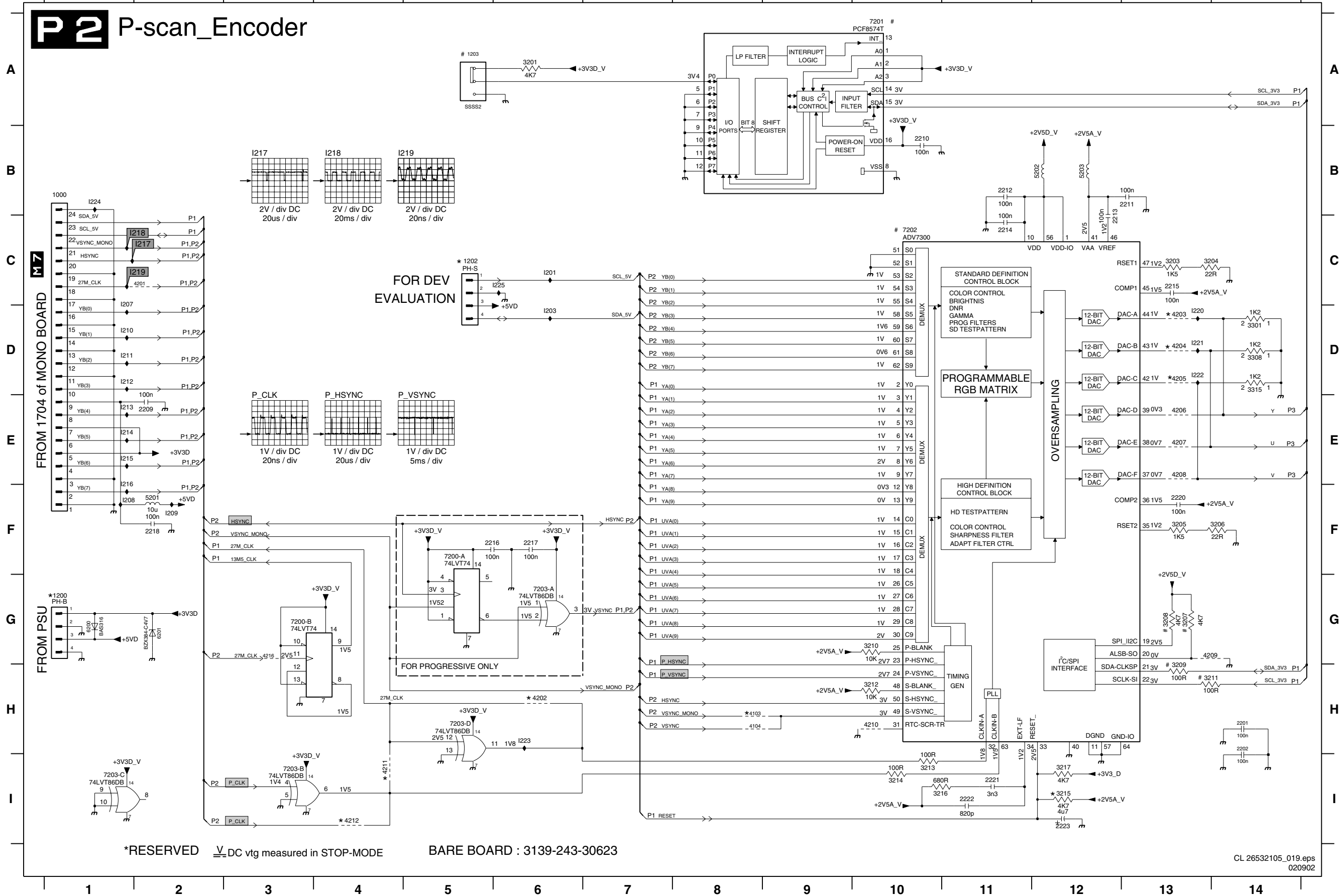


- 2100 A14
- 2101 A5
- 2102 A13
- 2103 A14
- 2105 B5
- 2106 A5
- 2107 B14
- 2108 A5
- 2109 B5
- 2110 A7
- 2111 A6
- 2112 A6
- 2113 B8
- 2114 A5
- 2115 A5
- 2116 A6
- 2117 B8
- 2118 A5
- 2119 A6
- 2120 B8
- 2121 B8
- 2122 A8
- 2123 A8
- 2124 A8
- 2125 A8
- 2126 A9
- 2127 A9
- 2128 A9
- 2129 A9
- 2130 B12
- 2131 B12
- 2132 B13
- 2133 B13
- 2134 B10
- 2135 B10
- 2136 B10
- 2137 B9
- 2138 A9
- 2139 B9
- 2140 B14
- 2141 B13
- 2142 C14
- 2143 C13
- 2144 C13
- 2145 C12
- 2146 C12
- 2147 C13
- 2148 B10
- 2149 B10
- 2150 F9
- 3100 B4
- 3101 B5
- 3102 B5
- 3103 C2
- 3104 D2
- 3105 F1
- 3106 F1
- 3107 G1
- 3108 G1
- 3109 G1
- 3110 G1
- 3111 G1
- 3112 B3
- 3113 B3
- 3114 B3
- 3115 B3
- 3116 B3
- 3117 B3
- 3118 B3
- 3119 B3
- 3120 B3
- 3121 B3
- 3122 B3
- 3123 B3
- 3124 B3
- 3125 B3
- 3126 B3
- 3127 B3
- 3128 B3
- 3129 B3
- 3130 B3
- 3131 B3
- 3132 B3
- 3133 B3
- 3134 B3
- 3135 B3
- 3136 B3
- 3137 B3
- 3138 B3
- 3139 B3
- 3140 B3
- 3141 B3
- 3142 B3
- 3143 B3
- 3144 B3
- 3145 B3
- 3146 B3
- 3147 B3
- 3148 B3
- 3149 B3
- 3150 C7
- 3151 E8
- 3152 E8
- 3153 E8
- 3154 E8
- 3155 E8
- 3156 E8
- 3157 F8
- 3158 F8
- 3159 F8
- 3160 D11
- 3161 D11
- 3162 E11
- 3163 E11
- 3164 E8
- 3165 F8
- 3166 F8
- 3167 G10

* RESERVED
 V DC vtg measured in STOP-MODE
 BARE BOARD : 3139-243-30623

P-Scan Board: Encoder

P2 P-scan_Encoder

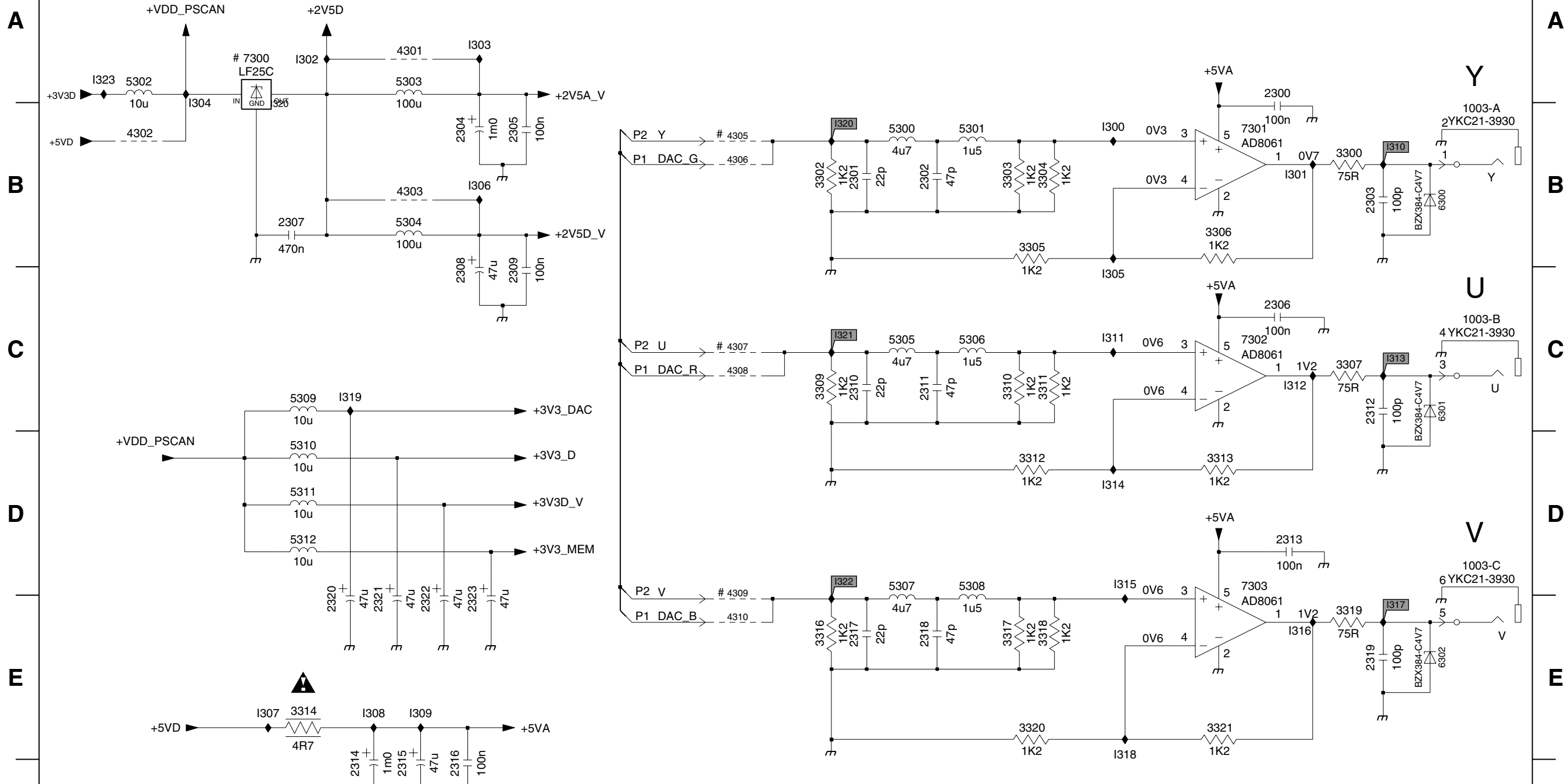


- 1000 B1
- 1200 G1
- 1202 C5
- 1203 A5
- 2200 H14
- 2201 H14
- 2202 I14
- 2209 E1
- 2210 B10
- 2211 B13
- 2212 B11
- 2213 C12
- 2214 C11
- 2215 C13
- 2216 F5
- 2217 G6
- 2218 F1
- 2220 F13
- 2221 I11
- 2222 I11
- 2223 I12
- 3201 A6
- 3203 C13
- 3204 C14
- 3205 F13
- 3206 F14
- 3207 G13
- 3208 G13
- 3209 H13
- 3210 G10
- 3211 H14
- 3212 H10
- 3213 I10
- 3214 I10
- 3215 I12
- 3216 I11
- 3217 I12
- 3301 D14
- 3308 D14
- 3315 E14
- 4103 H9
- 4104 H9
- 4201 C2
- 4202 H6
- 4203 D13
- 4204 D13
- 4205 D13
- 4206 E13
- 4207 E13
- 4208 F13
- 4209 H14
- 4210 H10
- 4211 I4
- 4212 I4
- 4213 H13
- 4214 H13
- 4215 H13
- 4216 H3
- 5201 F1
- 5202 B12
- 5203 B12
- 6200 G1
- 6201 G2
- 7200-A F5
- 7200-B G3
- 7201 A10
- 7202 C10
- 7203-A G6
- 7203-B I3
- 7203-C I1
- 7203-D H5
- I201 C6
- I202 D2
- I203 D6
- I207 D2
- I208 F1
- I209 F1
- I210 D2
- I211 D2
- I212 D2
- I213 E2
- I214 E2
- I215 E2
- I216 F2
- I217 C1
- I218 C1
- I219 C1
- I220 D13
- I221 D13
- I222 D13
- I223 H6
- I224 B1
- I225 C6

*RESERVED V DC vtg measured in STOP-MODE BARE BOARD : 3139-243-30623

P-Scan Board: Video Output

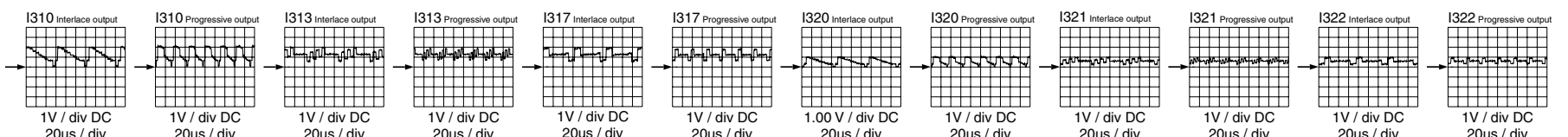
P3 Video Output



*RESERVED

V DC vtg measured in STOP-MODE

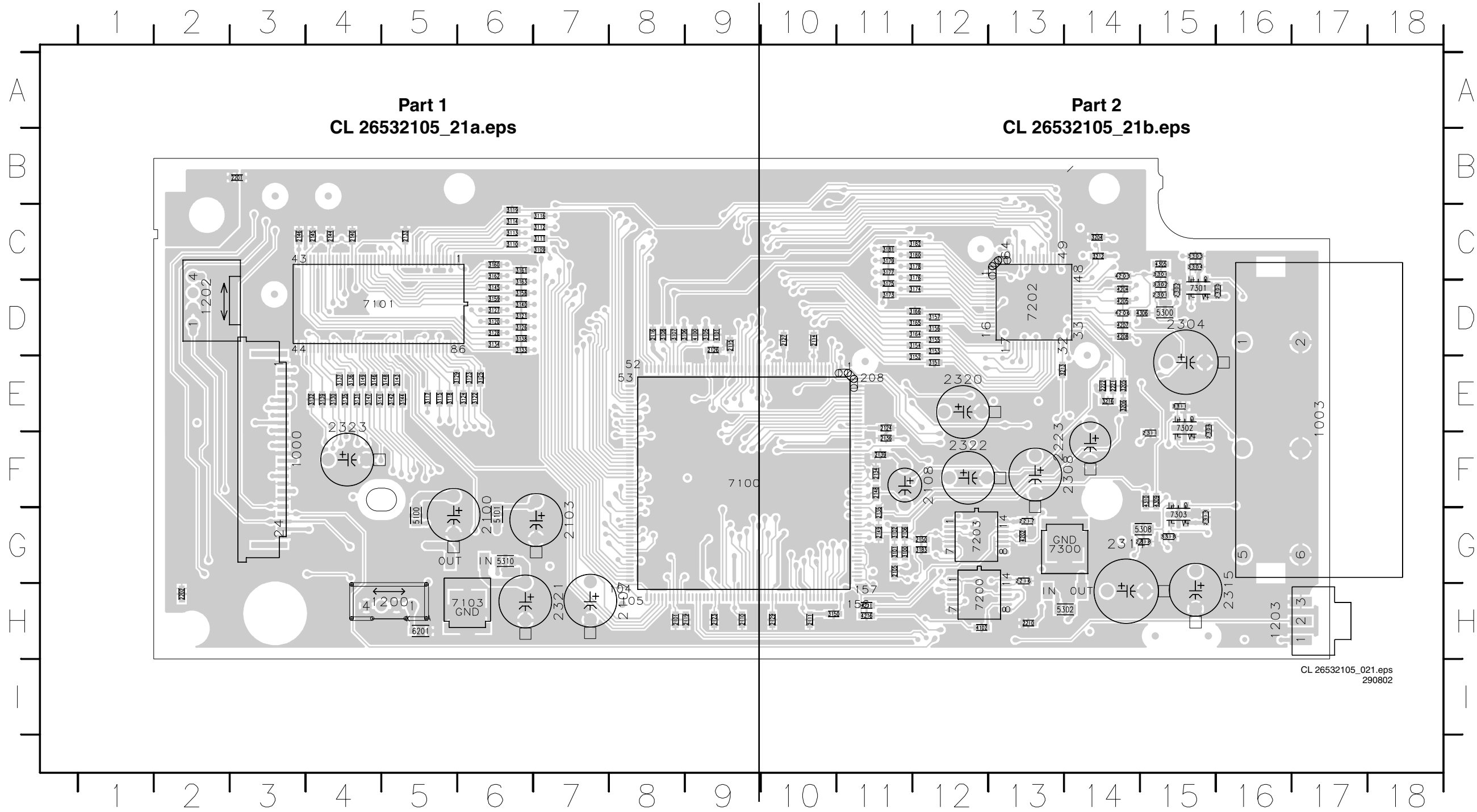
BARE BOARD : 3139-243-30623



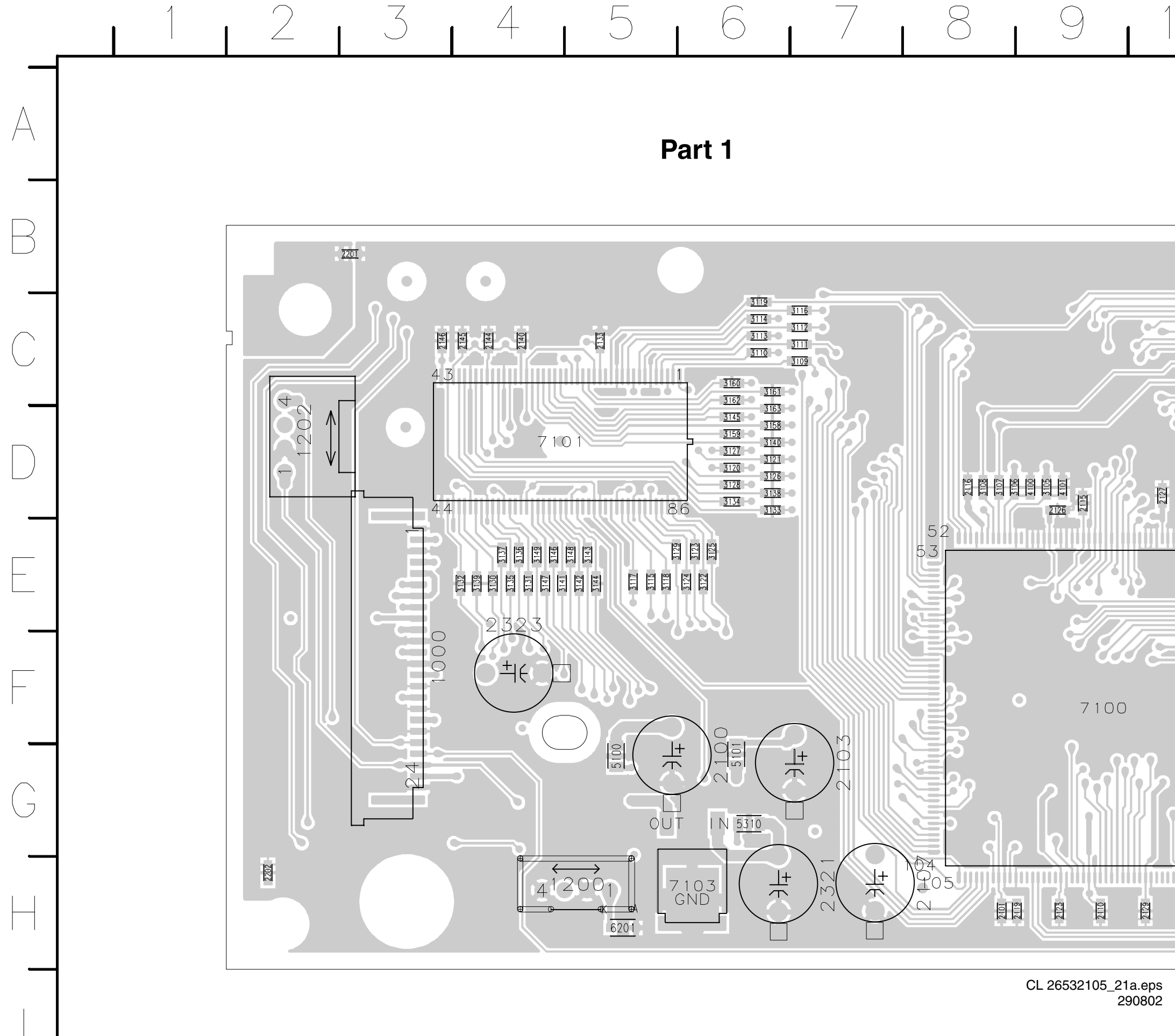
- 1003-A B8
- 1003-B C9
- 1003-C D9
- 2300 A8
- 2301 B5
- 2302 B6
- 2303 B9
- 2304 B3
- 2305 B3
- 2306 C8
- 2307 B2
- 2308 C3
- 2309 C3
- 2310 C5
- 2311 C6
- 2312 C9
- 2313 D8
- 2314 F2
- 2315 F3
- 2316 F3
- 2317 E5
- 2318 E6
- 2319 E9
- 2320 E2
- 2321 E3
- 2322 E3
- 2323 E3
- 3300 B8
- 3302 B5
- 3303 B5
- 3304 B7
- 3305 B6
- 3306 B8
- 3307 C8
- 3309 C5
- 3310 C6
- 3311 C7
- 3312 D6
- 3313 D8
- 3314 E2
- 3316 E5
- 3317 E6
- 3318 E7
- 3319 E8
- 3320 E6
- 3321 E8
- 4301 A3
- 4302 B1
- 4303 B3
- 4305 B5
- 4306 B5
- 4307 C5
- 4308 C5
- 4309 E5
- 4310 E5
- 5300 B6
- 5301 B6
- 5302 A1
- 5303 A3
- 5304 B3
- 5305 C6
- 5306 C6
- 5307 D6
- 5308 D6
- 5309 C2
- 5310 D2
- 5311 D2
- 5312 D2
- 6300 B9
- 6301 C9
- 6302 E9
- 7300 A2
- 7301 B8
- 7302 C8
- 7303 D8
- 1300 B7
- 1301 B8
- 1302 A2
- 1303 A3
- 1304 A1
- 1305 C7
- 1306 B3
- 1307 E2
- 1308 E2
- 1309 E3
- 1310 B9
- 1311 C7
- 1312 C8
- 1313 C9
- 1314 D7
- 1315 D7
- 1316 E8
- 1317 E9
- 1318 E7
- 1319 C2
- 1320 B5
- 1321 C5
- 1322 D5
- 1323 A1

Layout P-Scan Board (Overview Top Side)

1000 F3	2106 G11	2123 H9	2139 F11	2202 H2	2302 D15	2320 E12	3107 D8	3116 C7	3125 E6	3134 D6	3143 E5	3152 E12	3161 C6	3176 C12	3205 E14	3311 E15	4206 D14	5100 G5	7103 H6
1003 E17	2107 H8	2124 E11	2140 C4	2210 H13	2304 D15	2321 H7	3108 D8	3117 E5	3126 D6	3135 E4	3144 E5	3153 D12	3162 C6	3177 C11	3206 E14	3318 G15	4207 D14	5101 G6	7200 H12
1200 H5	2108 F12	2126 D9	2144 C4	2216 G13	2306 E15	2322 F12	3109 C7	3118 E5	3127 D6	3136 E4	3145 D6	3154 D12	3163 D6	3178 C12	3212 C14	4100 D9	4208 D14	5300 D15	7202 D13
1202 D2	2110 H9	2127 D10	2145 C4	2217 G13	2308 F14	2323 E4	3110 C6	3119 C6	3128 D6	3137 E4	3146 E4	3155 D12	3164 D12	3179 C11	3213 E13	4101 D9	4211 H11	5302 H14	7203 G12
1203 H16	2111 H10	2129 H10	2146 C3	2221 E14	2311 F15	3100 G11	3111 C7	3120 D6	3129 E5	3138 D6	3147 E4	3156 D12	3165 D12	3180 C12	3216 E14	4102 H12	4216 H11	5308 G15	7300 G14
2100 G6	2114 D10	2133 C5	2148 F11	2222 E14	2313 G15	3101 G11	3112 C7	3121 D6	3130 E4	3139 E4	3148 E5	3157 D12	3166 D12	3181 C11	3301 C15	4202 G13	4305 C15	5310 G6	7301 D15
2101 H8	2115 D9	2134 F11	2149 G11	2223 F13	2314 G14	3102 G11	3113 C6	3122 E6	3131 E4	3140 D6	3149 E4	3158 D6	3173 D11	3182 C12	3302 D15	4203 C14	4306 D15	6201 H5	7302 E15
2103 G7	2116 D8	2135 G11	2150 G12	2300 D16	2315 H16	3105 D9	3114 C6	3123 E6	3132 E4	3141 E4	3150 H10	3159 D6	3174 D12	3183 G12	3303 C15	4204 D14	4309 F15	7100 F9	7303 G15
2105 G11	2119 H9	2136 F11	2201 B3	2301 D15	2318 G15	3106 D8	3115 E5	3124 E6	3133 D6	3142 E5	3151 E12	3160 C6	3175 D11	3204 C14	3304 C15	4205 D14	4310 F15	7101 D4	



Layout P-Scan Board (Part 1 Top Side)

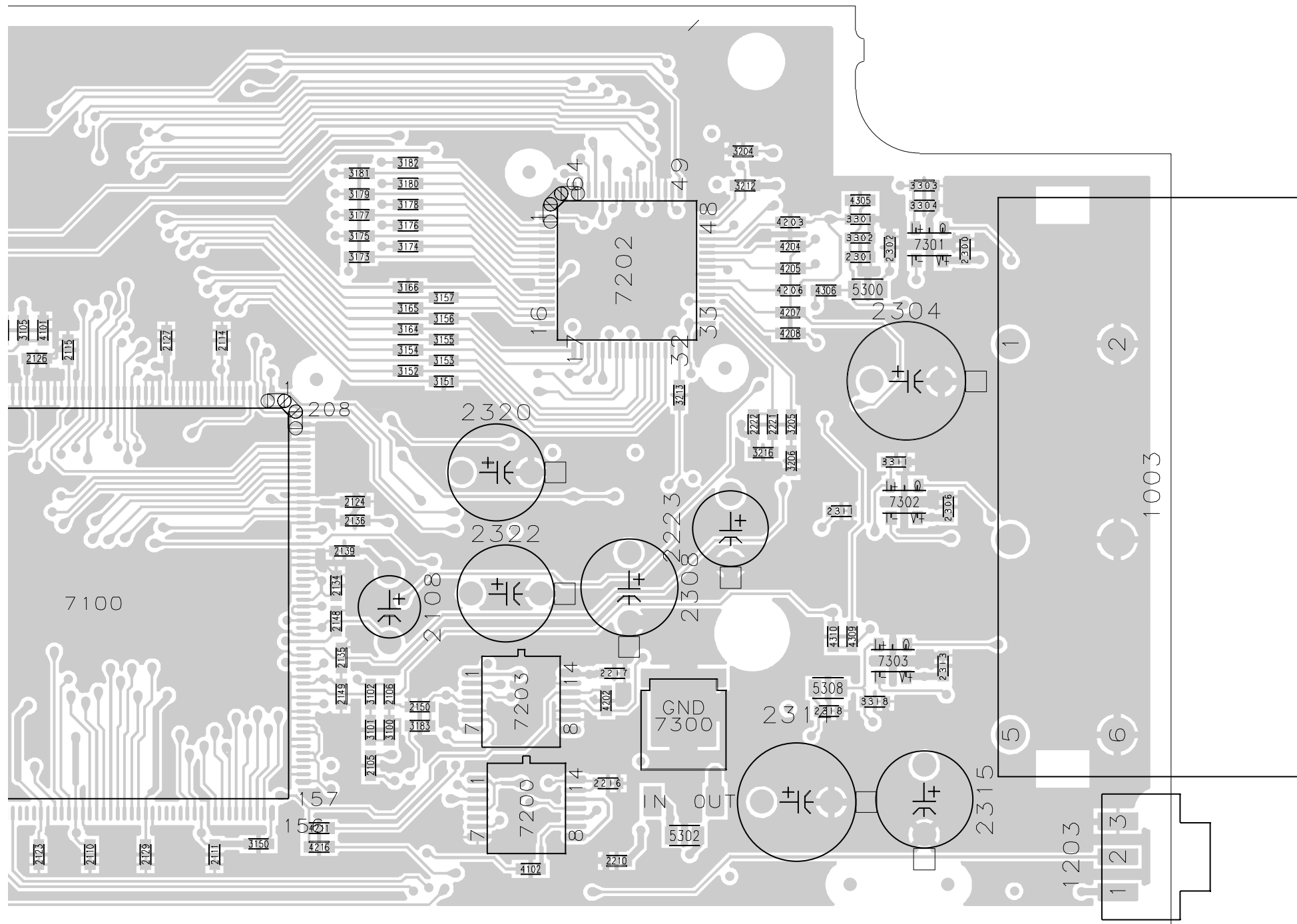


Part 1

Layout P-Scan Board (Part 2 Top Side)

9 10 11 12 13 14 15 16 17 18

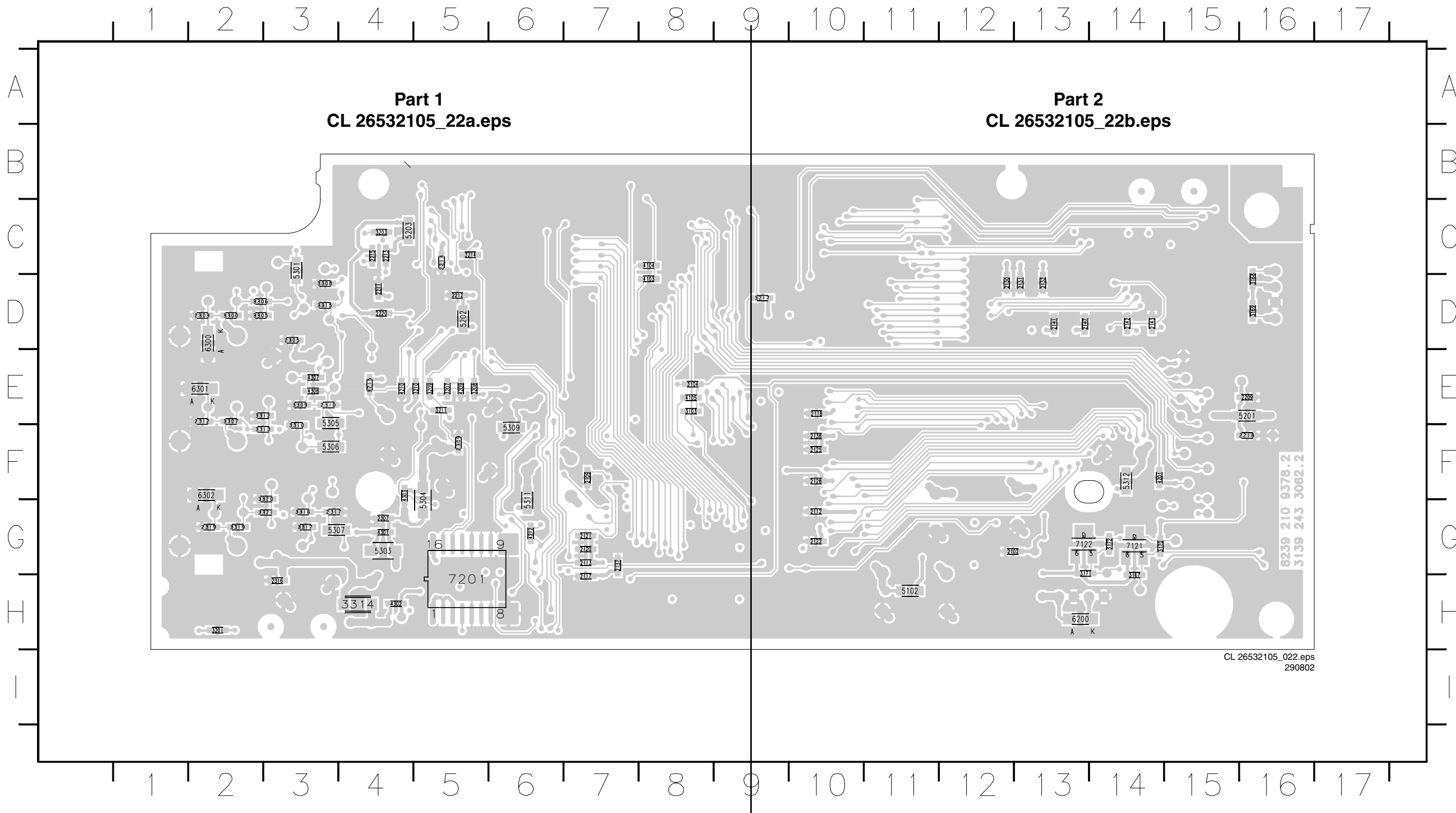
Part 2



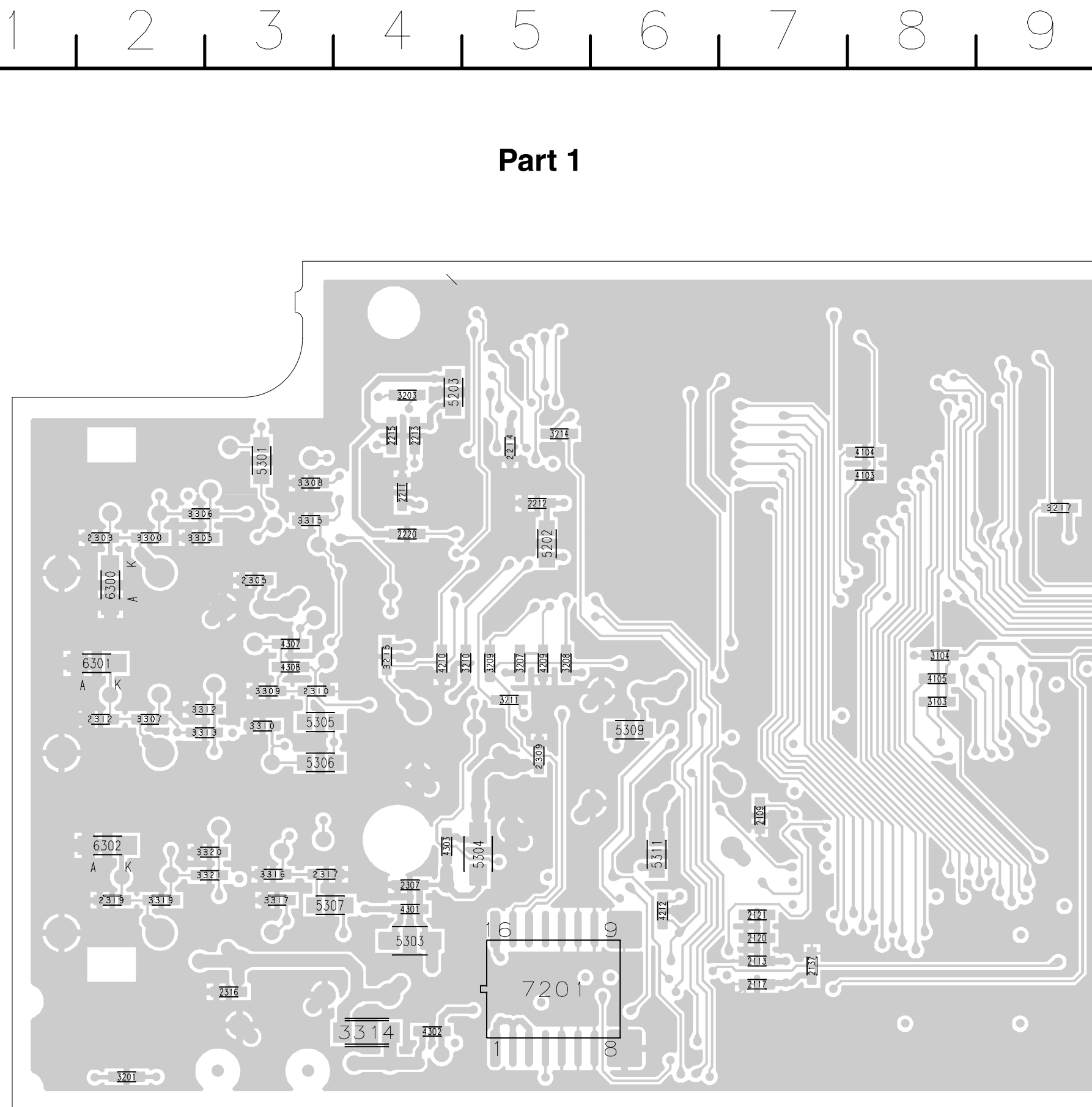
A
B
C
D
E
F
G
H

Layout P-Scan Board (Overview Bottom Side)

2102 G12	2120 G7	2131 D13	2143 D14	2214 C5	2307 G4	2319 G2	3170 G14	3208 E5	3217 D9	3309 E3	3316 G3	4104 C8	4301 G4	5201 E16	5305 E3	6200 H13	7201 H5
2109 F7	2121 G7	2132 D13	2147 D13	2215 C4	2309 F5	3103 E8	3171 G13	3209 E5	3300 D2	3310 F3	3317 G3	4105 E8	4302 H4	5202 D5	5306 F3	6300 D2	
2112 G10	2122 G10	2137 G7	2209 E16	2218 F16	2310 E3	3104 E8	3172 G14	3210 E5	3305 D2	3312 E2	3319 G2	4201 F14	4303 F4	5203 C4	5307 G3	6301 E2	
2113 G7	2125 F10	2138 F10	2211 D4	2220 D4	2312 E2	3167 H14	3201 H2	3211 E5	3306 D2	3313 F2	3320 F3	4209 E5	4307 E3	5301 C3	5309 F6	6302 F2	
2117 H7	2128 F10	2141 D13	2212 D5	2303 D2	2316 H3	3168 D16	3203 C4	3214 C5	3307 E2	3314 H4	3321 G3	4210 E4	4308 E3	5303 G4	5311 G6	7121 G14	
2118 E10	2130 D12	2142 D14	2213 C4	2305 D3	2317 G3	3169 D16	3207 E5	3215 E4	3308 D3	3315 D3	4103 D8	4212 G6	5102 H11	5304 G5	5312 F14	7122 G13	



Layout P-Scan Board (Part 1 Bottom Side)

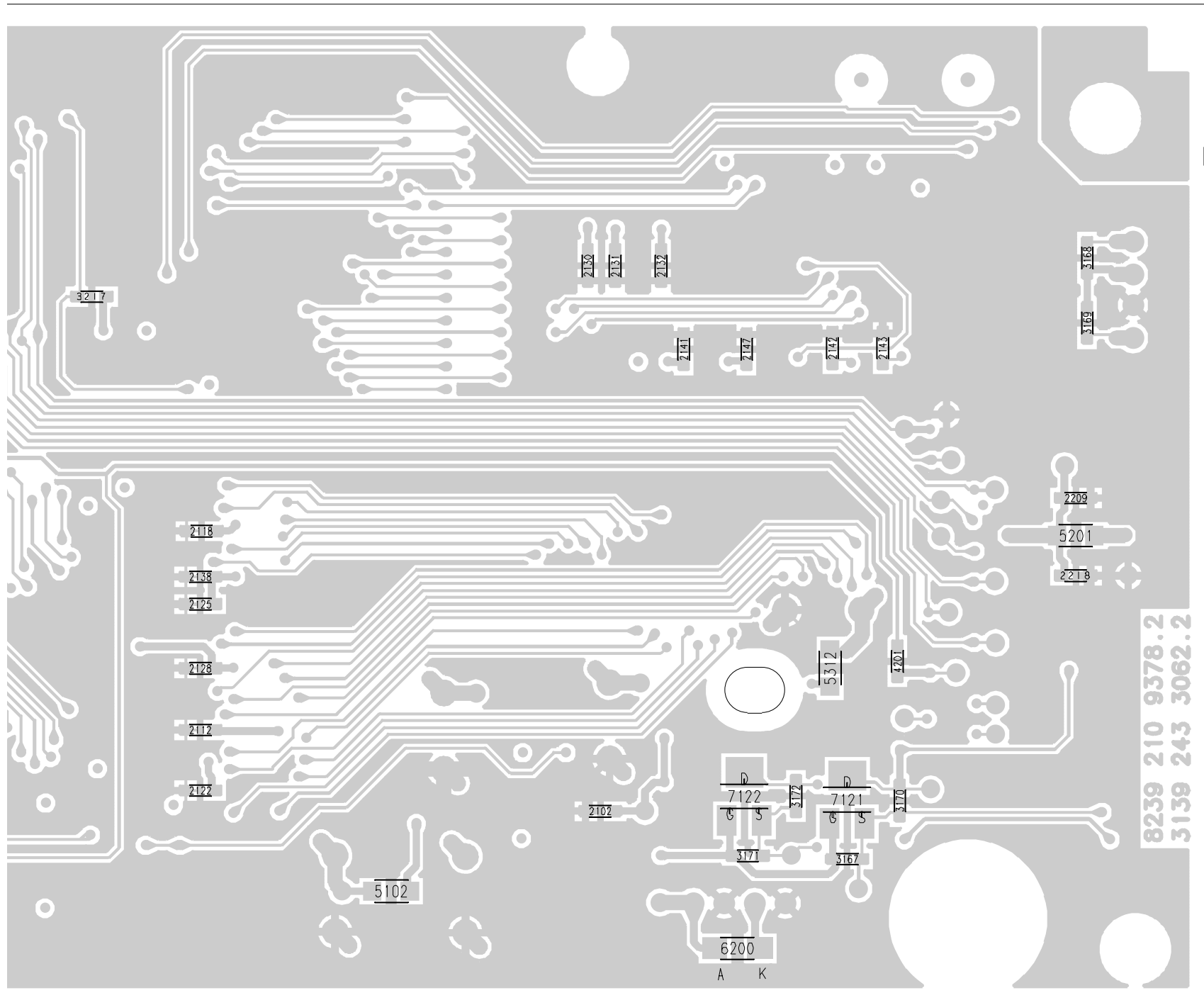


Layout P-Scan Board (Part 2 Bottom Side)

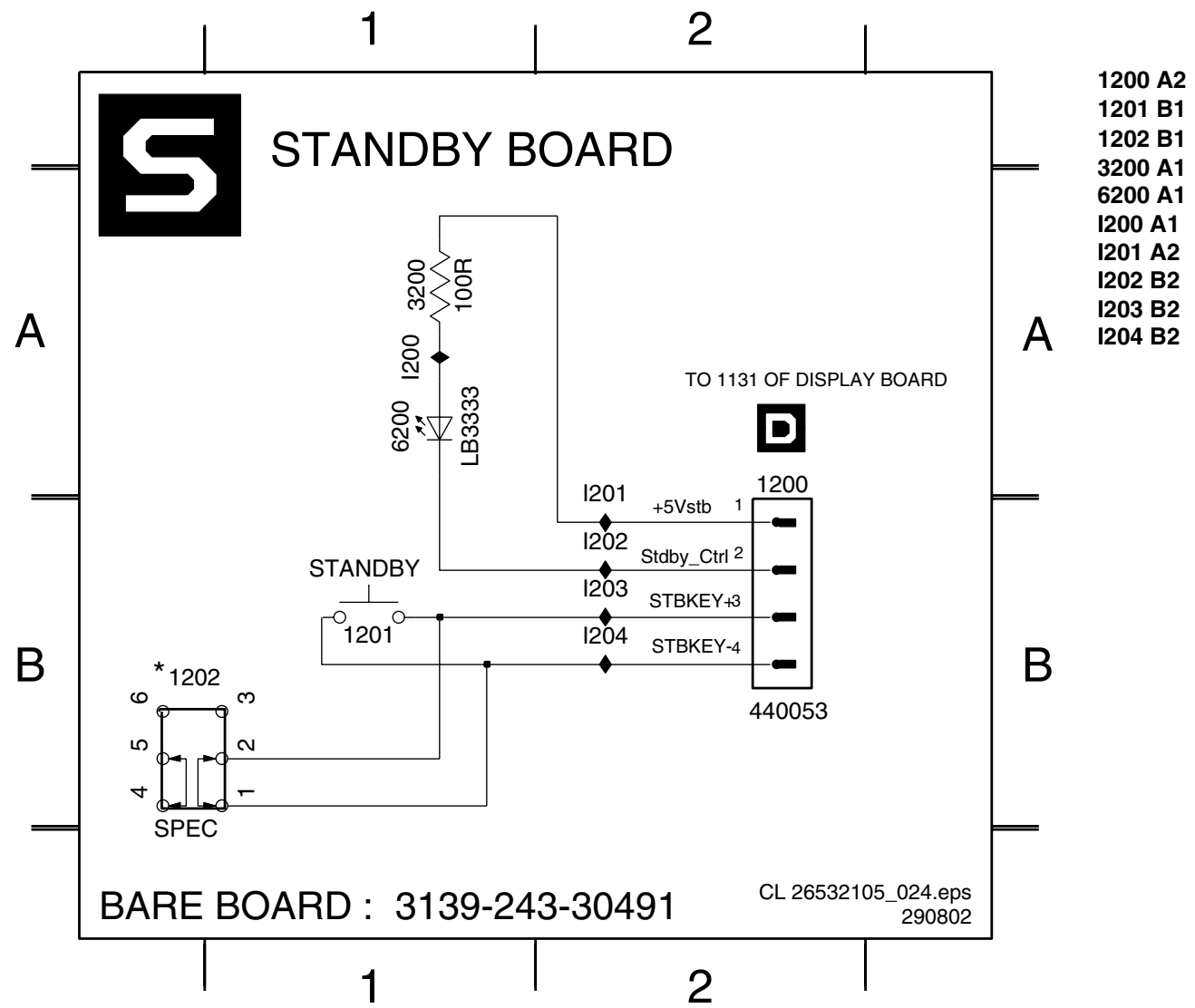
9 10 11 12 13 14 15 16 17

Part 2

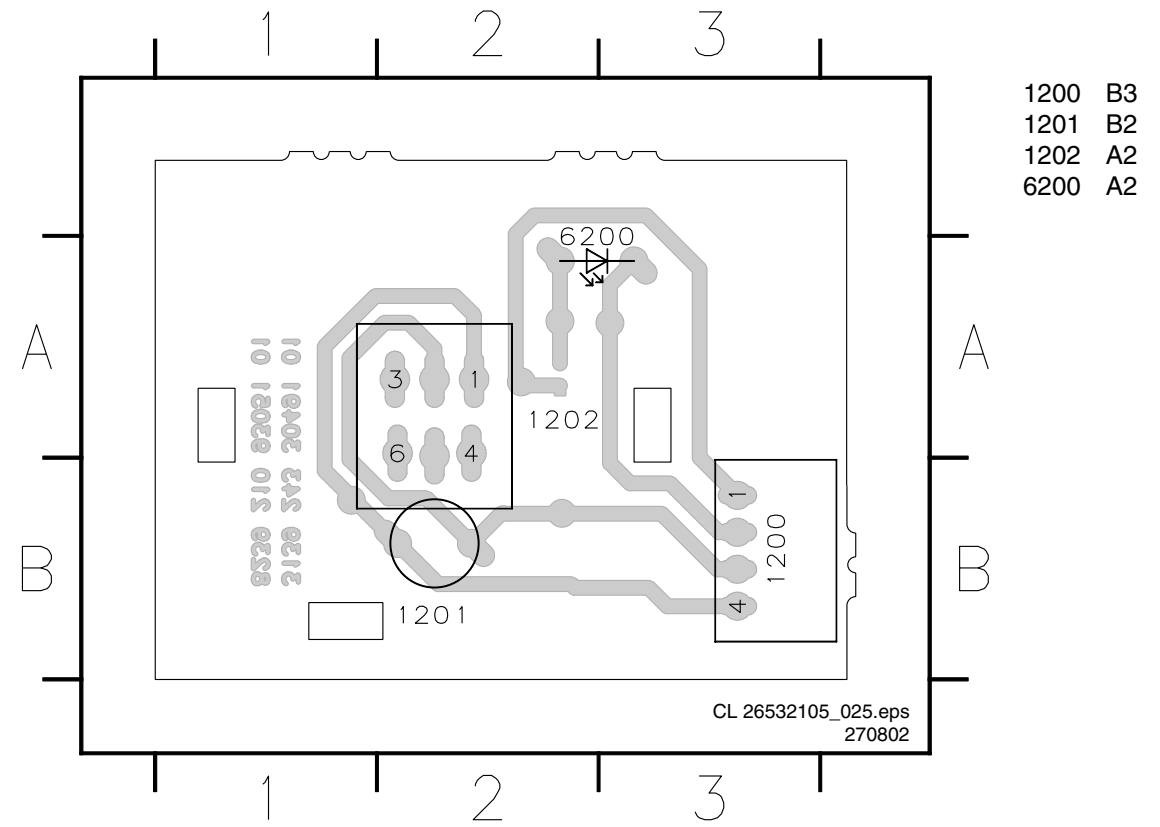
A
B
C
D
E
F
G
H
I



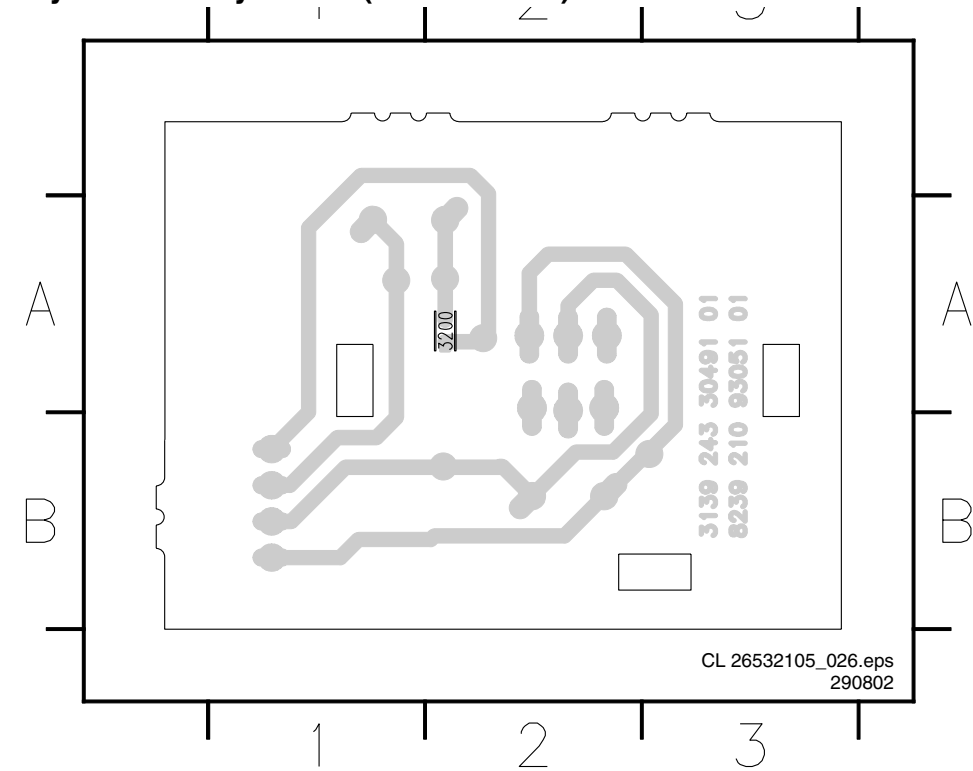
Standby Board



Layout Standby Board (Top Side)



Layout Standby Board (Bottom Side)



8. Alignments

Not applicable.

9. Circuit Descriptions and List of Abbreviations

Index of this chapter:

1. Introduction
2. Power Supply Unit (PSU).
3. Loader/Mono Board.
4. Audio Video (A/V) Board.
5. Front Display Board.
6. Abbreviations
7. IC Data

Notes:

- See also the SD4.00SA_CH Service Manual (3122 785 12480).
- Figures can deviate slightly from the actual situation, due to different set executions.
- For a good understanding of the following circuit descriptions, please use the diagrams in chapter 6 and 7. Where necessary, you will find a separate drawing for clarification.

9.1 Introduction

The DVD963SA is a model from the SACD 2002 'single disc' range. It uses a 2nd generation Philips SACD mono board, based on the Furore 2 DSD/DST decoder.

Below you will find a circuit description of the several modules.

9.2 Power Supply Unit

9.2.1 Introduction

This supply is a Switching Mode Power Supply (SMPS), which uses the control IC TY720xx to produce pulses to drive the power 'switch' (MOSFET). The TY720xx (IC7130) is a high performance, current mode controller for DC-to-DC converter applications.

The operation frequency varies with the circuit load. When the output power demand decreases, the switching frequency raises, with a maximum frequency of 125 kHz (defined by C2130 at pin 5). At this point, the internal VCO takes over and starts to decrease the switching frequency.

This has some benefits compared to a 'fixed frequency' flyback converter. The efficiency is better, which results in a lower power consumption.

9.2.2 Output Voltages

The following output voltages are present on connector 0201:

- Pin 1 and 2: +3V3.
- Pin 4: +12V
- Pin 5: +12STBY.
- Pin 7: +5V.
- Pin 9: -12V.
- Pin 11: -32V.

Note: The suffix 'STBY' indicates that the supply is not switched 'off' during Standby Mode. Power switching is done with the STBY_CTRL signal from the slave processor.

9.2.3 Operation

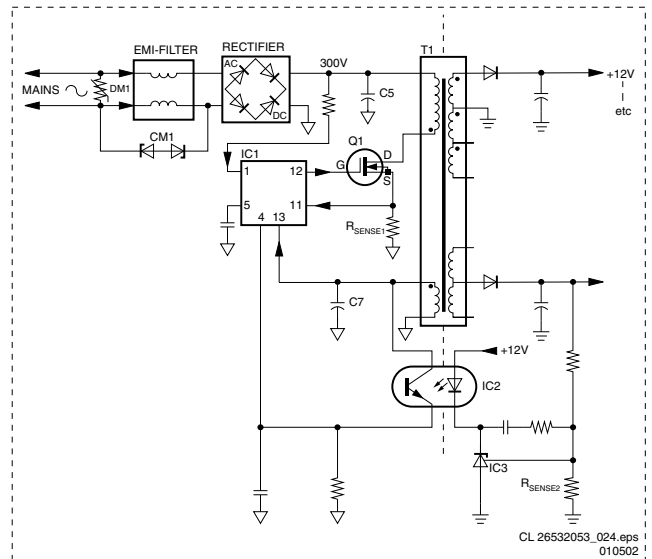


Figure 9-1 Power Supply

Mains Input Circuit

The bridge rectifier D6110 rectifies the mains voltage, after which C5 (2117) smoothens it. The DC voltage across this capacitor is the DC input voltage (approximately 300V), to pin 1 of transformer T1 (pin 9 of 5190) and pin 1 of IC1 (7130). The mains input also consists of a (differential mode) lightning protection DM1 (R3110) and a (common mode) lightning protection CM1 (D6114/15).

Start-up Circuitry

The rectified voltage from the bridge rectifier is connected to pin 1 of IC1. This voltage will charge the Vcc capacitor C7 (C2131). When this voltage, (at pin 13), reaches the start-up threshold of min. 15V, the control circuit starts to operate. After start-up, the control IC requires a sinking current, which the start-up circuitry cannot deliver. Therefore a take-over circuitry (a coupled winding of transformer T1) is present. The voltage at this point will take over the supply voltage at pin 13 of the IC1(7130).

If the take-over circuit does not function, IC1 (7130) will switch 'off' again at the minimal operating voltage of +8V. The whole operation cycle will repeat itself with audible hiccup sound if take-over is not present.

Secondary Voltage Sensing

The secondary voltage regulating circuit comprises of opto-coupler IC2 (7190), which isolates the error signal from the control IC on the primary side, and a reference component IC3 (7290, TL431).

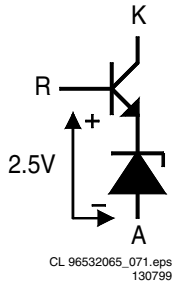


Figure 9-2 TL431

This reference component has two functions:

- A very stable and accurate reference diode
- A high gain amplifier.

When the output voltage increases (due to a reduction in the load), the voltage across $R_{SENSE-2}$ (R3290/R3291) increases to above the internal reference voltage of 2.5V. The TL431 will conduct and the current through the opto-coupler will increase. This results in an increase of the voltage at pin 4 of IC1, which will reduce the 'on' time of Q1 (FET 7125). In the event of an output voltage decrease (due to an increase in the load), the control circuit will operate in the opposite way.

Primary Current Sensing

The current through FET Q1 will result in a voltage drop across $R_{SENSE-1}$ (R3120-23). This line goes to pin 11 of IC7130, which is the current sense input. The higher the input voltage, the more the primary current is limited. In this way, the maximum output power of the power supply is limited.

Under-voltage Protection

If the supply voltage at pin 13 of IC7130 drops below 7.2V (typical), e.g. due to a shorted secondary voltage or excessive load, the drive pulse at pin 12 is disabled and the controller will switch 'off'.

Over-voltage Protection

An internal over-voltage protection circuitry continuously monitors the V_{CC} pin. If, after start-up, this voltage exceeds 40V, the internal latch circuit is triggered, the output buffer is disabled, and the SMPS goes into over-voltage protection. Now a complete restart sequence is required.

Note: If the event of the over-voltage situation remains present, the SMPS will go in sequence of protection, start-up, protection and the cycle repeats. This effect is highly audible.

9.3 Loader/Mono Board (for diagrams see SD4.00SA_CH Service Manual)

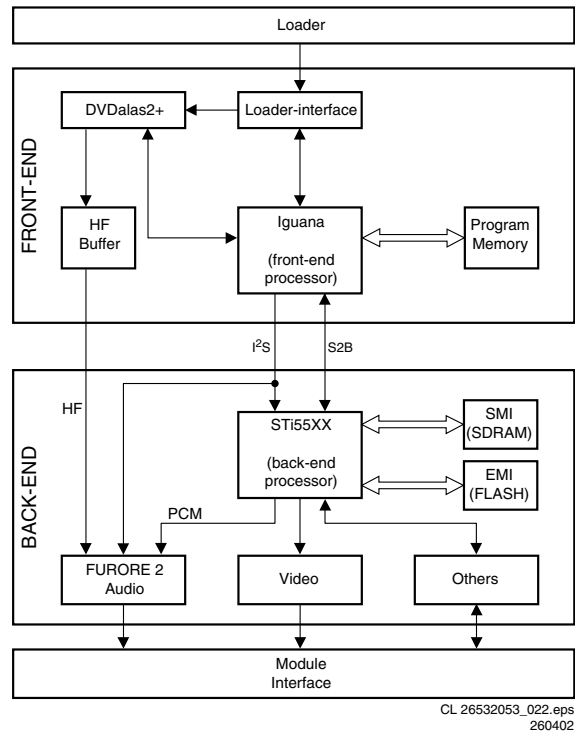


Figure 9-3 Block Diagram Loader/Mono board

The SD4.00_SA_CH (SACHI_4) is the 2nd generation Philips Architectural Standard Design of SACD mono board based on Fureore 2, and will be used in the new generation of SACD players. It is designed in a multi-task way so that it can support the following optional main functions:

- SD4.00_SA_CH: Support SACD player with 5-disc changer.
- SD4.00_SA: Support SACD player with single-disc.
- SD4.00_CH: Support DVD player with 5-disc changer but without SACD playback.
- SD4.00_SA_I²C: Support SACD player with single-disc and I²C slave.

The SD4.00_SA_CH (SACHI_4) module consist of the following key components:

1. **OPU:** Mercury 2 Loader VAL6011/14 (slim type) for a single-disc SACD player, or DVD VAM6001/14 mechanism for a 5-disc SACD changer.
2. **Front-end:** M2 Basic Engine.
3. **Back-end:** DVD Host Processor STI55xx and Fureore 2 SACD DSD/DST decoder.
4. **Power supply:** To convert the PSU voltages to the correct values.
5. **Reset circuit:** This circuit that the booting of the several devices on the mono board takes place in the correct order.

9.3.1 The Optical Pick-up Unit (OPU)

The Mercury 2 Loader has an optical unit consisting of two lasers:

- One for CD with a wavelength of 780 nm.
- One for DVD with a wavelength of 650 nm.

The TZA1033 (item 7105) controls the data from these lasers, and the supply to them.

9.3.2 Front-end: the Servo Part

The front-end consists of:

- The Loader interface

- The Servo Processor/Decoder
- The Interface/Program Memory

The Loader Interface

The TZA1033HL/K2 (or DVDALAS2plus, item 7105) is an analogue pre-processor and laser supply circuit. It contains data amplifiers and several options for radial tracking and focus control.

It is possible to optimise the dynamic range of this pre-amp/processor combination for the LF servo and RF data paths. The gain in both channels is separately programmable. This will guarantee an optimal playability for all kind of discs.

Also, a dual laser supply is implemented, with fully automatic laser control including stabilisation and an ON/OFF switch, plus a separate supply pin for power efficiency.

The Servo Processor/Decoder

In the SD3.0 module, the servo signals were fed to the MACE2 servo processor, while the HF output signal was fed to the SAA7335 decoder. In the new SD4.0SA_CH module, these ICs are combined into one chip: the SAA7812 Iguana.

This chip contains the following blocks: channel decoder, block decoder, servo processor, and microcontroller.

The servo circuit in the SAA7812 (item 7207) takes care of the servo controls.

In a CD system, there are some twelve control loops active. About six of them are needed to adjust the servo error signals that is once per disc rotation. It also adjusts offsets, signal amplitudes, and loop gains (AGCs), to enlarge system robustness and to avoid expensive potentiometer adjustments in production.

The other six loops determine the laser spot position on the disc in the radial, axial (focus), and tangential directions.

It also has to take care that the spot accesses a required position as fast as possible. This access system consists of two parts, namely the actuator and the sled, which are (within a certain range) mechanically and electrically independent. Therefore, during an access, the servo has to control as well the actuator as the sled.

The analogue signals, from the diode pre-processor, are converted into a digital representation using A/D converters. For the communication between the host processor (STi55xx) and the servo processor, the S2B bus is used. This bus supports full-duplex asynchronous communication.

The SAA7812 is also a combined CD/DVD compatible decoding device. The device operates with built in hardware for CD/DVD error correction and de-interleaving operations. It decodes EFM or EFM+HF signals directly from the laser pre-amplifier, including analogue front-end, PLL data recovery, demodulation, and error correction.

Its analogue front-end input (the channel decoder), converts the HF input signal to the digital domain via an 8-bit ADC, preceded by an AGC circuit to obtain the optimum performance from the converter. An external resonator clocks this block.

This subsystem recovers the data from the channel stream. It corrects asymmetry, performs noise filtering and equalisation, and finally recovers the bit clock and data from the channel using a digital PLL.

The demodulator part detects the frame synchronisation signals and decodes the EFM (14 bit) and EFM+ (16 bit) data and sub-code words into 8-bit symbols. Via the serial output interface, the I²S data (audio and video) go to the DVD decoder STi55xx.

The spindle-motor interface provides both motor control signals from the demodulator and, in addition, contains a tachometer loop that accepts tachometer pulses from the motor unit. They drive the motor IC (BA6665FM, item 7300).

The SAA7812 has two independent microcontroller interfaces. The first is a serial I²C-bus and the second is a standard 8-bit

multiplexed parallel interface. Both of these interfaces provide access to 32 8-bit registers for control and status.

The Interface/Program Memory

The interface between front-end (SAA7812) and back-end (Sti55xx) is via:

- I²S bus (BCLK, DATA, WCLK, FLAG, SYNC and V4).
- S2B bus (RXD_S2B, TXD_S2B, CPR_S2B and SUR_S2B).
- Miscellaneous I/O ports (RSTNF= front-end reset, EANF= front-end processor boot select).

Service tip: These lines contain series resistors (47 or 100 Ω) for easy hardware debugging, and for EMC/noise reduction of the high-speed I²S lines.

The front-end processor SAA7812 (Iguana) has two boot modes: normal boot from flash memory, or serial mode.

The boot selection is via the EANF pin. The Iguana, samples the EANF signal level once during boot-up. Once boot-up is completed, this pin is no longer used for this purpose.

However, in the SD4.0SA_CH circuit, the EANF is also connected to the flash memory. Therefore, when this pin is LOW, the lower 1 Mbits of the memory is accessible. Conversely, when this pin is HIGH, the upper 1 Mbits is accessible.

Under front-end normal operation, the program memory (less than 1 Mbits in size) should reside in the lower bank. Therefore, the EANF pin should be LOW at all times. Since the actual flash memory used is 2 Mbits, the upper 1 Mbits is unused. This area is reserved for possible use by the front-end self-diagnostic software, or flash download application.

9.3.3 Back-end: the Digital Part

The back-end consists of:

- DVD back-end processor
- SACD DSD processor
- Audio output
- Video output
- Clock factory
- Miscellaneous

DVD Back-end Processor

The SD4.0SA_CH is designed for the STi55xx family. Some of the DVD related features of these ICs are:

Processor overview

Function	STi5580	STi5588	STi5519
Basic CD/VCD/DVD decoding	X	X	X
Extra 2-channel of I2S output (PCMDATA3)	X	X	
Karaoke	X	X	
DTS	X	X	
Audio post processing (equalizer, level meter, etc)		X	
DVD audio		X	
Progressive scan at analog video output		X	

CL 16532163_048.eps
020902

Figure 9-4 Processor overview

The STi5580 has the same architecture as the STi5508 (used in earlier DVD generations), and is pin-to-pin compatible.

It works on 3.3 V (V_{DD}), and comprises the following functions:

- Video decoder, which supports MPEG1 and MPEG2.
- Audio decoder that supports AC-3, MPEG1, MPEG2, DTS, PCM, S/PDIF, and MP3.
- PAL/NTSC video encoder with simultaneously Y/C, CVBS, and RGB/YUV outputs.
- The video encoder supports Closed Caption and allows MacroVision 7.0/6.1.
- Full screen On Screen Display (OSD) generator.
- Three on-chip PLLs to generate all necessary clocks (as reference the 27 MHz video clock is used).

Input

Input data comes from the I²S-bus. The front-end interface of this device, accepts DVD, CD and CD-DA information.

Signal Processing

For video, the input data stream is decoded to the appropriate MPEG, Sub Picture, and OSD data streams, after which they are fed to the PAL/NTSC encoder. This cell will convert the digital MPEG/Sub Picture/OSD stream into a standard base band signal and into RGB components. It handles interlaced and non-interlaced data, can perform CC/TXT encoding, and allows MacroVision copy protection.

For audio, the processing cell is a fully compatible DTS, Dolby Digital (AC-3), MPEG1, MPEG2, PCM decoder, capable of decoding 5.1 and 2 channel streams.

Output

For video, six analogue output pins are available on which CVBS, S-VHS (Y/C), and RGB signals are present. They go, via a buffer, to connector 1703. As an option, a digital YUV output is available at connector 1704.

External Memory

The STi55xx family is capable of accessing external memory via three buses:

- **The enhanced memory interface (EMI).** This interface is configurable and can be used to access Flash, ROM, and various flavours of DRAM.
- **The shared memory interface (SMI).** The SMI is only used to access SDRAM. The SMI is connected to a 64Mbits (4M x 16bit) 7.5ns SDRAM (item 7500). The SDRAM has the following functions:
 - It is used by the MPEG video decoder as a frame buffer,
 - It holds the software and the variables used by it.
- **The I²C bus.** Via this bus, the NVRAM (or EEPROM) is accessible. This memory is used to store user settings, player settings, and region code. As the STi55xx I/O-lines are potentially unable handle 5V inputs, a voltage level shifter is foreseen for all I²C-busses. This circuit will isolate the STi55xx I²C ports (3.3V) from the system I²C bus (5V). See figure below.

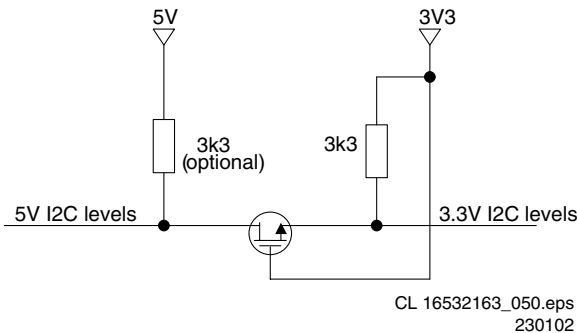


Figure 9-5 I²C voltage level shifter

The SACD DSD processor

The Furore-IC is a one-chip design, containing all the hardware that is required for SACD processing. It is intended to interface with the STixx-family DVD video decoders.

The Furore-IC contains a memory interface to support an external 16 or 64 Mbit SDRAM.

During SACD application, the STi55xx serves as a host, whereby the Furore is controlled via the EMI interface. The Furore processing part is not used during all other play modes. In these modes, the PCM audio signals are fed through the Furore to the appropriate DAC.

Block diagram

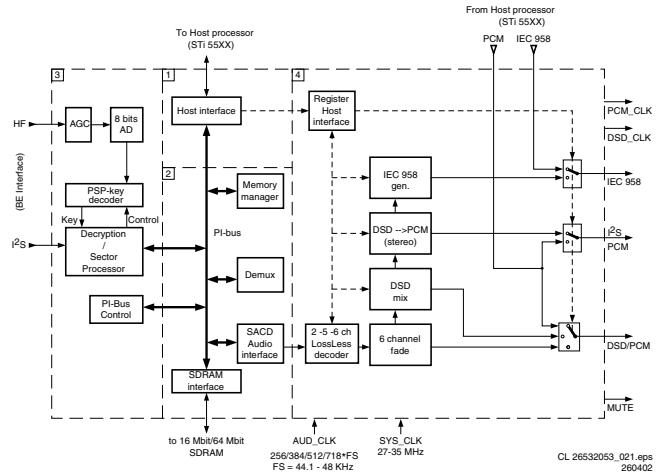


Figure 9-6 Block diagram Furore

We can divide the Furore-IC in four main parts (see block diagram):

1. **Host interface.** This is the link between the host bus and the internal registers and memory bus. It also supplies the general reset signal (HW and SW) and the interrupt signals.
2. **Data processing.** All modules and peripherals in this part are connected to a so-called PI-bus. It is beyond the scope of this manual to go more in detail on this subject.
3. **Copy protection.** On every SACD disc, a PSP-signal is recorded. The player can only play a disc if a valid PSP-signal is detected. This PSP-key is recorded, via a special mechanism, in the EFM-signal on the disc. To detect this key, the analogue HF-signal from the optical pick-up unit is fed directly to the Furore-IC. Via an AGC, the signal is fed to an ADC. The digitised HF signal is then fed to a block where key is encrypted. Control of this process is done via the host interface (sector processor).
4. **DSD decoding and post processing.** In this part, all processing is done to generate a DSD and/or an I²S stream (from the de-multiplexed stream coming from the data processing block), in such a way that it can directly be connected to a DA-converter. All processing is done on 384*FS.

Interfaces

- **Basic Engine Interface:**
 - Data input interface. The Basic Engine Interface (I²S) is connected to the output of the SAA7335 (HD61) high speed CD decoder.
 - Analogue HF input. The analogue HF input, coming from the optical pickup unit (OPU), is also fed to the Furore-IC, to extract the copy-protection information PSP (Pit Signal Processing = invisible data is stored on to disc, which is required to decrypt the encrypted content).
- **SDRAM Interface:** The SDRAM interface forms a glue less interface to one 64 Mbit SDRAM device. The interface takes care for the power-up sequence, mode programming and refreshing of the SDRAM devices. This is hard coded in the interface and does not have to be controlled by the host.
- **Audio data input/output Interface:**
 - DSD/PCM combined data output. DSD_PCM: Output intended for a combined 6-channel DSD (SACD) and PCM (DVD-CDDA) DAC. Switching between the PCM data coming from the STi55xx, and the internal generated DSD signals, is done in the Furore IC.
 - Stereo DSD only output. DSD_stereo: 2-channel DSD output with stereo down mix in the case of 5- and 6-channel, and normal stereo in case of 2-channel DSD mode.

- Stereo PCM data output. Two possible stereo sources can be selected as stereo PCM output:
 1. Stereo PCM coming from the STi55xx via the PCM input on Furore.
 2. Stereo or down-mix-PCM derived via a decimation filter from the SACD-DSD signal.
- Digital audio output interface (IEC958). The IEC958 format is intended to connect the DVD736SA to a digital receiver. No DSD signals are defined for IEC958, therefore the 'DSD-->PCM converted' signal is transmitted. Following two types of signals are possible on the digital interface:
 1. IEC958 data coming from the STi55xx.
 2. IEC958 data (stereo or down-mix-PCM) derived via a decimation filter from the SACD-DSD signal.
- Clock + reset input. Two different processing clocks and a reset pulse are needed:
 1. Sys_clk: System clock for data processing part, frequency can be 27 MHz or 768*FS.
 2. 384*FS: Processing clock for LLD and post processing.
 3. RESETn is an asynchronous reset and should be low for at least 1 period of DSD_CLK.

Memory

- **SDRAM.** The size of the SDRAM is 64 Mbit (items 7500 and 7502). It has the following functions:
 - It is used by the MPEG video decoder as a frame buffer,
 - It holds the software and the variables used by it.
- **Flash-ROM.** Two 2MB Flash-ROMs (items 7402 and 7403) hold the DVD firmware, and are controlled by pin 16 (FLASH_OEN) of the STi55xx. It must be able to perform a download (by disk or OS-link) in a Flash-only system.
- **EEPROM.** User settings, player settings, and region code are stored in a 32 Kb I²C EEPROM.

Audio Output

The audio interfaces available in SD4.0SA_CH are I²S and S/PDIF for digital audio output, and I²S karaoke microphone input.

In SACD player, two types of DACs (that are PCM DAC and high end DSD DAC), are used on AV board.

The audio data path to both DACs is routed via the Furore 2.

I²S audio

The STi55xx is capable of 6-channel I²S output. These channels can be configured to output 5.1 Dolby Digital, DTS, etc.

- PCM_OUT0: Left and Right.
- PCM_OUT1: Centre and LFE (subwoofer).
- PCM_OUT2: Left and Right surround.

Two additional channels (available in STi5580 and STi5588) are capable of providing down-mixed stereo.

S/PDIF

The S/PDIF signal level (pin 57, SPDIF_OUT) is 5V TTL at module interface. To meet the complete S/PDIF specifications, an external de-coupling circuit (item 7720, diagram M7) is implemented.

I²S karaoke (optional)

The STi5580 and STi5588 have built-in karaoke processing. The internal karaoke block accepts I²S signal, acting as the master by generating the required KOKPCMCLK frequency. This frequency is always 1/4 the music sampling frequency. An external analogue-to-digital converter (ADC), acting as slave, is required to convert the microphone signals to I²S signals.

CD-DA/DVD Data Path

The data path for CD-DA and DVD is as follows:

- I²S data from the M2 basic engine enters the STi55xx.

- The STi55xx processes the data, and sends the 6 PCM output channels to Furore 2. The LeRi channels are directly passed to the AV board also.
- The switch matrix of the Furore 2 sends the two incoming stereo PCM channels (LeRi) to the AV board.
- The switch matrix of the Furore 2 sends the six incoming PCM channels to the high end DAC board.
- The mute signal from the STi55xx is directly passed to the AV board. This requires a patch on the mono board.
- The IEC958 output of the STi55xx is fed directly to AV board.

The clock distribution is as follows:

- The master clock 384FS is received from the high end DAC board.
- From this clock the 27 MHz clock for STi5580 and the Furore 2 is derived (Video clock).
- From the 27 MHz clock the audio clock (256FS) is derived. The STi55xx and Furore 2 use this clock. For CD-DA FS amounts to 44.1 kHz, for DVD 48 or 96 kHz.
- In case of CD-DA, the high end DAC uses its internal clock (384FS). In case of DVD, the switch matrix of Furore 2 sends the audio clock (256FS) to the high end DAC on AV board.
- The AV board receives the 256FS clock.

Selection of the audio clock is done in the clock factory. For a description of the clock factory, see paragraph 'Clock Factory'.

SACD Data Path

The data path for DSD/DST is as follows:

- I²S data from the basic engine enters the Furore 2.
- The Furore 2 processes the data. This results in 6 DSD/DST channels.
- The switch matrix of the Furore 2 sends the 6 DSD/DST channels to the high end DAC on AV board.
- The 6 DSD/DST channels are down mixed to a stereo PCM signal.
- The switch matrix of the Furore 2 sends the stereo PCM signal to the AV board.
- The mute signal from the STi55xx is directly passed to the AV board. This requires a patch on the mono board.

The clock distribution is as follows:

- The master clock 384FS is received from the high end DAC on AV board.
- From this clock the 27 MHz clock for STi55xx and Furore 2 is derived (video clock).
- From the 27 MHz clock the audio clock (256FS) is derived. The STi5580 and Furore 2 use this clock.
- The high end DAC on AV board uses its own XTAL clock (384FS). The 256FS clock to the DAC board is switched off, to prevent for interference.
- The AV board receives the 256FS clock.

Selection of the audio clock is done in the clock factory. For a description of the clock factory, see paragraph 'Clock Factory'.

Video Output

Digital video (optional)

Digital YUV output is routed directly from STi55xx ports to a 24-pin connector (item 1704). From the same connector, the HSYNC, VSYNC and 27MHZ_CLK signals are available. The digital YUV connector is the interface to external video processing devices; such as high quality progressive scan codex and high quality video DAC.

Analogue video

The STi55xx is capable of 6-channel analogue video. Three channels (pins 25, 26 and 27) are RGB or YUV format, while the other three channels (pins 32, 33 and 34) are Y, C, and CVBS.

A video output buffer (see diagram M7, e.g. item 7701 for R) is implemented: an 8MHz/16MHz selectable filter stage and a 75Ω drive stage.

Clock Factory

One clock factory is implemented to support all clocks required by the Furore 2. The various master clock, which depends on whether SACD is present, is used for SD4.00_SA_CH. The clock factory of SD4.00_SA_CH is showed in Figure 8-2.

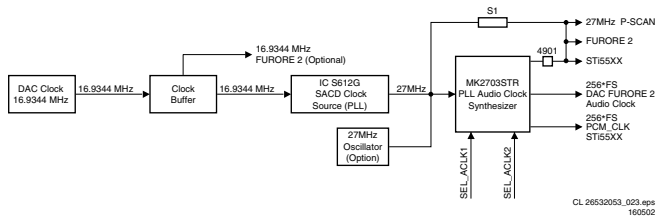


Figure 9-7 Block diagram clock factory

For the SACD player, the clock system is a DAC master clock system. For non-SACD player, the clock system is a mono board master clock system.

The Furore 2 supports clock $256 \cdot FS/384 \cdot FS/512 \cdot FS$. The most convenient value in the market is 16.9344 MHz ($384 \cdot FS$, $FS=44.1\text{kHz}$). Therefore, the master clock on the SD4.00_SA_CH mono board is the $384 \cdot FS$ coming from the A/V board. The $384 \cdot FS$ (16.9344 MHz) from the DAC clock, must always be present. It is buffered before it is sent to the Furore 2 and the rest of the clock factory. The IC S612G delivers a 27 MHz system clock.

The Furore 2 and Sti5580/Sti5588 (Video) use this clock. It is used to derive the PCM audio clocks $256 \cdot FS$ by the MK2703STR. This IC is also used to buffer the incoming 27 MHz clock.

The communication between the Sti55xx and the Furore 2 is asynchronous.

To support non-SACD playback, an on-board 27MHz oscillator delivers the master clock for SD4.00_SA_CH mono board.

Miscellaneous

Most general IO ports are connected directly to the module interface. Compared with the SD3.0 module, some on-board circuits are removed, as it made more sense (and more cost effective) to implement these circuits externally.

SCART Status Signal

The SCART0 and SCART1 signals are directly available at the module interface, where the 0_6_12V signal is generated. See table below:

Table 9-1 0_6_12V SCART status truth table

Function	PIO3_6 (SCART0)	PIO3_7 (SCART1)	0_6_12V (at SCART connector)
TV display	1	1	0V
TV display	0	1	0V
16:9 aspect ratio	1	0	+6V
4:3 aspect ratio	0	0	+12V

Mute

The audio MUTE signal (active 'high') is directly available at the module interface.

Service

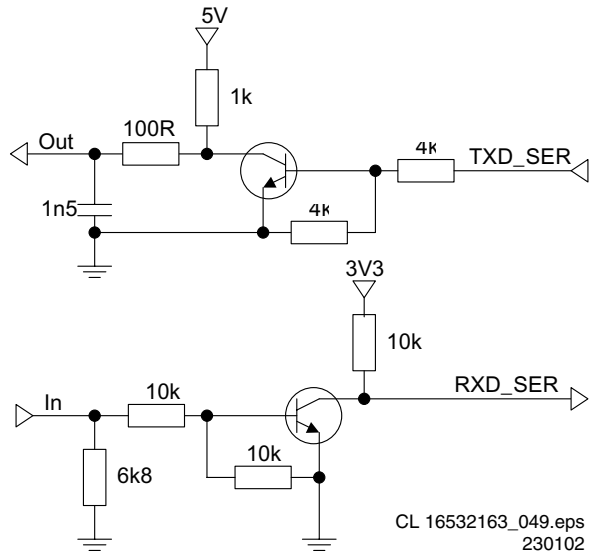


Figure 9-8 Service Port Buffer

The service port (see diagram M5) is simplified to reduce cost. The unused RTS and CTS lines are no longer connected. A transistor buffer (item 7502) is used instead of the Schmitt Trigger buffer (item 7501).

The overall loading and driving capability of the RS-232 emulator port is not greatly changed. However, as a precaution, the Schmitt Trigger circuit remains in the layout as an optional implementation.

This SD4.0SA_CH has the same ComPair connector as in previous DVD generations. Flashing of the application-SW is not possible with the ComPair cable, except with a CD-R disc. For sets with Mask-ROM software, replace it with a programmed Flash (available via your Philips Service organisation).

Power Supply (diagram M7)

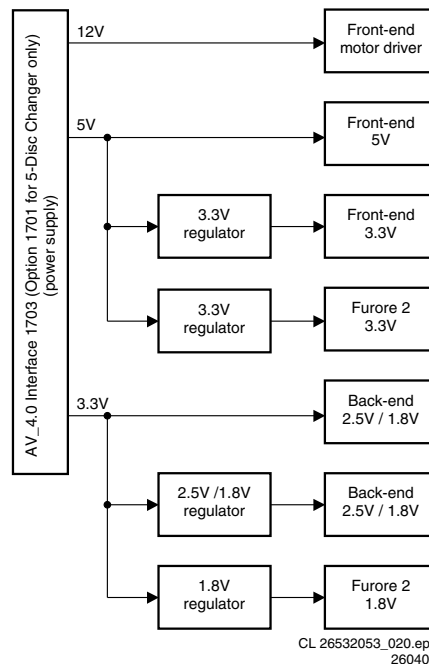


Figure 9-9 Mono Board Power Supply Block Diagram

The main power supplies to the module are 3.3V, 5V, and 12V (input via connector 1703).

The SACD DSD/DST decoder Furore 2 uses 1.8V for its core and analogue portion, and 3.3V for its interface. The on-board 1.8V linear regulator LF18ABDT and 3.3V linear LD1117DT33 are used to generate 1.8V and 3.3V power supply respectively. The back-end section mainly uses the 1.8V or 2.5V and 3.3V, which depend on which back-end processor is used. The on-board linear regulators LF25ABDT or LF18ABDT are used to generate the 2.5V (or 1.8V) required by the STi55xx. The front-end section mainly uses the 5V and 12V. An on-board linear regulator LD1117DT33 can be used to generate the 3.3V required by the front-end. The 12V is used by the motor and servo drivers.

Reset Circuit

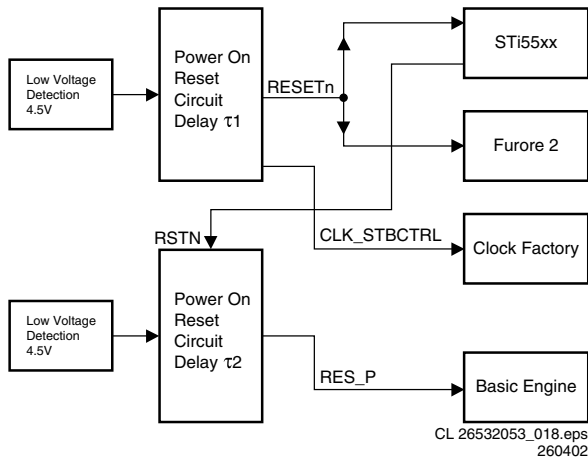


Figure 9-10 Block diagram of reset circuit

This reset circuit takes care that booting the different devices on the mono board takes place in the correct order. The correct reset order is:

1. The Power On Reset circuit (delay τ_1) creates a reset signal 'RESETn' to reset the STi55xx and Furore .
2. In the meantime, the Power On Reset circuit (delay τ_1) creates a reset signal 'CLK_STBCTRL', which is inverted to 'RESETn', to enable the Clock Factory.
3. Then, the Power On Reset circuit (delay τ_2) generates a reset signal 'RES_P' to reset the Basic Engine.
4. The STi55xx can now reset the Basic Engine via 'RSTN'.

9.4 Audio/Video (A/V) Board

This board is the interface panel between the DVD-player and its peripherals.

9.4.1 Block diagram

See Block diagram A/V Board in chapter 6.

9.4.2 Control

The control of the A/V board is done by I²C-decoder IC7107 (see table below):

Table 9-2 Control lines overview IC7107

Description	Pin	Hi	Lo
CLK_SEL	12	External clock (DSD stream)	Internal clock (PCM stream)
UPSAMPLING	11	No upsampling	Upsampling
DAC_RESET	10	Normal	Reset
CENTER_ON	9	Off	On
SPDIF-MUTE	5	Mute	No mute
192k/96k	4	192k PCM	96k PCM

9.4.3 Video

The analogue video signals from the Mono Board are buffered before they are fed to the A/V board. The video outputs from the A/V Board are RGB/YUV, YC, and CVBS. These signals are also fed to the double SCART board.

9.4.4 Audio

The digital audio signals for Surround, Centre and LFE (subwoofer) are fed to a 6-channel DAC CS4362 (item 7300, 48-pin LQFP) for the audio output. This DAC accepts both DSD and PCM data streams.

The digital audio signals for Front and Stereo are fed to a high performance current output DAC AD1955 (item 7301) via a multiplexer (item 7200) which selects either the direct PCM or an upsampled data stream (determined by the UPSAMPLING control line).

The Upsampling is only applicable for CD playback, and the AD1895 sample rate converter (item 7201) converts the 44.1 kHz/16 bit audio to various formats such as 96 kHz/24 bit or 192 kHz/24 bit.

The bit and word clock, required by the upsampling DAC AD1955 (item 7301), are derived from the 24.576 MHz master clock (item7103) via counter (item 7204/7205).

The S/PDIF, only supports digital output upsampling of 96 kHz/24 bit and is encoded by the digital audio transmitter AK4103 (item7203).

There is a control line from IC7107, called CENTRE_ON, which is used to switch between the centre channel and front channels for both SACD- and DVD modes.

9.5 Progressive Scan Board

The DVD963SA series offer progressive scan YUV outputs, and the option to select the interlace YUV output by a sliding switch on the board (selectable at the rear of the player).

9.5.1 Block diagram

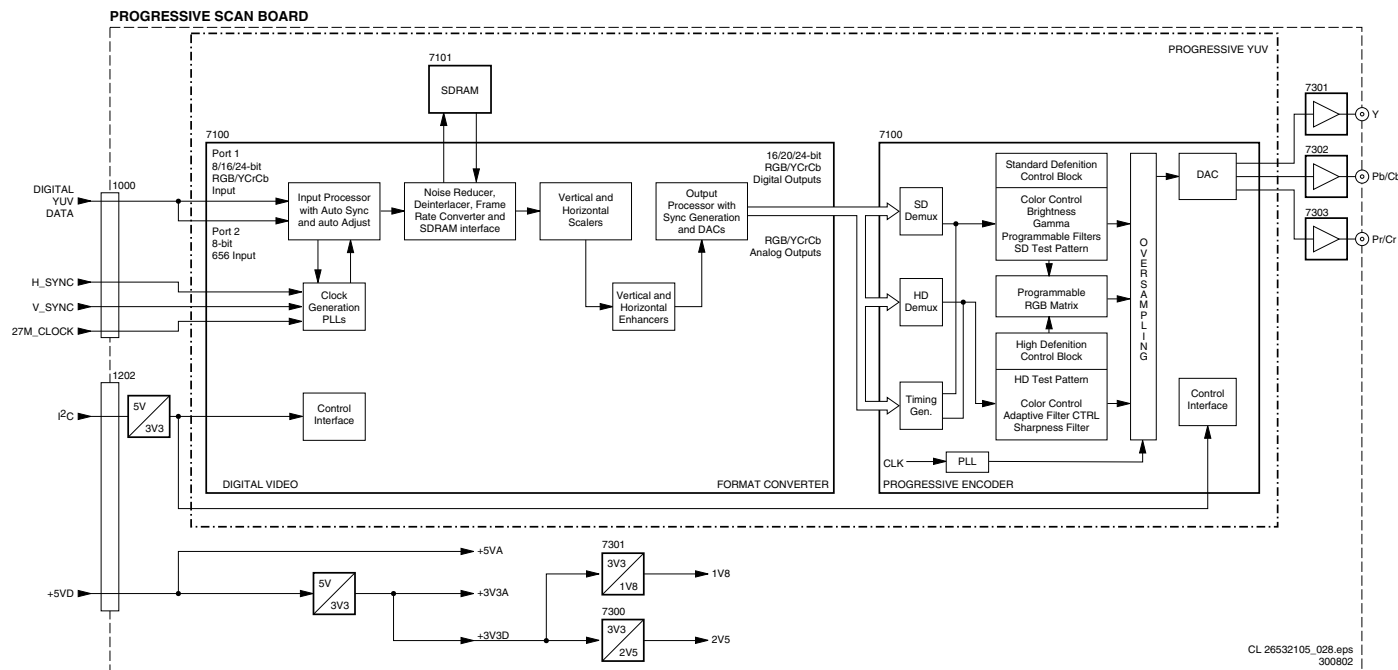


Figure 9-11 Block diagram Progressive Scan Board

9.5.2 Progressive YUV

This creates a picture signal with double the scan lines of a conventional interlaced picture, to create a noticeably sharper and smoother image. It offers higher picture resolution and eliminates virtually all motion artefacts. Even on large screens, the progressive scan lines are barely noticeable and it reduces picture flickering significant.

Two new IC's are used: the Faroudja FLI2310 Digital Video Format Converter, and the Analog Devices ADV7300 Progressive Scan Video Encoder.

This board also offers the Digital Crystal Clear feature, which allow you to fine-tune the following parameters:

- Gamma correction.
- Chroma and Luma delay.
- Sharpness.
- DCDi: to produce a smooth and natural looking image without visible artifacts (like jagged edges).
- True life: brings out details in the picture, producing a more life-like image.

9.6 Double SCART

This board consists of two SCART connectors and a SCART-switch (item 7501, STV6410), which is controlled by I²C. In a P50 player with double SCART connectors, video and audio loop-through must be available. This loop-through is controlled by the P50 commands, which are send via pin 10 of the SCART connector. When the DVD player is in standby, the loop-through is active. During standby, the display (slave) processor is active (takes over the I²C-bus), and will manage the P50 commands.

Note: The loop-through only functions when the DVD-player is in standby (NOT in low power standby)

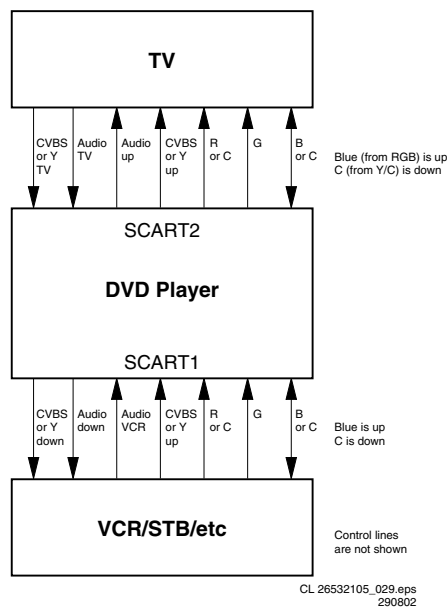


Figure 9-12 Loop-through set-up

The B component (from RGB) and the C component (from Y/C) share the same pin on the SCART connector (pin 7). Because the B-signal is an "up-stream" signal (towards the TV) and the C-signal is a "down-stream" signal (towards the VCR), this pin 7 must be a bi-directional pin. Because the STV6410

does not support this, an external circuit (two bi-directional switches, named switch "1" and switch "2") is added. The Y- and CVBS-components also share the same pins.

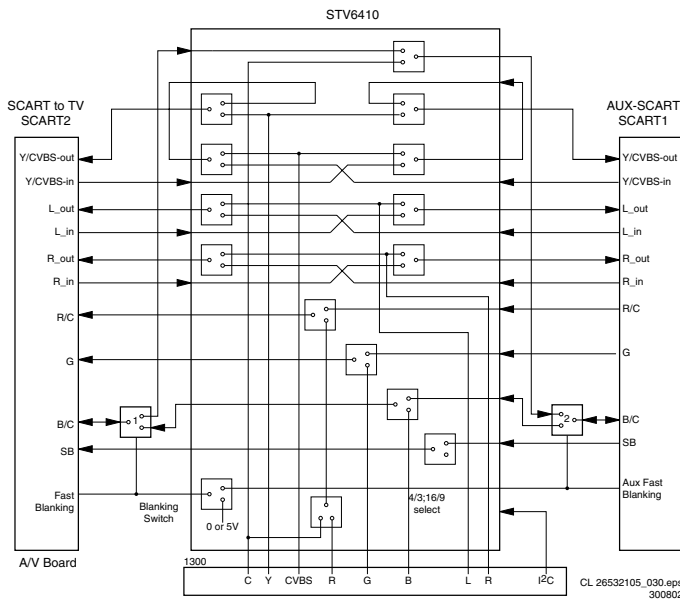


Figure 9-13 SCART switching circuitry

- Switch "1" is controlled by the FB (Fast Blanking) pin (pin 16) of SCART2 (TV SCART):
 - If the FB line is low, C is input on the B/C of SCART2.
 - If the FB line is high, B is output on the B/C of SCART2.
- Switch "2" is controlled by the FB (Fast Blanking) pin (pin 16) of SCART1 (AUX SCART):
 - If the FB line is low, C is output on the B/C of SCART1.
 - If the FB line is high, B is input on the B/C of SCART1.

We can distinguish four situations:

1. DVD player is ON, DVD is active (DVD mode):
NO LOOP-TROUGH.
2. DVD player is ON, DVD is not active (TV mode):
LOOP-TROUGH.
3. DVD player is ON, external source becomes active:
LOOP-TROUGH.
4. DVD player is in STBY:
LOOP-TROUGH.

9.7 Control and Display Panel

9.7.1 Control

Slave processor

The key component on this board is the (slave) microprocessor (item 7401). It runs on an 8 MHz system clock generated with a ceramic resonator (item 1119) and has a reset circuit (item 7105) that is triggered by the +5Vstb voltage.

The start-up sequence is as follows:

1. The required IC voltage is the +5Vstb, which is present during Standby Mode.
2. When the RESET circuit (item 7105) is triggered by the +5Vstb, the slave uP initialises.
3. This will set the STDBY_CONTROL signal to LOW, which will switch on the 12V and subsequently the +3V3.
4. Once these voltages are provided, the host uP (on the mono board) will reset (via reset circuit around item 7412 on the mono board, diagram M4).
5. Now, the host uP will initialise, and indicate the slave uP to activate the Standby Mode (STBY_CONTROL) signal.
6. The player wakes up from the Standby Mode when any button is pressed on the front panel, or when the 'Power' button is pressed on the Remote Control.

Also, when going to Standby, the slave processor will reset the host processor. When the slave processor receives the correct IR (or key) code to leave the Standby mode, it resets the host processor.

Note: The slave uP will not reset successfully, if the 8MHz clock oscillator has not stabilised (check on pin 8 of IC7101).

Other slave processor functions are:

- Generation of a scanning grid for the keys,
- Generation of the display grid and segment scanning,
- Generation of square signal to generate the filament voltage for FTD display,
- Inputs for RC5/6 and P50 (P50 controller is build in).

Standby LED

Transistor 7104 drives the Standby LED. When the STBLEDD signal from the slave processor is 'high' (pin 14), the LED is 'off'.

Key Matrix

When a key on the local keyboard is pressed, the signal at the scanning pins of the microprocessor (pins 34, 35, 36 and 37) go from +5 V to 0 V.

IR Receiver

The IR controller in the slave processor handles both RC5 and RC6 signals (input on pin 22). The logic is +5 V for 'high' and 0 V for 'low'.

Status LEDs

The four status LEDs (SOUND, AUDIO DIRECT, UP-SAMPLING, and P-SCAN) are controlled by the slave processor.

P50 Interface

P50 (or Easylink) is a bi-directional serial interface for communication between video equipment. For European sets, this communication goes via pin 10 of the SCART connector, while for other regions (when present), this is a cinch connector. The slave processor controls the P50 bus (via pins 11 and 20).

9.7.2 Display

Because these DVD players have an AC display (FTD) and a DC supply, an AC voltage is created by the microprocessor. The slave processor has an internal square signal generator (42 kHz, duty cycle 45/55), to generate the AC filament voltage. This square voltage is amplified (by TS7106 and 7109) and decoupled (C2138 and C2143) before it is applied to the display. The necessary voltage of -32 V comes directly from the PSU.

9.8 Abbreviation list

ADC	Analogue to Digital Converter	SRAM	Static RAM
AGC	Automatic Gain Control	STBY	Standby
ASD	Architecture and Standard Design	SVCD	Super Video CD
AM	Amplitude Modulation	SW	Software
BE	Basic Engine	THD	Total Harmonic Distortion
ComPair	Computer aided rePair	TTL	Transistor Transistor Logic (5V logic)
CD-DA	CD Digital Audio	uP	Microprocessor
CS	Chip Select	VAL	Video Audio Loader
CVBS	Composite Video Blanking and Synchronisation	VCD	Video CD
DAC	Digital to Analogue Converter	Y/C	Luminance (Y) and Chrominance (C) signal
DAIO	Digital Audio Input Output	YUV	Component video
DEMUX	De-multiplexer		
DENC	Digital Encoder		
DFU	Direction For Use: description for the end user		
DNR	Dynamic Noise Reduction		
DRAM	Dynamic Random Access Memory		
DSD	Direct Stream Digital		
DSP	Digital Signal Processing		
DST	Direct Stream Transfer (= loss less compressed DSD signal)		
DTS	Digital Theatre Sound		
DVD	Digital Versatile Disc		
EEPROM	Electrically Erasable and Programmable Read Only Memory		
EFM	Eight to Fourteen bit Modulation		
EMI	External Memory Interface (STi55xx)		
FFC	Flat Foil Cable		
FLASH	Flash memory		
HPF	High Pass Filter		
HW	Hardware		
I ² C	Integrated IC bus (signals at 5V level)		
I ² S	Integrated IC Sound bus (signals at 3.3V level)		
IC	Integrated Circuit		
IF	Intermediate Frequency		
IRQ	Interrupt Request		
KOK	Karaoke		
LFE	Low Frequency Effect (= subwoofer)		
LLD	Loss Less Decoder		
LPCM	Linear Pulse Code Modulation		
LRCLK	Left/Right clock		
LVTTL	Low Voltage Transistor Transistor Logic (3.3V logic)		
M2	Mercury 2 Basic Engine		
MACE	Mini All Compact Disc Engine		
MPEG	Motion Pictures Experts Group		
NC	Not Connected		
NVM	Non Volatile Memory (= IC containing TV related data e.g. alignments)		
OC	Open Circuit		
OPU	Optical Pick-up Unit		
PCB	Printed Circuit Board (see PWB)		
PCM	Pulse Code Modulation		
PCM_CLK	Audio system clock for DAC		
PCM_OUTx	Audio serial output data		
PSP	Pit Signal Processing		
PSU	Power Supply Unit		
PWB	Printed Wiring Board (see PCB)		
RAM	Random Access Memory		
RGB	Red, Green and Blue colour space		
ROM	Read Only Memory		
S2B	Serial to Basic Engine (= communication bus between host- and servo processor)		
SCL	Serial Clock I ² C		
SCLK	Audio serial bit clock		
SDA	Serial Data I ² C		
SDRAM	Synchronous DRAM		
SMI	Shared Memory Interface		
S/PDIF	Sony Philips Digital InterFace		

9.9 IC Data

In this paragraph, the internal block diagrams and pinning are given of ICs that are drawn as 'black box' in the electrical diagrams (with the exception of 'memory' and 'logic' ICs).

9.9.1 Diagram Power Supply: TY72011P2 (item 7130)

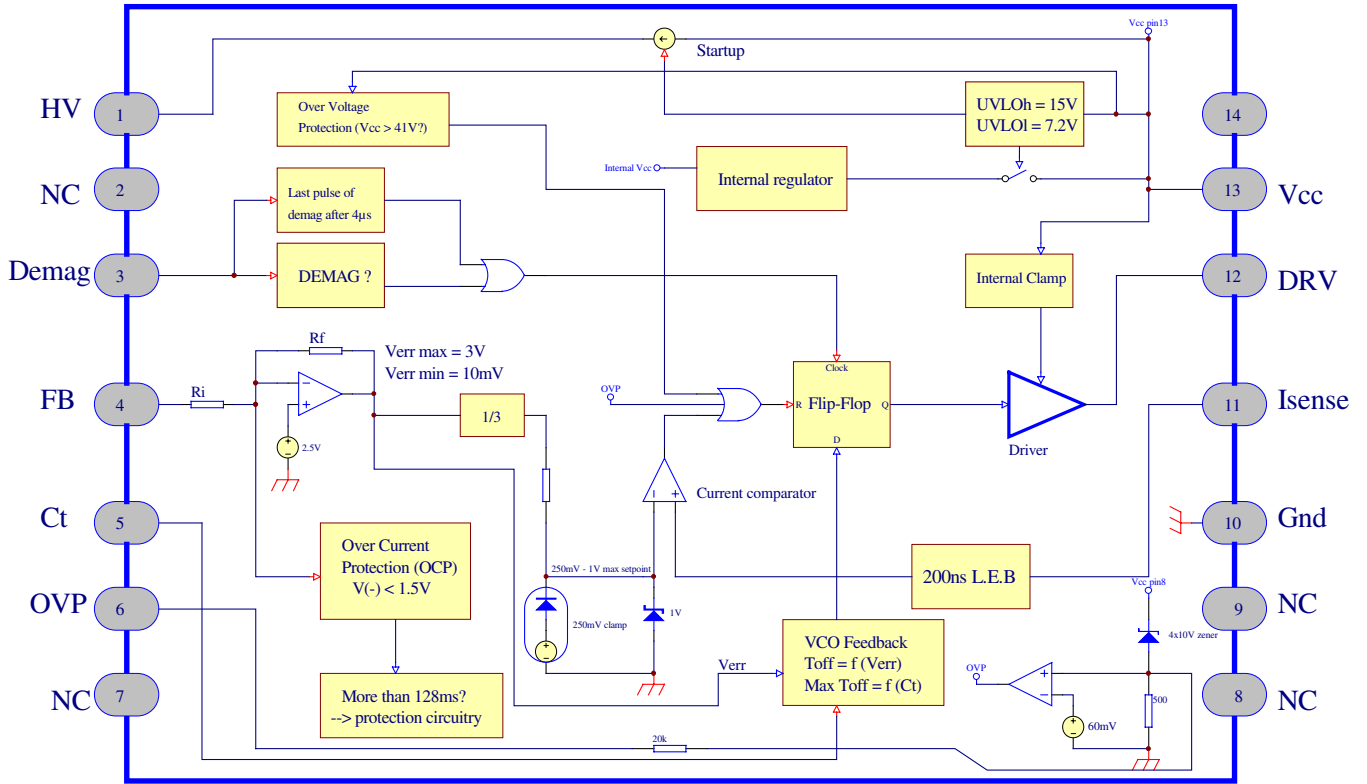
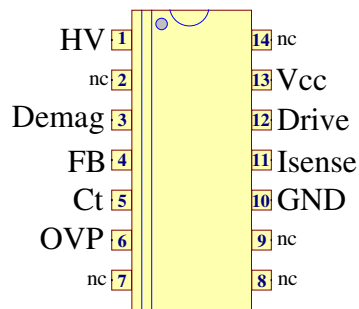


Figure 9-14 Block Diagram

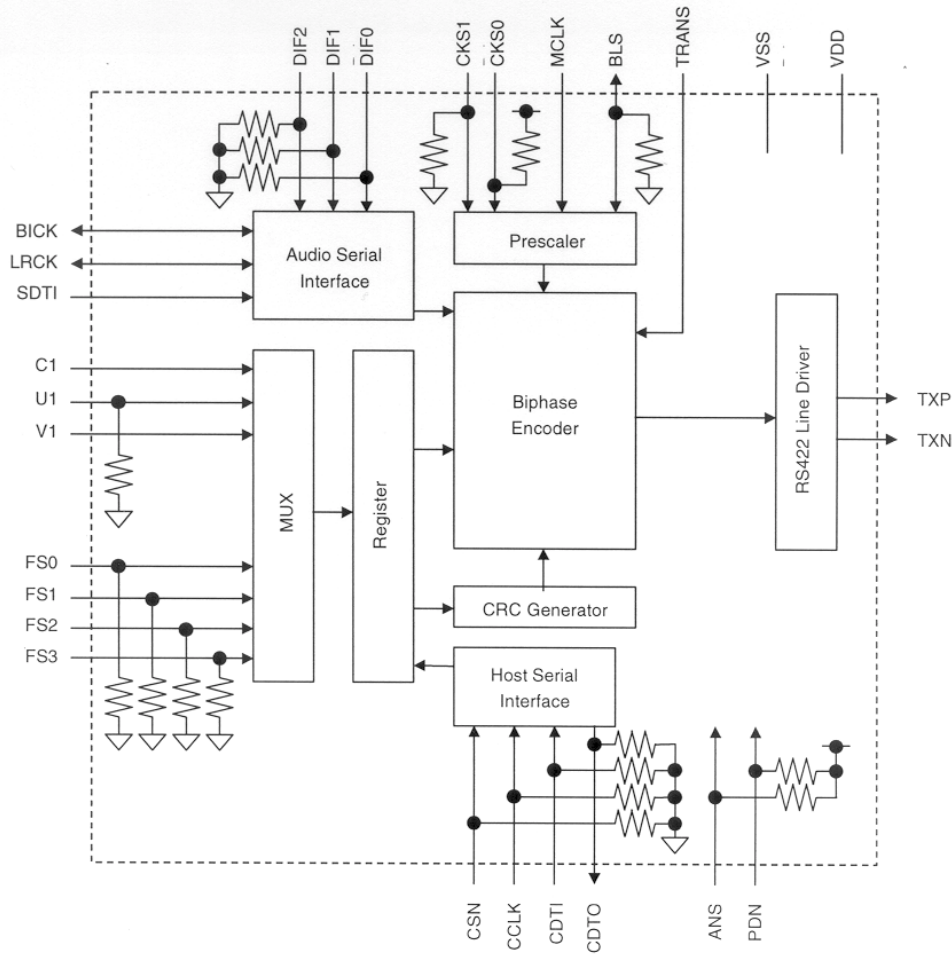


PIN CONNECTIONS

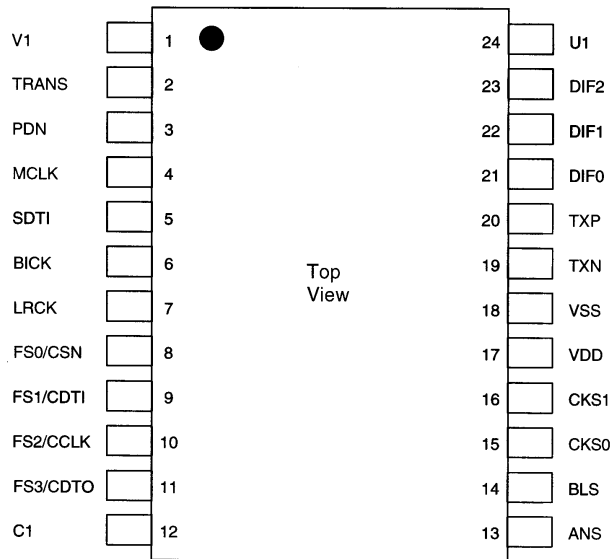
Figure 9-15 Pinning

9.9.2 Diagram A2: AK4103VF (IC7203)

■ Block Diagram



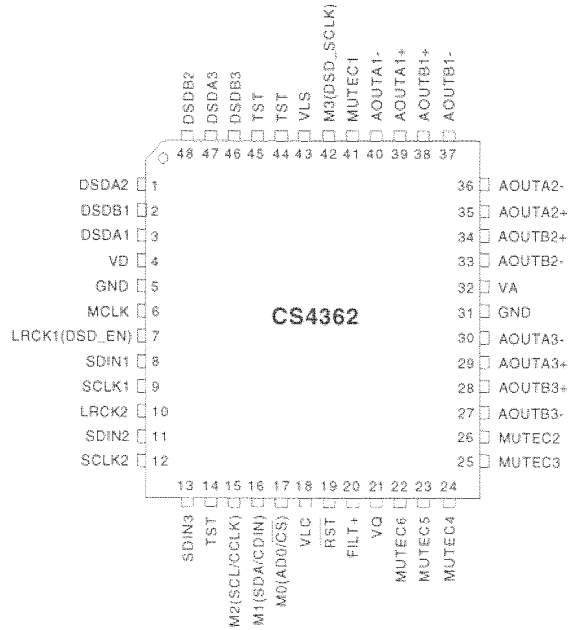
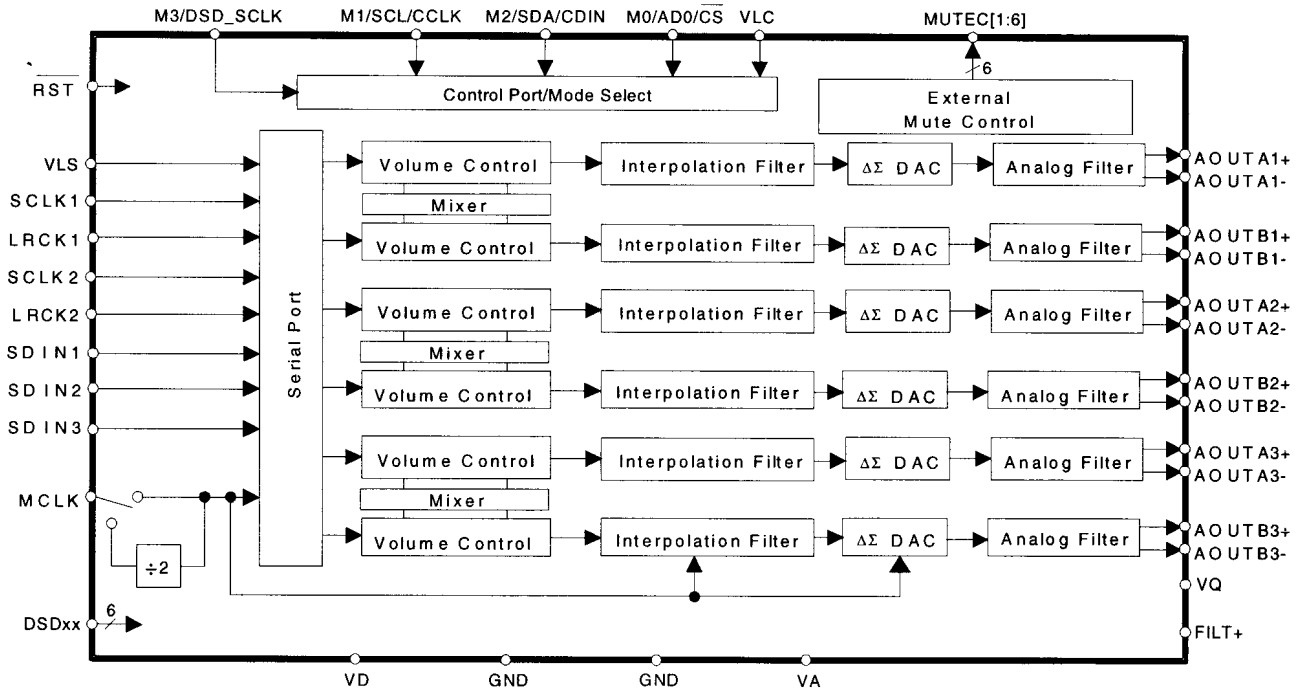
■ Pin Layout



CL 26532105_054.eps
300802

Figure 9-16 AK4103VF (IC7203)

9.9.3 Diagram A3: CS4362 (IC7300)



CL26532105_055.eps
300802

Figure 9-17 CS4362 (IC7300)

9.9.4 Diagram P1: FLI2301 (item 7100)

BLOCK DIAGRAM

Simplified Internal Block Diagram

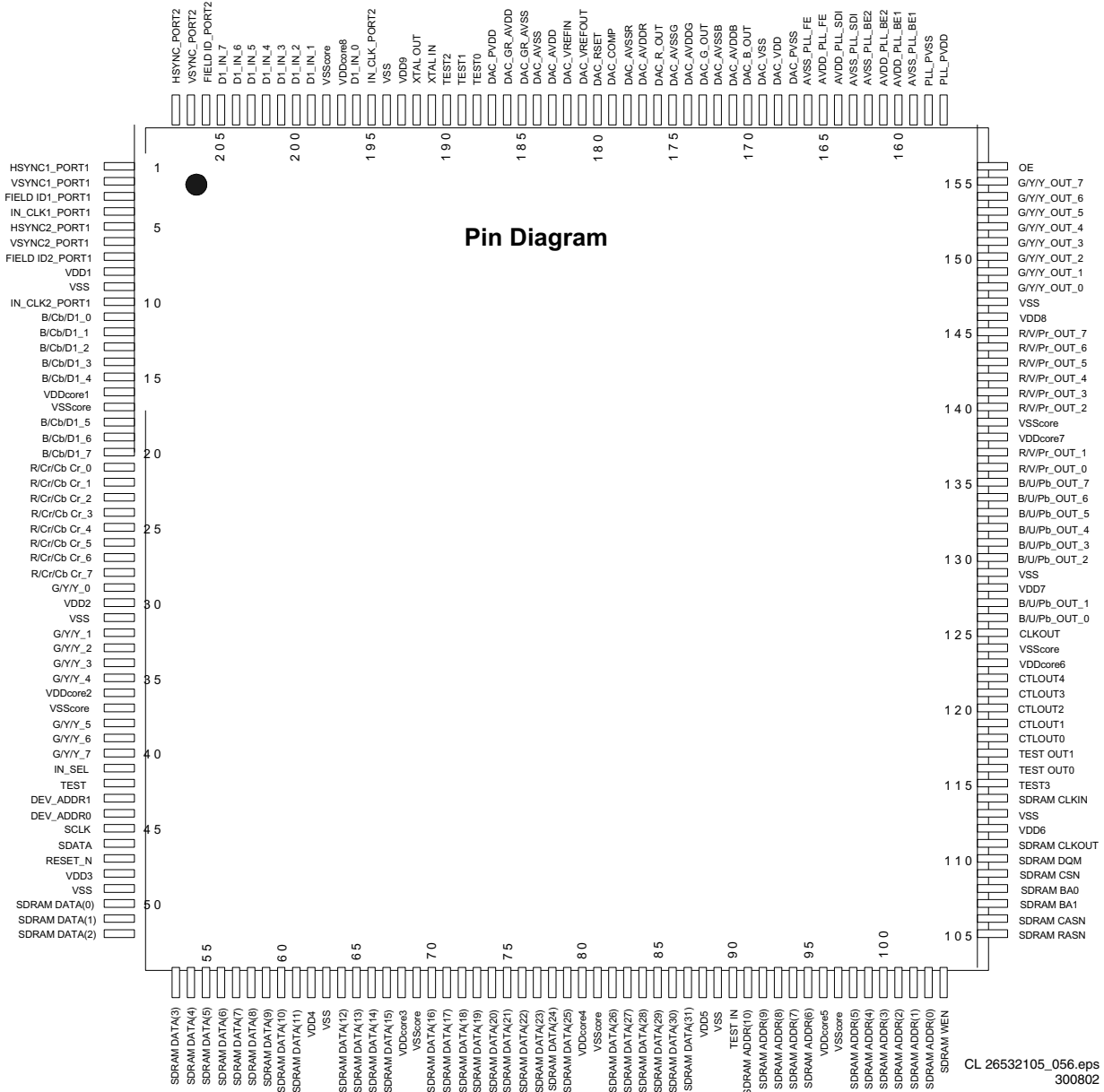
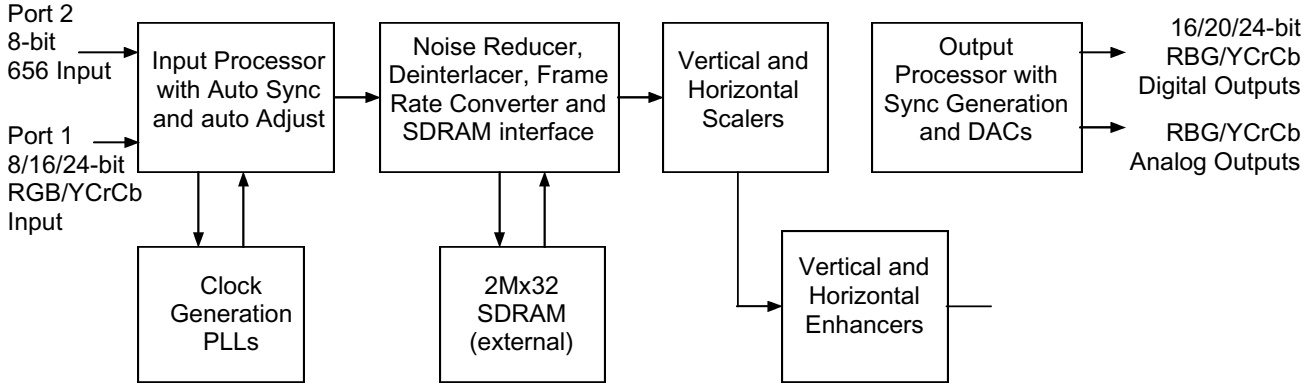


Figure 9-18 FLI2301 (item 7100)

CL 265321105_056.eps 300802

3632	4822 051 30222	2k2 5% 0.062W	7204	9352 105 20118	IC SM 74LVC161DB (PHSE) R	—H— 2102 3198 017 34730 0603 16V 47nF COL 2103 4822 124 41584 100µF 20% 10V 2104 2020 552 94427 0603 50V 100P 5% 2105 2020 552 94427 0603 50V 100P 5% 2106 2020 552 94427 0603 50V 100P 5% 2107 4822 124 81151 22µF 50V 2108 5322 126 11578 1nF 10% 50V 0603 2122 4822 126 13883 220pF 5% 50V 2123 4822 126 13883 220pF 5% 50V 2124 4822 126 14549 33nF 16V O603 2127 4822 124 40207 100µF 20% 25V 2129 3198 017 34730 0603 16V 47nF COL 2131 4822 126 14549 33nF 16V O603 2135 4822 126 14549 33nF 16V O603 2136 4822 124 40433 47µF 20% 25V 2137 4822 122 33781 22µF 5% 50V 2138 4822 124 81151 22µF 50V 2139 4822 124 40769 4.7µF 20% 100V 2140 4822 126 14549 33nF 16V O603 2141 4822 126 14549 33nF 16V O603 2142 5322 126 11578 1nF 10% 50V 0603 2143 4822 124 81151 22µF 50V
3633	4822 051 30759	75Ω 5% 0.062W	7205	9352 105 20118	IC SM 74LVC161DB (PHSE) R	
3634	4822 051 30103	10k 5% 0.062W	7206	9352 424 10118	IC SM 74LVC04ADB (PHSE) R	
3635	4822 051 30103	10k 5% 0.062W	7207	9322 186 80668	IC SM 74AC00M (ST00) R	
3636	4822 051 30103	10k 5% 0.062W	7220	5322 130 60159	BC846B	
3637	4822 117 12902	8k2 1% 0.063W 0603	7221	5322 130 60159	BC846B	
3638	4822 051 30183	18k 5% 0.062W	7222	5322 130 60159	BC846B	
3639	4822 051 30101	100Ω 5% 0.062W	7300	9322 177 92671	IC SM CS4362-KQ (CILO) Y	
3640	4822 051 30222	2k2 5% 0.062W	7301	9322 178 69668	IC SM AD1955ARS (ANA0) R	
3641	4822 051 30689	68Ω 5% 0.063W 0603 RC21 RST SM	7400	5322 209 14481	HEF4053BT	
3642	4822 051 30689	68Ω 5% 0.063W 0603 RC21 RST SM	7401	4822 209 30095	LM833D	
3643	4822 051 30101	100Ω 5% 0.062W	7402	4822 209 30095	LM833D	
3644	4822 051 30101	100Ω 5% 0.062W	7403	9322 184 52668	IC SM AD8022AR (ANA0) R	
3645	4822 051 30222	2k2 5% 0.062W	7404	9322 184 52668	IC SM AD8022AR (ANA0) R	
3646	4822 051 30689	68Ω 5% 0.063W 0603 RC21 RST SM	7405	9322 190 07685	IC SM AD8032AR (ANA0) R	
3647	4822 051 30222	2k2 5% 0.062W	7420	4822 130 42804	BC817-25	
3648	4822 051 30689	68Ω 5% 0.063W 0603 RC21 RST SM	7501	9352 202 10118	IC SM NE5532AD8 (PHSE) R	
3652	4822 051 30562	5k6 5% 0.063W 0603 RC21 RST SM	7502	9352 202 10118	IC SM NE5532AD8 (PHSE) R	
3653	4822 051 30103	10k 5% 0.062W	7521	4822 130 42804	BC817-25	
3655	4822 051 30562	5k6 5% 0.063W 0603 RC21 RST SM	7522	4822 130 60373	BC856B	
3659	4822 117 11151	1Ω 5%	7523	4822 130 42804	BC817-25	
3661	4822 117 11152	4Ω7 5%	7525	4822 130 42804	BC817-25	
3664	4822 117 11151	1Ω 5%	7527	4822 130 42804	BC817-25	
3665	4822 051 30689	68Ω 5% 0.063W 0603 RC21 RST SM	7529	4822 130 42804	BC817-25	
3666	4822 117 11151	1Ω 5%	7531	4822 130 42804	BC817-25	
3667	4822 117 11151	1Ω 5%	7533	4822 130 42804	BC817-25	
3669	4822 051 30101	100Ω 5% 0.062W	7535	4822 130 42804	BC817-25	
3670	4822 051 30101	100Ω 5% 0.062W	7536	4822 130 60373	BC856B	
3671	4822 051 30472	4k7 5% 0.062W	7537	5322 130 60159	BC846B	
3672	4822 117 12903	1k8 1% 0.063W 0603	7538	4822 130 60373	BC856B	
3673	4822 051 30569	56Ω 5% 0.062W	7541	4822 130 60373	BC856B	
3674	4822 051 30332	3k3 5% 0.062W	7542	4822 130 60373	BC856B	
3675	4822 051 30332	3k3 5% 0.062W	7543	4822 130 60373	BC856B	
3676	4822 051 30332	3k3 5% 0.062W	7600	4822 209 17398	LD1117DT33	
3677	4822 051 30471	470Ω 5% 0.062W	7601	9322 134 86668	LF80C	
3678	4822 051 30222	2k2 5% 0.062W	7602	9322 163 71668	IC SM MC79M08BDT (ONSE) R	
3679	4822 051 30221	220Ω 5% 0.062W	7603	9322 140 81668	IC SM LF50CDT (ST00) R	
3680	4822 051 30684	680k 5% 0.062W	7604	9322 155 28667	OPT FIB CON GP1FA550TZ (SRPJL)	
3681	4822 051 30333	33k 5% 0.062W	7620	5322 130 60159	BC846B	
3682	4822 051 30562	5k6 5% 0.063W 0603 RC21 RST SM	7621	4822 130 42804	BC817-25	
3683	4822 051 30103	10k 5% 0.062W	7622	4822 130 42804	BC817-25	
3684	4822 051 30103	10k 5% 0.062W	7623	4822 130 42804	BC817-25	
5300	4822 157 10586	2.2µH 10% 0805	7624	4822 130 42804	BC817-25	
5301	4822 157 10586	2.2µH 10% 0805	7625	4822 130 42804	BC817-25	
5601	2422 535 94092	IND FXD SM 0805 33U PM10 R	7626	4822 130 42804	BC817-25	
5602	2422 535 94092	IND FXD SM 0805 33U PM10 R	7627	5322 130 60159	BC846B	
5603	2422 535 94092	IND FXD SM 0805 33U PM10 R	7628	5322 130 60159	BC846B	
5606	4822 157 11074	100µH	7630	5322 130 60159	BC846B	
5607	4822 157 70601	100µH (920927085A)	7631	4822 130 42804	BC817-25	
6500	4822 130 11397	BAS316	7632	4822 130 42804	BC817-25	
6602	4822 130 11522	UDZ15B	7633	4822 130 42804	BC817-25	
6603	4822 130 11522	UDZ15B	7636	4822 130 60373	BC856B	
6604	4822 130 11522	UDZ15B	7638	5322 130 60159	BC846B	
6606	4822 130 11397	BAS316	7641	9322 163 53685	FET POW SM IRLML2502 (INR0) R	
6607	4822 130 11522	UDZ15B	7642	5322 130 60159	BC846B	
7100	9965 000 06673	TC7WHU04FU	7643	5322 130 60159	BC846B	
7101	9965 000 06673	TC7WHU04FU	Front PWB			
7102	4822 209 17441	74LVC74AD	Various			
7103	9965 000 06673	TC7WHU04FU	0002	3139 244 00440	FTD HOLDER DVD711	
7105	9352 499 60118	IC SM 74LVC00AD (PHSE) R	1100	4822 267 10565	4P	
7106	9352 499 60118	IC SM 74LVC00AD (PHSE) R	1101	4822 276 13775	SWITCH	
7107	5322 209 11578	PCF8574T	1102	4822 276 13775	SWITCH	
7121	9965 000 04199	BSN20	1103	4822 276 13775	SWITCH	
7122	9965 000 04199	BSN20	1104	4822 276 13775	SWITCH	
7200	4822 209 17455	74LVC157AD	1105	4822 276 13775	SWITCH	
7201	9322 177 89668	IC SM AD1895YRS (ANA0) R	1106	4822 276 13775	SWITCH	
7202	9352 115 40118	IC SM 74LVC245APW (PHSE) R	1108	4822 267 10574	CON BM V 8P 2.50	
7203	9322 178 30669	IC SM AK4103VF (AKM0) R	1111	3139 240 50231	VFD 15-MT-70GNK (FTBO) Y	
			1112	4822 276 13775	SWITCH	
			1113	4822 276 13775	SWITCH	
			1114	4822 276 13775	SWITCH	
			1119	4822 242 72066	CST8.00MT	
			1201	4822 276 13775	SWITCH	
			1205	4822 267 10567	4P	
					—H—	
					6100 9340 255 30135 BAS216	
					6101 9965 000 04709 UDZ6.2BTE-17	
					6103 9340 255 30135 BAS216	
					6104 9322 185 23676 LED VS LTL1CHTDK3 (LITO) A	
					6105 9322 185 23676 LED VS LTL1CHTDK3 (LITO) A	
					6106 9322 185 23676 LED VS LTL1CHTDK3 (LITO) A	

SCART PWB**Various**

1000	2422 025 12352	CON BM EURO H 21P F BK GRND-L
1001	2422 025 12352	CON BM EURO H 21P F BK GRND-L
1300	2422 025 16526	CON BM V 22P F 1.00 FFC 0.3 R

-II-

2100	4822 124 11947	10µF 20% 16V
2101	4822 124 40207	100µF 20% 25V
2102	4822 126 14305	100nF 10% 16V 0603
2103	4822 126 14305	100nF 10% 16V 0603
2104	4822 126 14305	100nF 10% 16V 0603
2105	4822 122 33777	47pF 5% 63V
2106	4822 122 33777	47pF 5% 63V
2107	4822 126 14305	100nF 10% 16V 0603
2108	4822 126 14305	100nF 10% 16V 0603
2109	4822 126 14305	100nF 10% 16V 0603
2110	4822 124 41584	100µF 20% 10V
2111	4822 126 14494	22nF 10% 25V 0603
2112	4822 126 14305	100nF 10% 16V 0603
2113	4822 126 14305	100nF 10% 16V 0603
2114	3198 017 44740	0603 10V 470nF COL
2115	3198 017 44740	0603 10V 470nF COL
2116	3198 017 44740	0603 10V 470nF COL
2117	4822 124 11947	10µF 20% 16V
2118	4822 124 11947	10µF 20% 16V
2119	4822 124 21732	10µF 20% 25V
2120	3198 017 44740	0603 10V 470nF COL
2121	4822 124 40207	100µF 20% 25V
2122	4822 126 14305	100nF 10% 16V 0603
2200	4822 124 12032	4.7µF 20% 50V
2201	4822 126 13883	220pF 5% 50V
2202	4822 124 12032	4.7µF 20% 50V
2203	4822 124 12032	4.7µF 20% 50V
2204	4822 124 12032	4.7µF 20% 50V
2205	4822 122 31765	100pF 2% 63V 1206
2206	4822 126 13883	220pF 5% 50V
2207	4822 126 13883	220pF 5% 50V
2208	4822 126 13883	220pF 5% 50V
2209	4822 126 13883	220pF 5% 50V
2210	4822 126 13883	220pF 5% 50V
2211	4822 124 21732	10µF 20% 25V
2212	4822 124 12032	4.7µF 20% 50V
2213	4822 124 12032	4.7µF 20% 50V
2214	4822 124 12032	4.7µF 20% 50V
2215	4822 124 12032	4.7µF 20% 50V
2216	4822 126 13883	220pF 5% 50V
2217	4822 126 13883	220pF 5% 50V
2218	4822 122 31765	100pF 2% 63V 1206
2219	4822 124 11947	10µF 20% 16V
2220	4822 126 13883	220pF 5% 50V
2221	4822 124 11947	10µF 20% 16V
2222	4822 126 13883	220pF 5% 50V
2223	4822 126 13883	220pF 5% 50V
2224	4822 126 13883	220pF 5% 50V
2225	4822 124 21732	10µF 20% 25V
2226	4822 126 13883	220pF 5% 50V

-III-

3100	4822 117 11152	4Ω 7 5%
3102	4822 051 30103	10k 5% 0.062W
3104	4822 051 30472	4k7 5% 0.062W
3105	4822 051 30103	10k 5% 0.062W
3106	4822 051 30103	10k 5% 0.062W
3107	4822 051 30101	100Ω 5% 0.062W
3108	4822 051 30101	100Ω 5% 0.062W
3109	4822 051 30472	4k7 5% 0.062W
3110	4822 051 30103	10k 5% 0.062W
3111	4822 051 30102	1k 5% 0.062W
3112	4822 051 30472	4k7 5% 0.062W
3113	4822 051 30103	10k 5% 0.062W
3114	4822 051 30471	470Ω 5% 0.062W
3115	4822 051 30471	470Ω 5% 0.062W
3116	4822 051 30103	10k 5% 0.062W
3117	4822 051 30472	4k7 5% 0.062W
3200	4822 051 30221	220Ω 5% 0.062W
3201	4822 117 12925	47k 1% 0.063W 0603
3202	4822 051 30471	470Ω 5% 0.062W
3203	4822 051 30273	27k 5% 0.062W
3204	4822 117 12925	47k 1% 0.063W 0603
3205	4822 051 30221	220Ω 5% 0.062W
3206	4822 117 12925	47k 1% 0.063W 0603
3207	4822 051 30273	27k 5% 0.062W
3208	4822 117 12925	47k 1% 0.063W 0603

3209	4822 051 30471	470Ω 5% 0.062W
3210	4822 051 30471	470Ω 5% 0.062W
3211	4822 051 30101	100Ω 5% 0.062W
3212	4822 051 30689	68Ω 5% 0.063W 0603 RC21 RST SM
3213	4822 051 30471	470Ω 5% 0.062W
3214	4822 051 30471	470Ω 5% 0.062W
3215	4822 051 30101	100Ω 5% 0.062W
3216	4822 051 30689	68Ω 5% 0.063W 0603 RC21 RST SM
3217	4822 051 30151	150Ω 5% 0.062W
3218	4822 051 30101	100Ω 5% 0.062W
3219	4822 051 30472	4k7 5% 0.062W
3220	4822 051 30472	4k7 5% 0.062W
3221	4822 051 30472	4k7 5% 0.062W
3222	4822 117 13632	100k 1% 0603 0.62W
3223	4822 051 30471	470Ω 5% 0.062W
3224	4822 051 30151	150Ω 5% 0.062W
3225	4822 051 30471	470Ω 5% 0.062W
3226	4822 051 30472	4k7 5% 0.062W
3227	4822 051 30471	470Ω 5% 0.062W
3228	4822 051 30222	2k2 5% 0.062W
3229	4822 051 30689	68Ω 5% 0.063W 0603 RC21 RST SM
3230	4822 051 30759	75Ω 5% 0.062W
3231	4822 051 30561	560Ω 5% 0.062W
3232	4822 051 30101	100Ω 5% 0.062W
3233	4822 051 30471	470Ω 5% 0.062W
3234	4822 051 30339	33Ω 5% 0.062W
3235	4822 051 30689	68Ω 5% 0.063W 0603 RC21 RST SM
3236	4822 051 30472	4k7 5% 0.062W
3237	4822 051 30562	5k6 5% 0.063W 0603 RC21 RST SM
3238	4822 051 30479	47Ω 5% 0.062W
3239	4822 051 30472	4k7 5% 0.062W
3240	4822 051 30102	1k 5% 0.062W
3241	4822 117 12925	47k 1% 0.063W 0603
3242	4822 051 30471	470Ω 5% 0.062W
3243	4822 117 12925	47k 1% 0.063W 0603
3244	4822 051 30272	2k7 5% 0.062W
3245	4822 051 30102	1k 5% 0.062W
3246	4822 117 12925	47k 1% 0.063W 0603
3247	4822 051 30471	470Ω 5% 0.062W
3248	4822 117 12925	47k 1% 0.063W 0603
3249	4822 051 30102	1k 5% 0.062W
3250	4822 117 12925	47k 1% 0.063W 0603
3251	4822 051 30471	470Ω 5% 0.062W
3252	4822 051 30471	470Ω 5% 0.062W
3253	4822 051 30472	4k7 5% 0.062W
3254	4822 051 30759	75Ω 5% 0.062W
3255	4822 051 30472	4k7 5% 0.062W
3257	4822 051 30759	75Ω 5% 0.062W
3258	4822 051 30471	470Ω 5% 0.062W
3259	4822 051 30339	33Ω 5% 0.062W
3260	4822 051 30561	560Ω 5% 0.062W
3261	4822 051 30472	4k7 5% 0.062W
3262	4822 051 30759	75Ω 5% 0.062W
3263	4822 051 30472	4k7 5% 0.062W
3264	4822 051 30479	47Ω 5% 0.062W
3266	4822 051 30759	75Ω 5% 0.062W
3267	4822 051 30472	4k7 5% 0.062W
3268	4822 051 30101	100Ω 5% 0.062W
3269	4822 051 30689	68Ω 5% 0.063W 0603 RC21 RST SM
3270	4822 051 30471	470Ω 5% 0.062W
3271	4822 051 30759	75Ω 5% 0.062W
3272	4822 051 30273	27k 5% 0.062W
3273	4822 117 12925	47k 1% 0.063W 0603
3275	4822 051 30272	2k7 5% 0.062W
3276	4822 051 30472	4k7 5% 0.062W
3277	4822 051 30561	560Ω 5% 0.062W
3278	4822 051 30561	560Ω 5% 0.062W

-IV-

6208 9340 548 63115 PDZ15B



7102	4822 130 60511	BC847B
7103	4822 130 60511	BC847B
7104	4822 130 60511	BC847B
7105	4822 130 60511	BC847B
7106	4822 130 40854	BC327
7200	4822 130 42804	BC817-25
7201	4822 130 42804	BC817-25
7202	4822 130 60511	BC847B
7203	4822 130 60511	BC847B
7204	4822 130 60511	BC847B
7205	4822 130 60373	BC856B
7206	4822 130 60511	BC847B

7207	4822 130 60511	BC847B
7208	4822 130 60511	BC847B
7209	4822 130 60511	BC847B
7210	4822 130 42804	BC817-25
7211	4822 130 42804	BC817-25
7212	4822 130 60511	BC847B
7213	4822 130 60373	BC856B
7214	4822 130 60511	BC847B
7215	4822 130 42804	BC817-25
7216	4822 130 42804	BC817-25
7217	4822 130 60511	BC847B
7218	4822 130 60511	BC847B
7219	4822 130 42804	BC817-25
7220	4822 130 42804	BC817-25
7500	9322 134 86668	LF80C
7501	9322 135 59671	STV6411AD